



LOCINOX

Gate hardware
and access control
for professionals

Product Catalogue

WHY LOCK

Everything for your gate

Gate closers	15
Tiger	19
Mammoth	20
Panther	22
Samson-2	23
Lion	24
Rhino	26
Verticlose-2	27
Serval	28
Caracal	29
Automation & Electronics	31
Magnus	36
Venus	37
Helios	40
Electromagnetic locks	47
Turnstiles	63
Locks	69
Keeps	109
Hinges	129
Drop bolts & Ground catchers	161
Gate catchers	171
Tools	175
Accessories	181
Marketing tools	215





INOX?

Innovation

A motivated team of engineers and prototypers works hard on a daily basis to further expand the Locinox range with new products.

Weatherproof

With stainless steel and non-ferro metals as raw materials for its products, combined with the best surface treatment, our products maintain high standards and have a longer life cycle than cheaper alternatives.

Industrial quality

Locinox products are tested extensively by our R&D department in the most extreme circumstances, up to a minimum of 500.000 movements before bringing it to the market.

Ease of installation

Our products guarantee fast installation and very solid fixation. Thanks to the special tools, the patented Quick-Fix and the Plug & Play design - installation happens in a blink of an eye.

Loc-E-Shop

We continue to invest in our services and have turned our Loc-E-Shop into our most popular internal sales colleague, working 24/7 and processing nearly 90% of our orders every month. The Loc-E-Shop allows you to take full control of your orders at any time, wherever you are.

Modularity

The products in our range are designed for maximum interchangeability. A large number of combinations is possible to ensure maximum flexibility according to your clients' needs. Even after installation, our products can be easily adjusted and/or replaced.

At your service

Our sales team is easy to reach and promptly replies by phone or e-mail in 7 supported languages. They will supply the correct product information and are happy to help you in choosing the right solution for the given situation.

Custom assembly & packaging

The modularity of our products allows you to choose from many different configurations. Locinox will assemble every possible configuration upon request. Moreover, our logistics guarantee a shipment of our catalogue products within 24h after your order.

5 Years of premium Warranty

Enjoy 5 years of worry-free use on all our mechanical products. Go to locinox.com/warranty and activate your additional 2 years warranty to enjoy 5 years of peace of mind. Because we care.

LATEST INNOVATION



Venus

Motorised gate closer for pedestrian swing gates

[p.37](#)



Magnus

Motorised hinge & gate closer in one for pedestrian gates

[p.35](#)

ONS



Unilec

Electric insert keep for insert locks

[p.123](#)

***“Challenging tradition with
the power of innovation”***

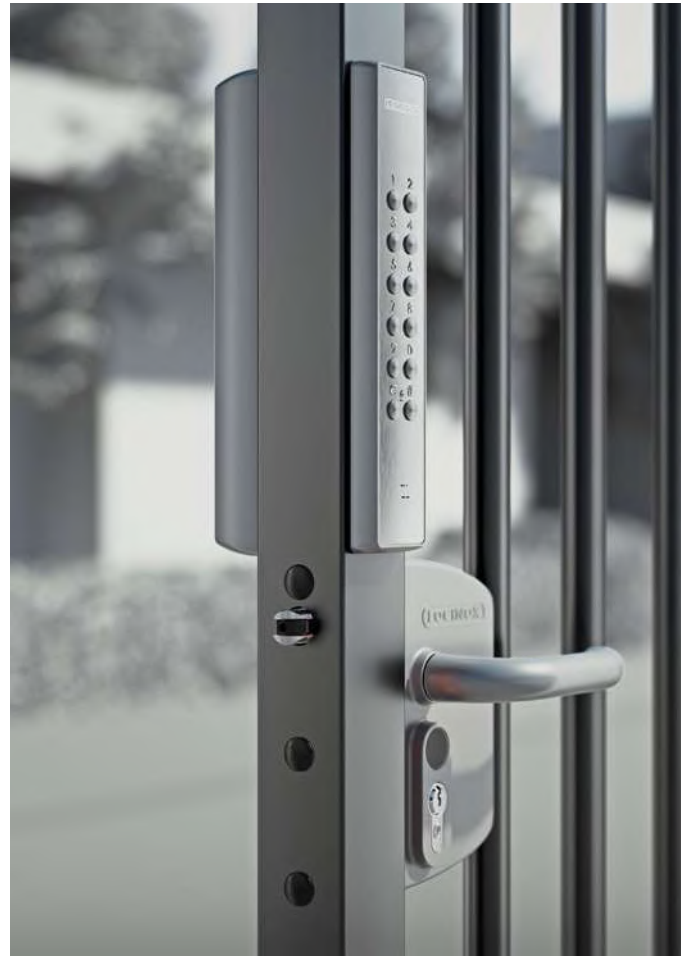
Every innovation starts with an idea or suggestion. We keep an eye on the latest developments in the market and our sales team listens to the challenges you face every day. With innovation in their DNA, our engineers gather every piece of information and get to work with our core values at heart: product quality, easy installation, reliability and flexibility.



Vera

Battery powered code lock for insert locks

[p.101](#)



Volta

Surface mounted lock with external battery powered keypad

[p.76](#)

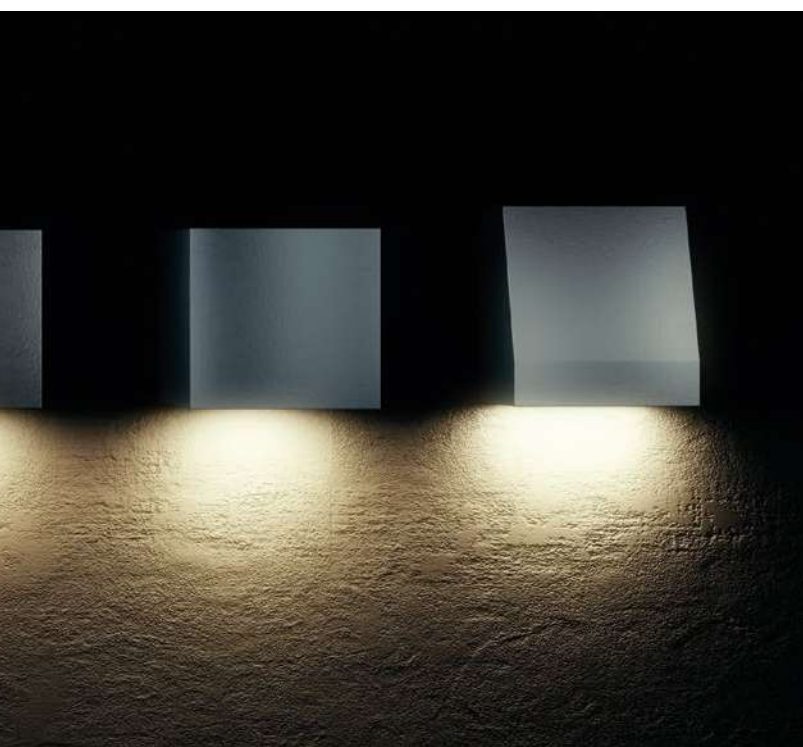




Handles

A handful of new handle options

[p.184](#)



Helios

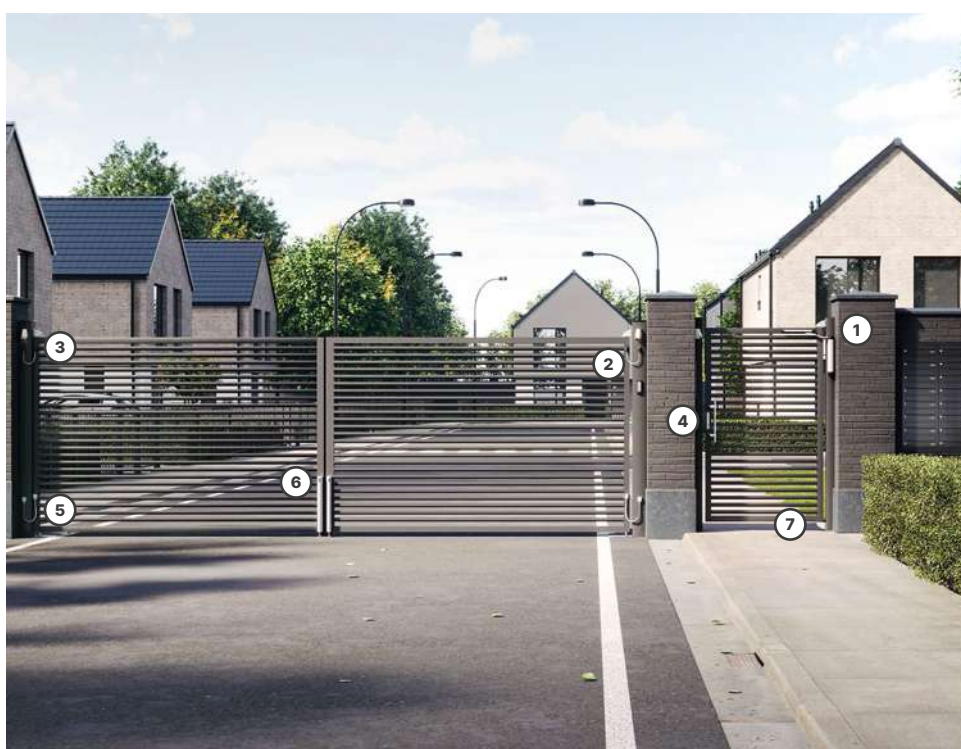
Architectural outdoor lighting

[p.40](#)

CONCEPT



- 1 HELIOS CONE55
- 2 VERA
+ FIFTYLOCK
+ 3006PAD-H
- 3 SFKU-V
- 4 B-SAFE
- 5 RHINO
- 6 GBMU4D16



- 1 VERTICLOSE-2
- 2 U-SAFE
- 3 HELIOS CONE85
- 4 BAR-I-90
- 5 DVK
- 6 ELECTRADROP
+ SABO
- 7 BEARING HINGE

S



- 1 HELIOS CUBE55
- 2 FIFTYLOCK
 - + SFKU
 - + 3006PAD
- 3 B-SAFE
- 4 VSF & EGS
- 5 UNIWING
- 6 BOLTONHD-4D-



- 1 TURNITEC
- 2 VALENTINO
 - + SH-KLQF
- 3 VENUS-G
- 4 U-SAFE
- 5 GBMU4D16

LOGISTICS



24 hours

Thanks to a fully automated warehouse, your order is guaranteed to be shipped within 24 hours of receipt



Miniload

The miniload is the heart of our logistics, with space for 90,000 bins. Thanks to a speed of 1,200 bins per hour, the product you need reaches the packaging line within 2 minutes



Set assembly

This is where your all-in-one sets are assembled in durable, weatherproof boxes. From locks to drop bolts or customised configurations, each set includes everything you need for a quick and seamless installation

RESEARCH DEVELOPMENT



Product development

By following the latest market trends and listening to your daily challenges, our dedicated team of engineers gets to work. Guided by our core values—quality, reliability, flexibility, and easy installation—they develop innovative solutions designed to serve you better.



Test chamber

To guarantee top performance, we test every product in extreme conditions. From salt spray and climate simulation to load testing, we make sure they perform in every situation.

H & MENT



Prototyping

This is where your future solutions are brought to life. Our prototyping team works side by side with R&D, only separated by a glass wall, to develop a product that exceeds your expectation.



Gate closers

Hydraulic gate closers will transform any gate into a self-closing solution. Comfort, safety and peace of mind are guaranteed thanks to pure hydraulic power. High-quality components ensure Locinox closers to be 100% weatherproof, maintenance-free and extremely durable. A constant and consistent functioning is guaranteed during an ice cold winter or a sweltering summer. The unique concept ensures an easy and efficient fixation thanks to the patented Quick-Fix system. Moreover, closing speed and final snap can be adjusted very precisely and 100% to your customers' wishes.

Cutting edge self-closing technology

A consistent closing speed

From freezing winter to sizzling summer. If your gate closes too slow, children or pets could sneak through. If your gate closes too fast, it might become a problem for wheelchair users. A loud slamming gate is not only annoying for you or your neighbours, it's also harmful for your gate.

The Active Thermal System, our own cutting-edge development, guarantees a constant closing speed, regardless of the outside temperature.

Adjust speed and final snap precisely

Some customers prefer their gate to close slowly, while others want it to go a little faster. No problem! All of our hydraulic gate closers can easily be adjusted in a matter of seconds to the wishes of your customers.

The final snap allows the gate to speed up a little at the end: this way, you are reassured the gate is properly closed. The final snap can easily be adjusted to any need.

Functions comfortably

The in-house developed High-Helix screws guarantee a consistent functionality and ensure a comfortable closing speed for the elderly or disabled.

Dust- & waterproof

Our gate closers are equipped with rotary seals. These seals protect the gate closers from dirt and dust particles intruding the mechanism, assuring your customers of worry-free functioning for many years to come.

Closes every time

The powerful torsion spring guarantees the necessary closing force. Therefore, your gate will always close: unaffected by strong winds, the width of your gate wing or the outside temperature. You can rest assured.

100% Protected

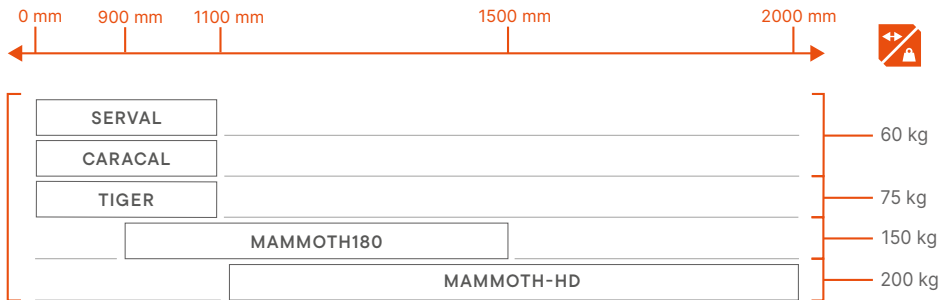
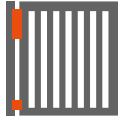
The aluminium housing guarantees full protection against any weather conditions. The housing is windproof, frostfree and dust- & waterproof, allowing your gate closer to function perfectly.



Find the perfect gate closer

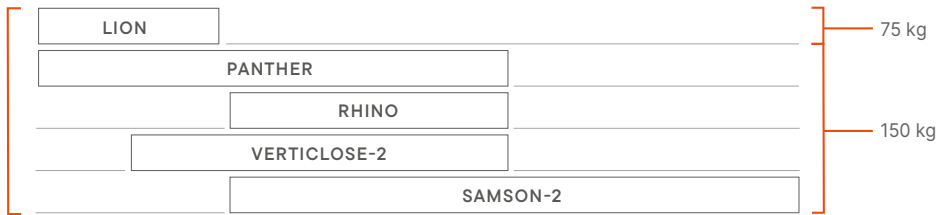
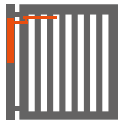
GATE CLOSER & HINGE IN ONE

NEW FIT



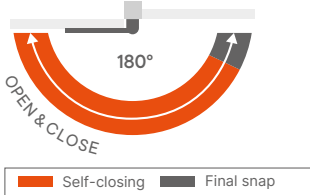
USE WITH EXISTING HINGES

RETRO FIT

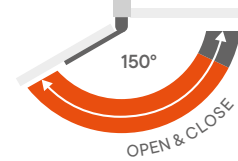


OPENING ANGLE

ALL LOCINOX GATE CLOSERS

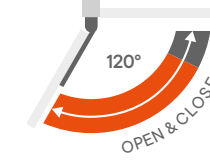


SAMSON-2



Max. 150° depending on position of hinge and gate closer

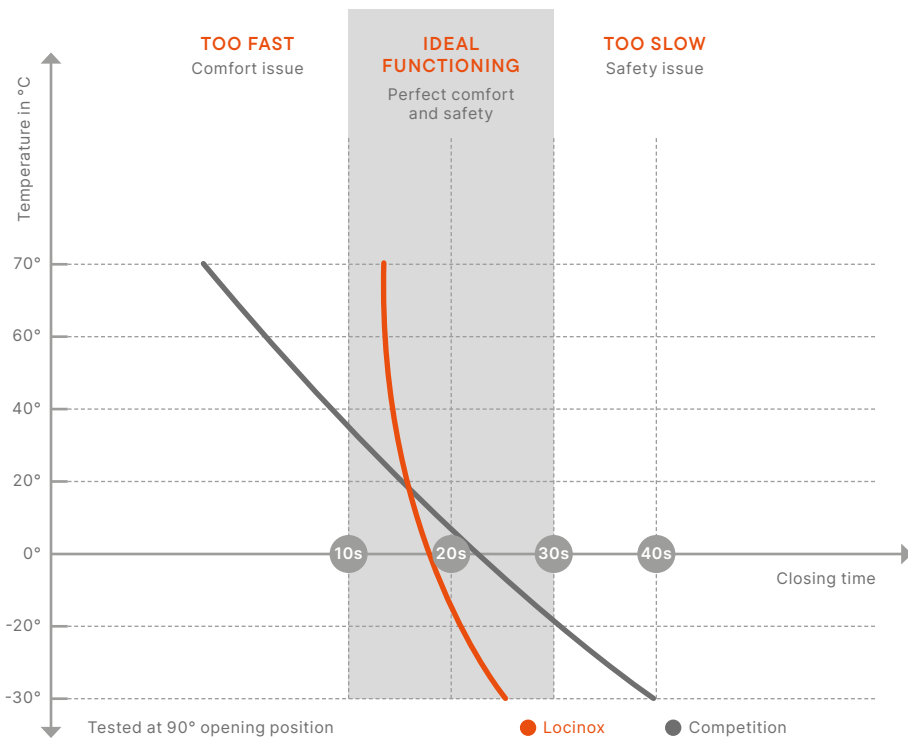
PANTHER



Depending on position of hinge and gate closer

Recommended gate width

Temperature resistance



Locinox gate closers, why?



Safe for
wheelchair
users



Exceptional precise
adjustment of **speed &**
final snap for your **comfort**



Child & pet
friendly



Durable tested
for **500 000**
movements



Vandal
proof design



100% hydraulic
green &
maintenance free



A silent
opening & closing



Efficient **fast & easy**
installation



Extreme **weatherproof**
constant closing speed

TIGER (Patented)

Compact hinge and gate closer in one

180° self-closing hydraulic hinge with precise adjustments on speed and final snap. The aluminium powder coated housing and unique high-tech components allow the Tiger to function perfectly in any weather situation. We highly recommend the Tigerdrill for an even more efficient installation. The Puma hinge is included.

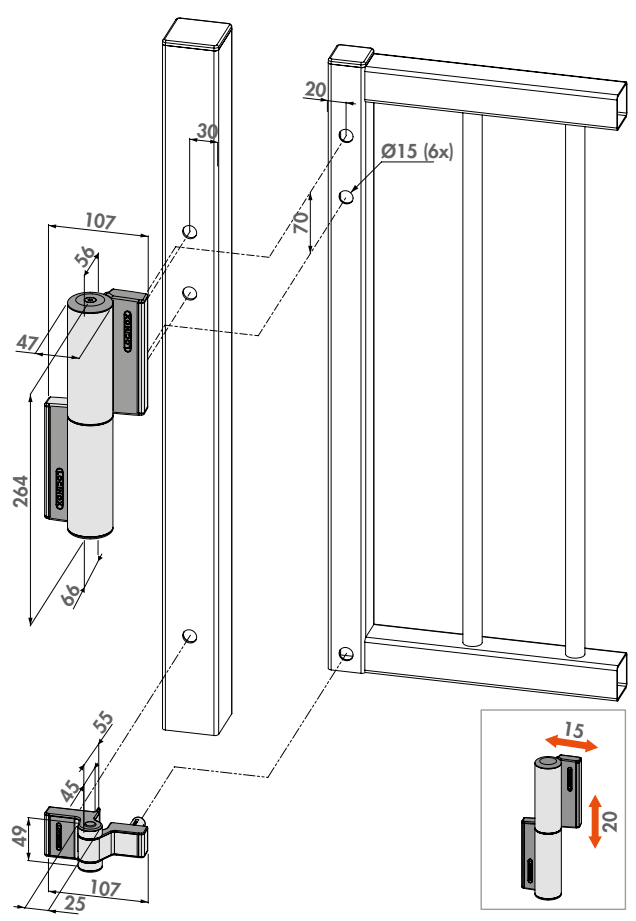


COLOR OPTIONS

- SILV
- 9005

SPECIFICATIONS

- Automatic 180° closure with adjustable closing speed and final snap
- Aesthetic design
- Powder coated aluminium housing
- Closing speed unaffected by humidity and temperature changes
- For left and right turning gates
- Fast and easy fixing with Quick-Fix
- 15 mm horizontal adjustability
- 20 mm vertical adjustability
- Easy to open: Max. 14 Nm



ORDER CODE

TIGER Hydraulic gate closer and Puma 180° hinge for gates up to 75 kg

RECOMMENDED PRODUCTS

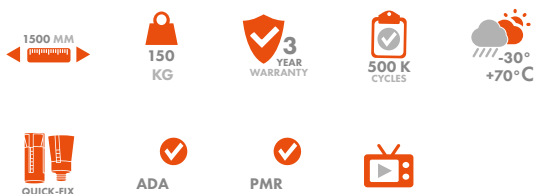


TIGERDRILL
P. 178

CLB-TIGER
P. 201

MAMMOTH180 (Patented)**Hydraulic 180° gate closer and hinge in one**

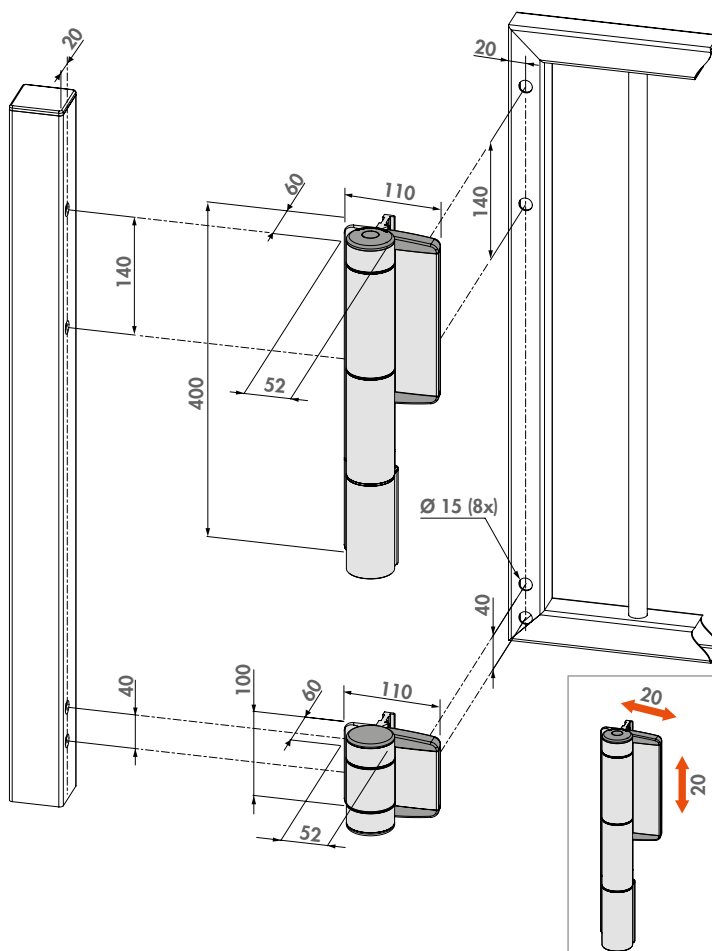
Elegant and powerful self-closing hinge for 180° gate situations. Mammoth is perfectly fit for gates up to 150 kg and 1500 mm wide. It is equipped with a double bearing for exceptional functionality. The Active Thermal System guarantees a constant closing speed, unaffected by weather conditions. The Dino hinge is included.

**COLOR OPTIONS**

SILV 9005

SPECIFICATIONS

- Self-closing hinge with patented hydraulic damping
- Aesthetic design
- Powder coated aluminium housing
- Closing speed unaffected by temperature changes
- Easy to open: Max. 16 Nm
- Vandal-proof
- For left & right turning gates
- Easy mounting with Quick-Fix
- 2-dimensionally adjustable (2 × 20 mm)

**ORDER CODE**

MAMMOTH180 Highly powerful hydraulic 180° gate closer and hinge-in-one, for gates up to 150 kg

RECOMMENDED PRODUCTS

CLB-MAMMOTH
P. 201

MAMMOTH-HD (Patented)

Highly powerful hydraulic 180° gate closer and hinge in one

This heavy-duty gate closer and hinge-in-one is fit to close the heaviest gates. The hydraulically damped Mammoth in combination with the powerful self-closing Raptor hinge is the perfect solution to close gates up to 200 kg and 2000 mm wide. Both hinges are equipped with double bearings which guarantee an extremely smooth functioning. The Active Thermal System guarantees a constant closing speed, unaffected by weather conditions. The Raptor hinge is included.

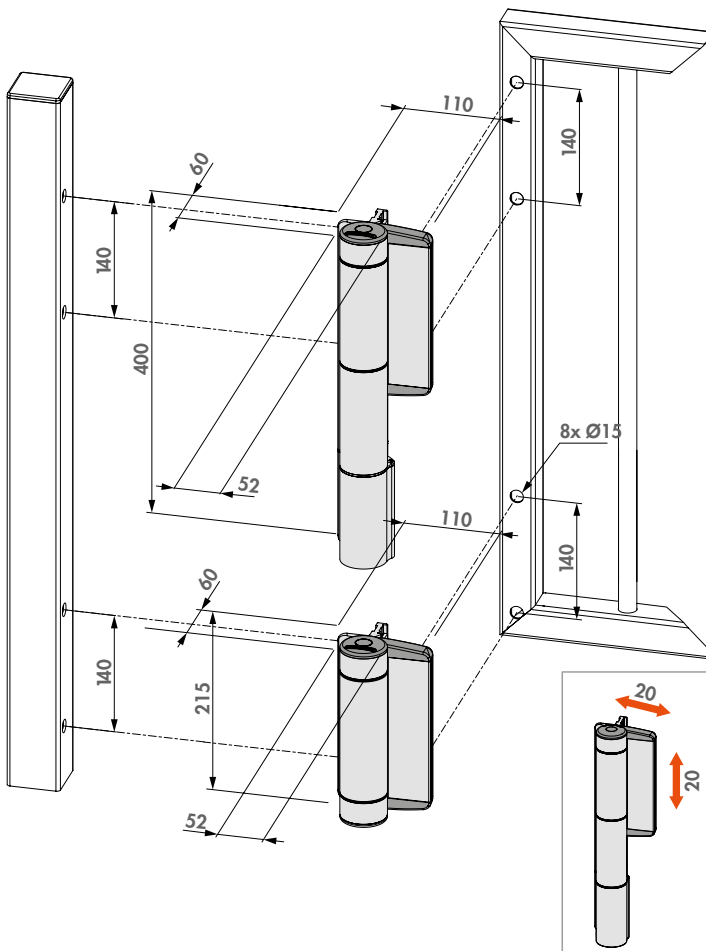


COLOR OPTIONS

SILV 9005

SPECIFICATIONS

- Self-closing hinge with patented hydraulic damping
- Aesthetic design
- Powder coated aluminium housing
- Closing speed unaffected by temperature changes
- Easy to open: Max. 32 Nm
- Vandal-proof
- For left & right turning gates
- Easy mounting with Quick-Fix
- 2-dimensionally adjustable (2 × 20 mm)



ORDER CODE

MAMMOTH-HD Highly powerful hydraulic 180° gate closer and hinge-in-one, for gates up to 200 kg

PANTHER

All-round hydraulic gate closer for wall and post mounting

Versatile, easy-to-install and compact gate closer designed specially for wall and post situations. Panther is installed above the gate or between two pillars and can precisely be adjusted to anyone's wishes. The guaranteed closing force over the full 120° opening angle results in a worry free use, regardless of the weather conditions. The aesthetic and scratch free anodized housing ensures a very long life cycle.



1500 MM



150 KG



3 YEAR WARRANTY



500 K CYCLES

-30°
+70°C

QUICK-FIX



ROSPA



ADA



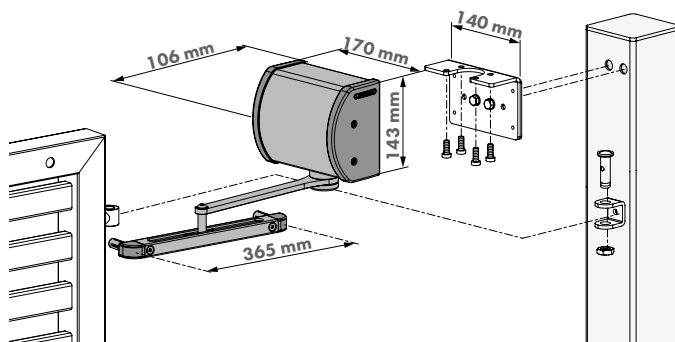
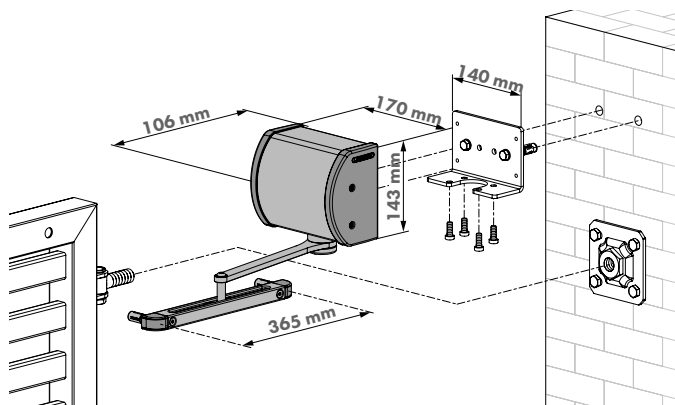
PMR

COLOR OPTIONS

9005

SPECIFICATIONS

- Self-closing gate closer with adjustable speed and final snap
- Closing speed unaffected by temperature changes
- Aesthetic & compact design
- Scratch resistant and corrosion free anodized aluminium housing
- Designed to be installed above the gate
- Integrated pre-tension for extremely smooth installation
- Closing force over the full 120° opening angle
- Recommended with Gatestop



ORDER CODE

PANTHER All-round hydraulic gate closer for wall and post mounting, for gates up to 150 kg

RECOMMENDED PRODUCTS



GATESTOP
P. 210



1034ROLL-HDG
P. 138



RAIL-FIT
P. 202

SAMSON-2 (Patented)

Hydraulic gate closer for large gates



Simple installation and versatility make it the perfect fit for larger gates. Samson-2 is a polyvalent hydraulic gate closer developed with high quality components for an exceptional long life span. Temperature changes do not affect the smooth and constant functionality. The set of mounting brackets that are delivered with the closer make Samson-2 fit for any gate.

2000 MM
150 KG
3 YEAR WARRANTY
500 K CYCLES
-30°
+70°C

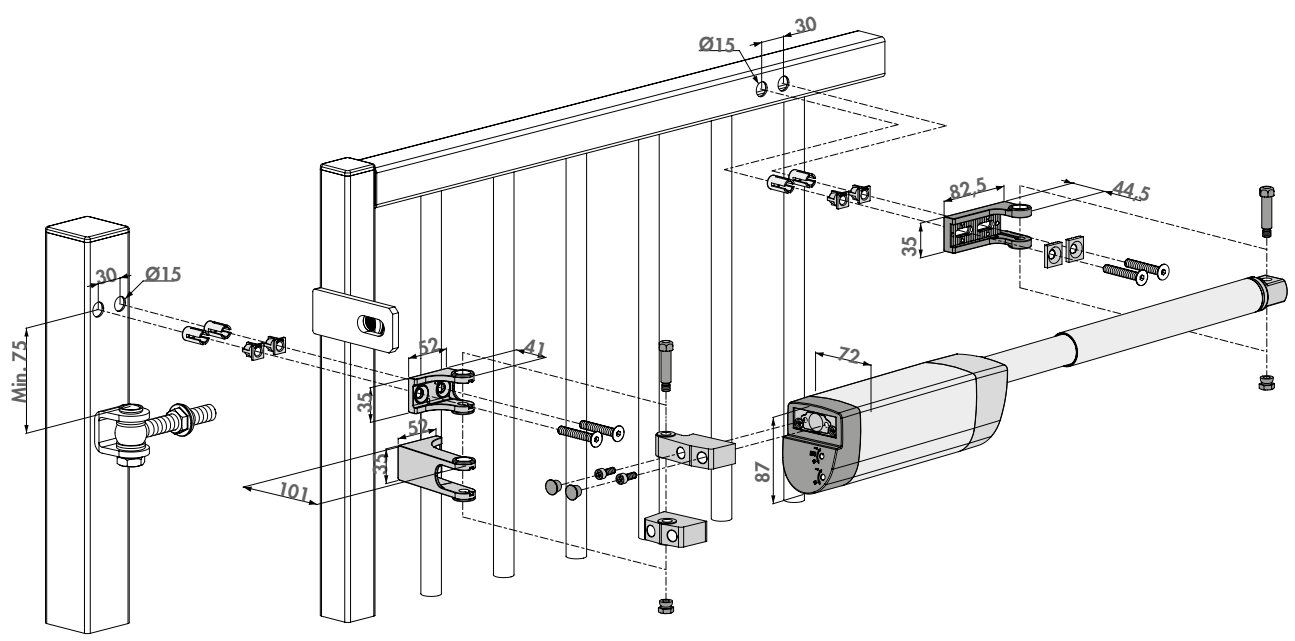
QUICK-FIX

COLOR OPTIONS

SILV

SPECIFICATIONS

- Opening angle up to 150° depending on the situation
- Specially developed for outdoor use: industrial quality
- Scratch resistant and corrosion free anodized aluminium housing
- Closing speed unaffected by temperature changes
- Fast and easy fixing with Quick-Fix
- For left and right turning gates
- Easy to open: Max. 25 Nm



ORDER CODE

SAMSON-2 Hydraulic gate closer for gates up to 150 kg

RECOMMENDED PRODUCTS



SB
P. 200

LION (Patented)**Compact and polyvalent gate closer, fits every gate situation**

The attractive and compact Lion gate closer is unique in its kind. This hydraulic all-rounder is fit for every possible gate situation. Moreover, both 90° and 180° railsets are included in the package, allowing for more flexibility on site. The anodized aluminium housing combines a handsome look with a durable and spotless functioning for many years. Choose the Lion-VTC Drill for an even faster installation.



1100 MM

75
KG3
YEAR
WARRANTY500 K
CYCLES-30°
+70°C

QUICK-FIX

ADA

PMR

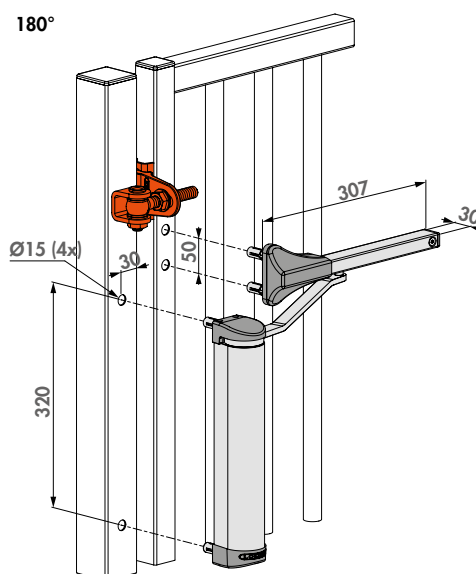
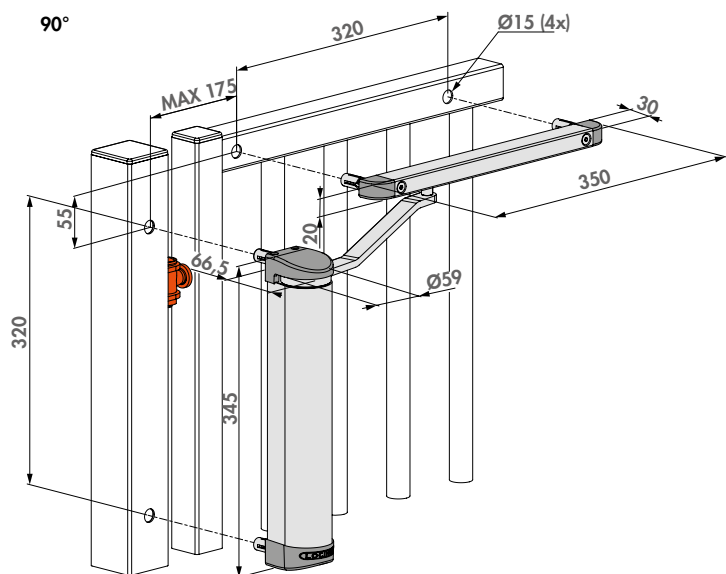
**COLOR OPTIONS**

SILV

9005

SPECIFICATIONS

- Automatic 180° - closing with adjustable closing speed and final snap
- Railset included for 90° and 180° situations
- Scratch resistant and corrosion free anodized aluminium housing
- Compact & aesthetic design
- Closing speed unaffected by temperature changes
- For left & right turning gates
- Integrated pre-tension for extremely smooth installation
- Easy to open: Max. 16 Nm

**ORDER CODE**

LION Compact hydraulic gate closer for any situation

RECOMMENDED PRODUCTSLION-VTC-DRILL
P. 177SHELL-LION
P. 1983018LION
P. 198RAIL-FIT
P. 202



RHINO (Patented)

Aesthetical 180° gate closer with direct connection to the hinge

Transform your 180° hinge into a self-closing solution thanks to our Rhino hydraulic gate closer. The direct connection to the Locinox hinge guarantees the discreet look and efficient transmission of the energy required to close the gate perfectly. The anodized aluminium housing ensures a durable and smooth operation in any weather. The Rhindrill jig guarantees an extremely efficient installation.

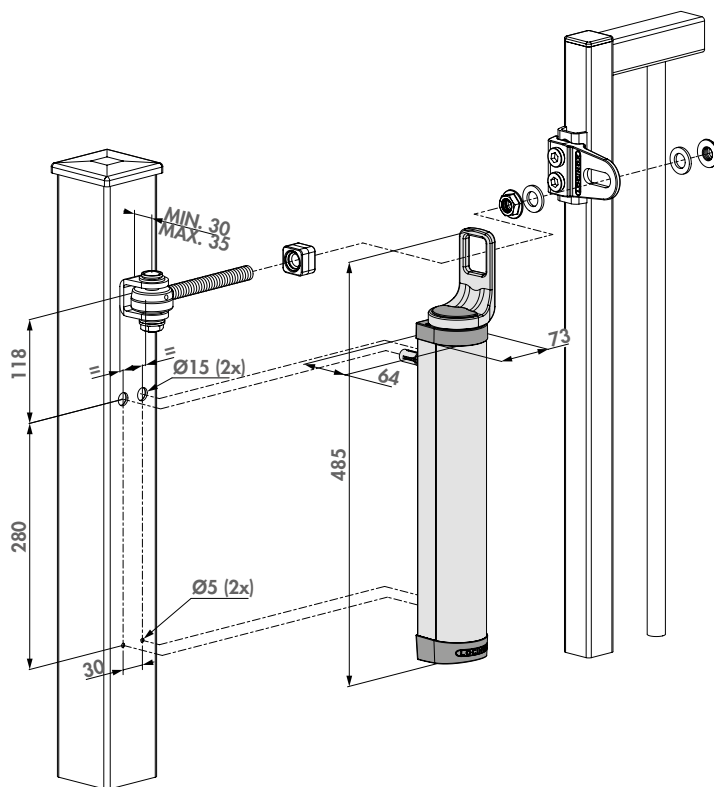


COLOR OPTIONS

SILV 9005

SPECIFICATIONS

- 180° hydraulic gate closer with adjustable speed and final snap
- Closing speed unaffected by temperature changes
- Scratch resistant and corrosion free anodized aluminium housing
- Direct assembly on 180° hinges M16 & M20 (GBMU, GBMU4D) & M16 (BOLTON4D)
- Bearing eyebolt is recommended (1034ROLL-M16)
- Integrated pre-tension for extremely smooth installation
- Easy to open: Max. 20 Nm



ORDER CODE

RHINO Hydraulic gate closer for gates up to 150 kg

RECOMMENDED PRODUCTS



RHINDRILL
P. 178



1034ROLL-HDG
P. 138



SHELL-RHINO-VTC
P. 199

VERTICLOSE-2-WALL (Patented)

Powerful and all-round hydraulic gate closer for wall mounting

The Verticlose-2-Wall gate closer has been specifically designed for wall mounting where the gate closer itself is positioned 90° in relation to the gate. The specially designed arm turns around the wall or post, ensuring a large opening angle. The aesthetic anodized aluminium gate closer with high-tech internal components ensures an exceptionally long life span.

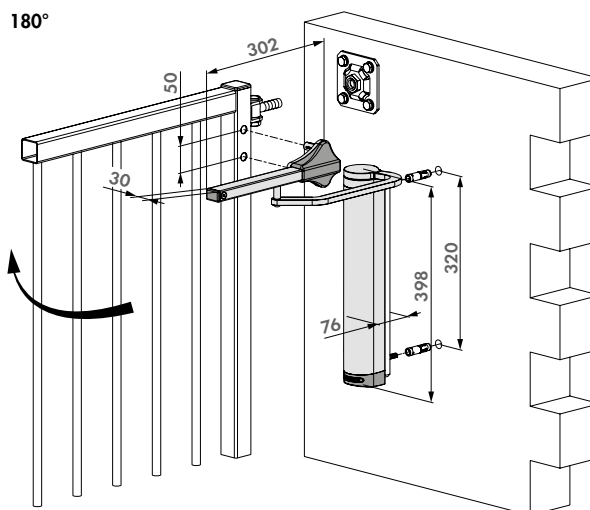
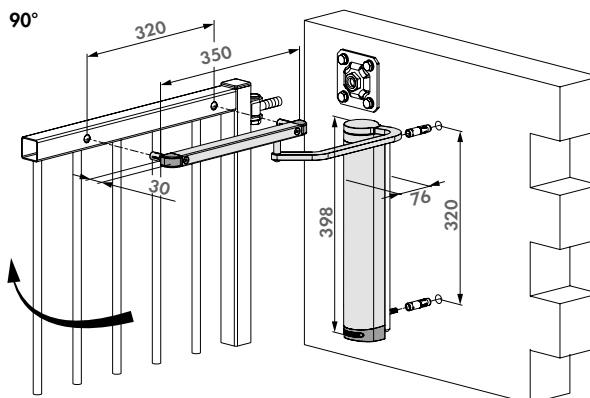


COLOR OPTIONS

SILV

SPECIFICATIONS

- Self-closing gate closer with adjustable speed and final snap
- Specially designed arm for wall mounting while guaranteeing a big opening angle
- Scratch resistant and corrosion free anodized aluminium housing
- Aesthetic & compact design
- Integrated pre-tension for extra smooth installation
- Closing force over the full 180° opening angle
- Firmly fixed thanks to patented Quick-Fix system
- Easy to open: Max. 25 Nm



ORDER CODE

VERTICLOSE-2-WALL Powerful and all-round hydraulic gate closer for wall mounting

RECOMMENDED PRODUCTS



LION-VTC-DRILL
P. 177



SHELL-RHINO-VTC
P. 199



RAIL-FIT
P. 202

VERTICLOSE-2 (Patented)

Powerful all-round hydraulic gate closer for 90° and 180° hinges

The Verticlose-2 gate closer is top-of-the-range within the Verticlose product series. It is extremely multifunctional and possesses excellent features, which makes Verticlose-2 a perfect fit for both 90° and 180° hinge situations. The integrated pre-tension and continuous adjustability of speed and final snap, combined with our Quick-Fix mounting system, guarantee a quick and efficient installation. The aesthetic anodized aluminium gate closer with high-tech internal components ensures an exceptionally long life span. We highly recommend the Lion-VTC Drill for an even more efficient installation.

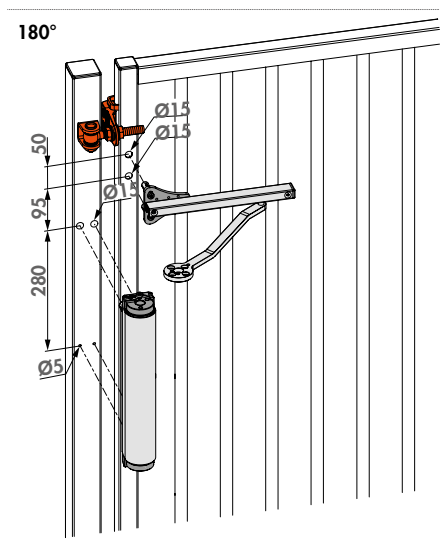
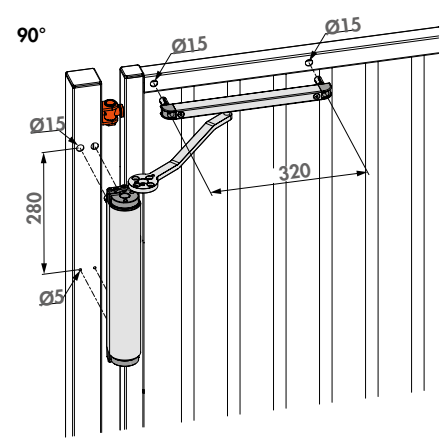


COLOR OPTIONS

- SILV
- 9005

SPECIFICATIONS

- Micro adjustment of speed and final snap
- Railset included for 90° and 180° situations
- Scratch resistant and corrosion free anodized aluminium housing
- Aesthetic & compact design
- Integrated pre-tension for extra smooth installation
- Closing force over the full 180° opening angle
- Firmly fixed thanks to patented Quick-Fix system
- Easy to open: Max. 25 Nm



ORDER CODE

VERTICLOSE-2 Powerful and all-round hydraulic gate closer for 90° and 180° hinges

RECOMMENDED PRODUCTS



LION-VTC-DRILL
P. 177

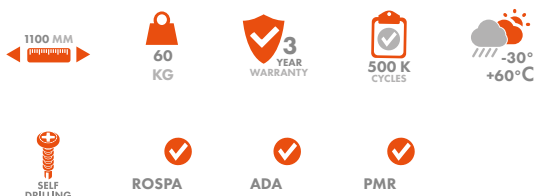
SHELL-RHINO-VTC
P. 199

RAIL-FIT
P. 202

SERVAL

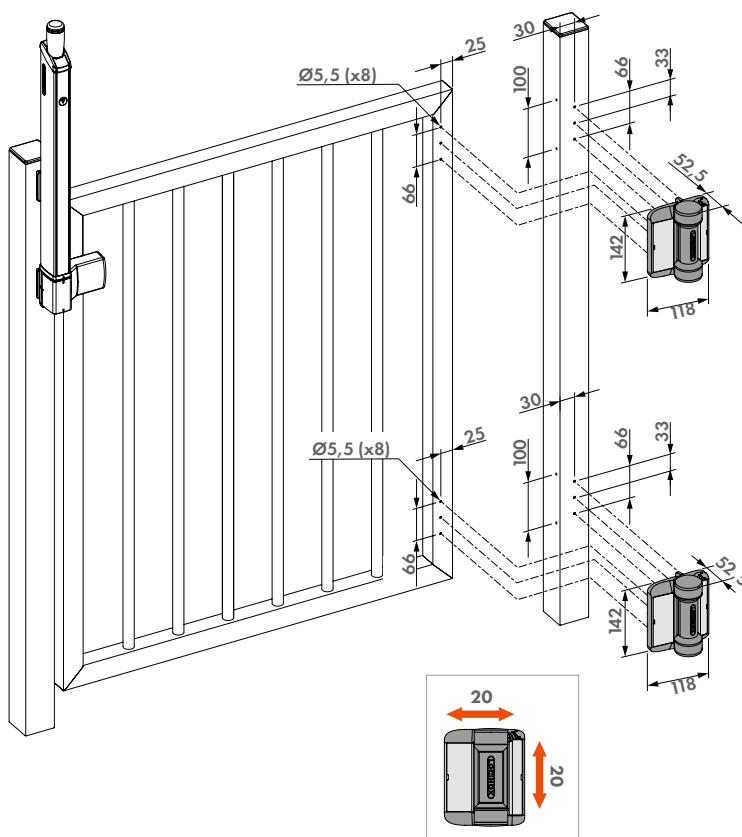
180° Spring hinge mounted with self-drilling screws

The Serval is a compact spring hinge with force adjustability. The glassfibre reinforced polyamide housing protects the high-tech internal components, allowing for a perfect functioning in all weather circumstances. Its 20 mm vertical and horizontal adjustability ensures an easy and flexible installation. Firmly fixed with self-drilling screws - no welding required. Suitable for installation on square and round frames.



SPECIFICATIONS

- 180° spring hinge with force adjustability
- Fiberglass reinforced polyamide housing
- For left and right turning gates
- Fast and easy fixing with self-drilling screws
- Force adjustability from 2 up to 7 Nm (at closed position)
- Easy to open: Max. 10 Nm
- 20 mm horizontal and vertical adjustability
- Use of NOSTEP anti-climb device is recommended



ORDER CODES

- SERVAL-SD-R 180° Spring hinge mounted with self-drilling screws for round profiles
- SERVAL-SD-K 180° Spring hinge mounted with self-drilling screws for square profiles

RECOMMENDED PRODUCTS



FORTIMA
P. 86



GUARDIMA
P. 87



CARACAL
P. 29



NOSTEP
P. 203

CARACAL (Patented)

Hydraulic 180° gate closer and hinge

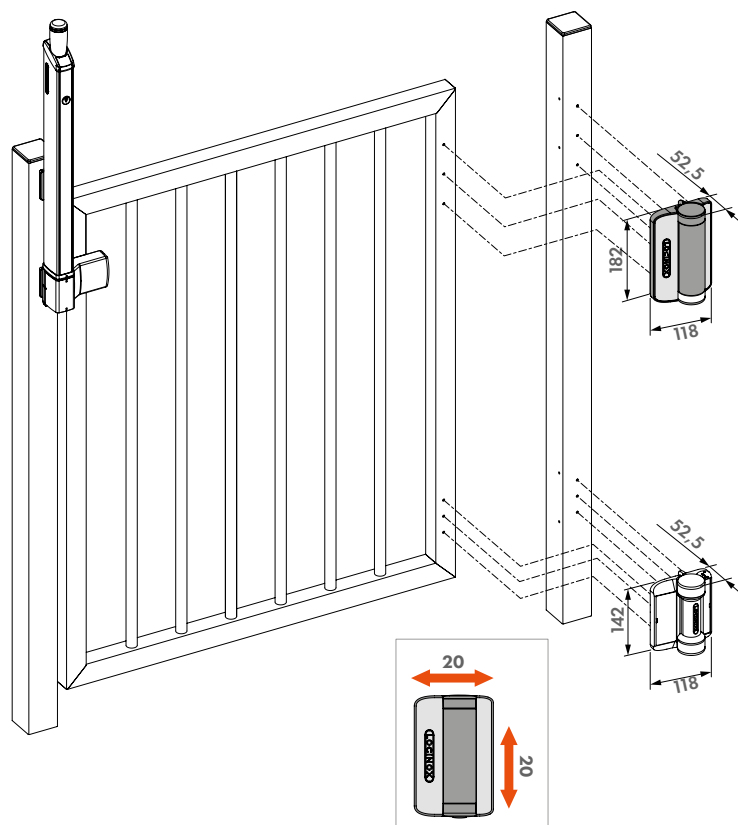


Aesthetic 180° gate closer with adjustable closing speed. The glassfibre reinforced PA housing protects the high-tech internal components, allowing for a perfect functioning in all weather circumstances. Its 20 mm vertical and horizontal adjustability ensures an easy and flexible installation. Firmly fixed with self-drilling screws - no welding required. Suitable for installation on square and round frames. Caracal is a perfect fit for swimming pools, playgrounds, parks and garden gates. Including Serval self closing hinge.



SPECIFICATIONS

- Automatic 180° closure with adjustable closing speed
- Glassfiber reinforced PA housing
- Closing speed unaffected by humidity and temperature changes
- For left and right turning gates
- Fast and easy fixing with self-drilling screws
- 20 mm horizontal and vertical adjustability
- Easy to open: Max. 11 Nm
- For installation on round frame: CLB-CARACAL to be ordered additionally



ORDER CODE

CARACAL-SD-K Hydraulic 180° gate closer and hinge mounted with self-drilling screws for square profiles

RECOMMENDED PRODUCTS



FORTIMA
P. 86



GUARDIMA
P. 87



CLB-CARACAL
P. 201



NOSTEP
P. 203





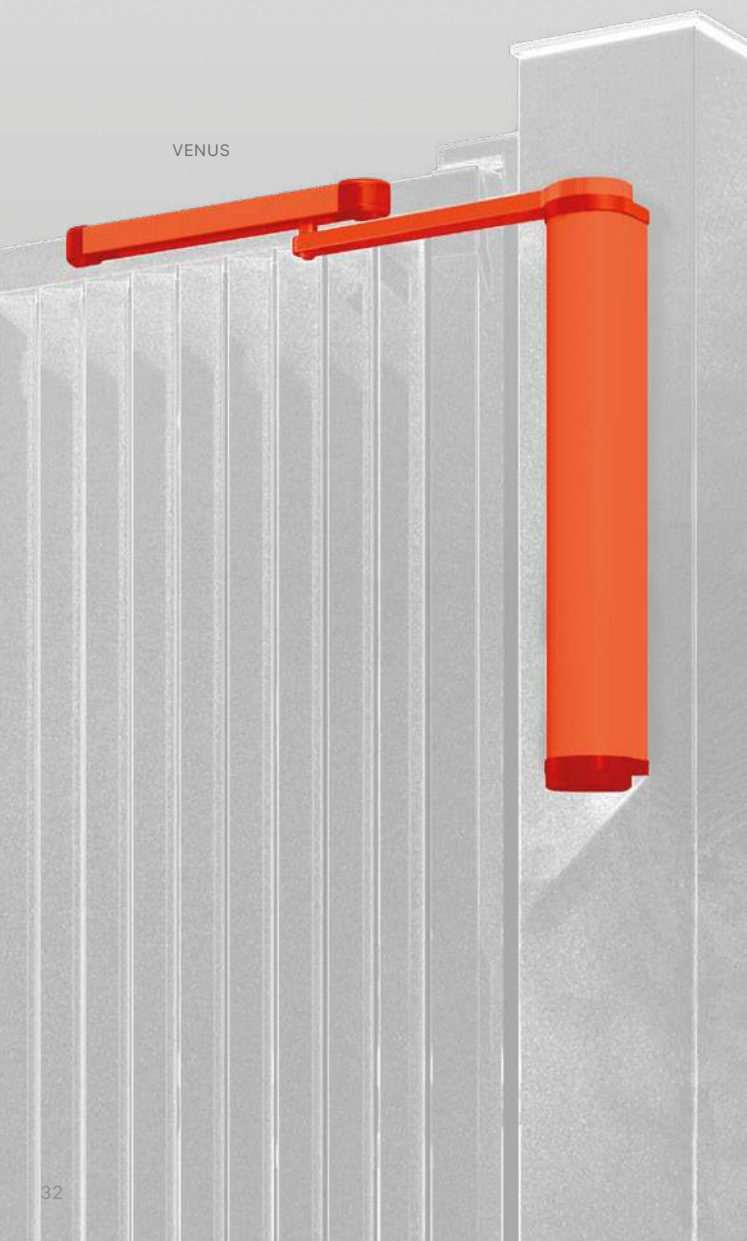
Automation & electronics

Automation has become a fundamental factor in the fence & gate industry. Locinox offers many solutions for user-friendly smart gates.

Motorised gate closers

For pedestrian swing gates

Motorised gate closers combine power and precision with smart technology, specially designed for outdoor pedestrian gates. They ensure maximum safety by always closing, regardless of weather conditions, and offer comfort for all users. Innovative features like push-and-go technology and integration with access control provide added convenience and security. A reliable and modern solution for every situation.



Smooth and quick access

The push-and-go feature ensures that you already activate the gate operator with a gentle push. The gate automatically opens on its own and closes automatically afterwards. Handy if your hands are full or can't exert as much force.

Comfort for all

Approaching the gate in a wheelchair, pushing a bike or carrying heavy shopping bags? Thanks to pre determined waiting and closing times, configured by the installer, the gate closer takes everything into account.

Safety above all

Thanks to its integrated obstacle detection feature, a motorised gate operator will reopen the gate and ensure it is fully closed only when everything and everyone has safely passed through.



MAGNUS

Easy Installation

Drill a few holes to mount with Quick-Fix and connect the plug-and-play wiring, and the gate closer is ready to go.

Brushless

The brushless motor operates quietly and smoothly, with minimal friction and wear. This guarantees a long lifespan, even under intensive and unpredictable use.

Reversible

The reversible motor allows for easy manual intervention even during automatic opening or closing. This prevents blockage or damage and ensures smooth operation.

Easy configuration

An intuitive application will guide you through the installation process, providing step-by-step instructions.

All-in-one

All the components, including the revolutionary steel gearbox, motor, motor control and all electronics, are enclosed within a compact aluminium housing.

Vandal proof

The motor's high backdrivability protects the electronics against any physical impact. Moreover, the WiFi connection can only be accessed after opening the case with your own key.



NEW **MAGNUS** (Patent pending)

Motorised hinge & gate closer in one for pedestrian gates

Coming Soon. MAGNUS is a motorised gate closer and hinge in one, designed for the automation of pedestrian gates. The brushless and reversible motor is insensitive to unpredictable pedestrian behaviour, and operates in low-energy mode. The settings and access control can be configured via an intuitive app. Includes lower hinge and compact connection box.

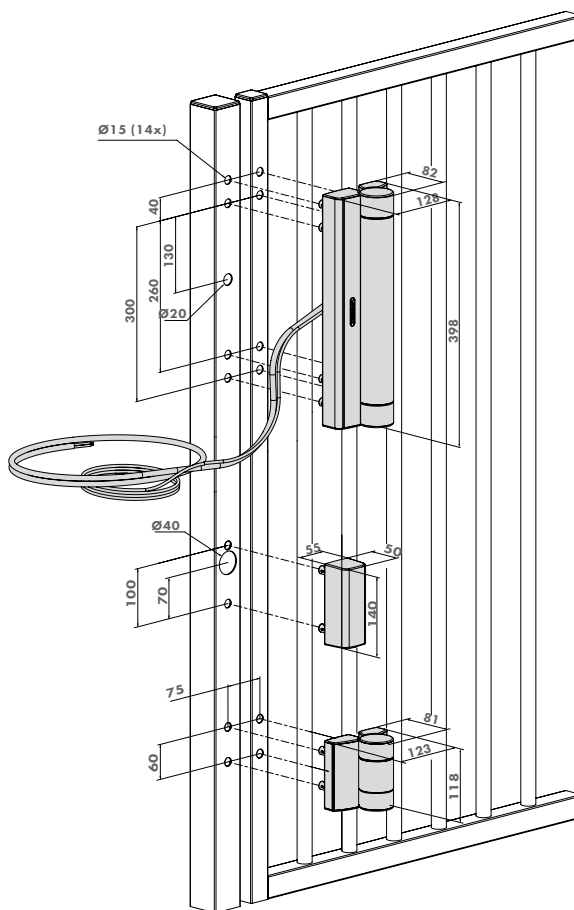


COLOR OPTIONS

SILV 9005

SPECIFICATIONS

- Motorised gate closer with integrated electronics
- 75 Nm torque
- Fits on post profiles from 60 mm and gate profiles from 40 mm
- Steel gear box
- Anodized aluminium cover
- Fast and easy fixing with Quick-Fix
- ETL-tested
- Input main power supply: 110 AC to 240V AC
- Motor voltage: 24V DC
- External connection box with 3 inputs and 3 outputs (Max. 48W, 24V DC)
- Automated obstacle detection with reverse function
- Brushless motor: long lifespan and intensive usage
- Reversible motor with backdrivability for easy manual use - to be combined with a lock
- 2m cable between motor and connection module
- Compact and vandal-proof design
- Configuration via app
- Tested up to 500.000 cycles
- EN 16005 Compliant



ORDER CODE

MAGNUS Motorised gate closer & hinge in one for pedestrian gates

RECOMMENDED PRODUCTS



SLIMSTONE-2
P. 38



MODULEC-SA
P. 112

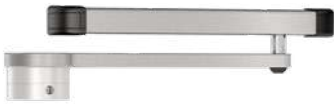


MODULEC-SF
P. 124



MAGMAG
P. 48

VENUS-ARM-S

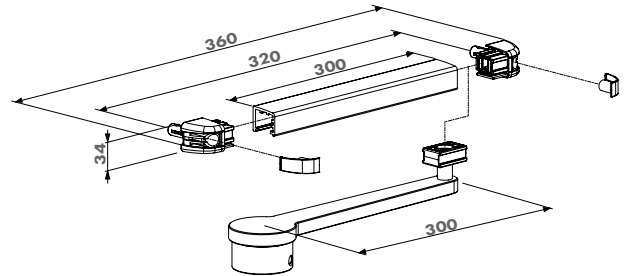


Sliding arm to install Venus

Accessory to install the Venus with any type of hinge, including.

SPECIFICATIONS

- Compatible with Venus
- Available in two colours: RAL 9005 & SILV



ORDER CODE

VENUS-ARM-S Sliding arm to install Venus



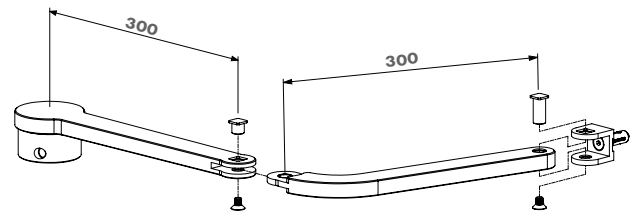
VENUS-ARM-A

Articulated arm for Venus installation

Accessory to install the Venus in situations with distances up to 250 mm between the motor and hinge axes.

SPECIFICATIONS

- Compatible with Venus
- Available in two colours: RAL 9005 & SILV



ORDER CODE

VENUS-ARM-A Articulated arm for Venus installation



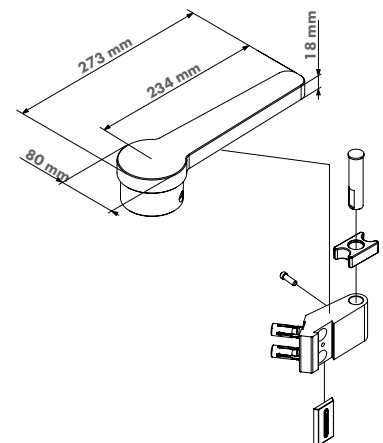
VENUS-ARM-G

Arm to install Venus with 180° hinges

Accessory to install the Venus with 180° hinges. Compact design that supports large opening angles.

SPECIFICATIONS

- Compatible with Venus
- Available in two colours: RAL 9005 & SILV



ORDER CODE

VENUS-ARM-G Arm to install Venus with 180° hinges



VENUS (Patent pending)

Motorised gate closer for pedestrian swing gates

The Venus is a plug-and-play motorised gate closer for pedestrian swing gates. The compact all-in-one gate operator can easily be installed on any type of post and hinge thanks to 3 different arm types.

The innovative motor's performance remains unaffected by manual force. When combined with access control, the Venus works as a low-energy gate opener.



IP 54

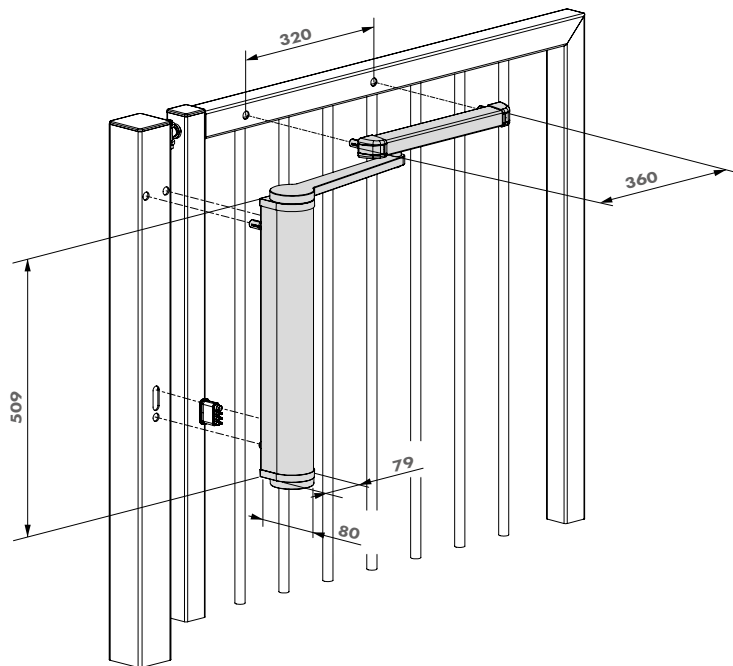


COLOR OPTIONS

SILV 9005

SPECIFICATIONS

- Motorised gate closer with integrated electronics
- 150 Nm torque
- Fits on 80 mm profiles
- For pedestrian gates up to 1400 mm wide and 100 kg
- Steel gear box
- Anodized aluminium cover
- 3 different arm options for installation
- Easy mounting with Quick-Fix
- ETL-tested
- Input main power supply: 110 AC to 240V AC
- 3 inputs and 3 outputs (Max. 48W, 24V DC)
- Integrated warning light
- Automated obstacle detection with reverse function
- Brushless motor: long lifespan and intensive usage
- Reversible motor with backdrivability for easy manual use - to be combined with a lock
- Compact and vandal-proof design
- EN 16005 Compliant
- Configuration via app
- Tested up to 500.000 cycles



ORDER CODES

VENUS-S	Motorised gate closer with sliding arm for pedestrian swing gates
VENUS-A	Motorised gate closer with articulated arm for pedestrian swing gates
VENUS-G	Motorised gate closer with compact arm for pedestrian swing gates with 180° hinges

COMPATIBLE PRODUCTS



SLIMSTONE-2
P. 38



MODULEC-SF
P. 124



B-MAG
P. 53



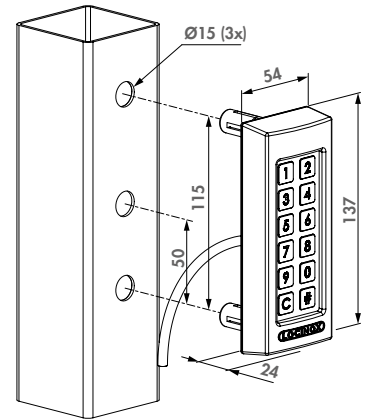
VENUS-ADAPTERPLATE
P. 197



SLIMSTONE-X

Weather resistant keypad with external relays

The durable and robust SlimStone-X keypad has been developed to work with the SwitchStone-STD relay module. When both combined, the SlimStone-X ensures maximum security against burglary thanks to 2 external relays, both with a common, Fail Open and Fail Close contact. The keypad is easy in installation and configuration, and is developed and tested for use in the most extreme weather conditions (IP68).



COLOR OPTIONS

SILV 9005

SPECIFICATIONS

- IP68 rated - Extremely resistant to water and dust
- Long range secure 2-wire communication with SwitchStone-STD, distance up to 300 m
- Auto back up functionality
- Secured against burglary thanks to external relay
- Highly resistant stainless steel push buttons tested for 1,000,000 pushes and more
- Easy programming of up to 400 user codes
- Frost-free thanks to smart heating
- Tested from -30 up to +85° Celsius
- Consumption: 1,5 W (> 5°C) + 12 W at max heating (< -25°C)

COMPATIBLE PRODUCTS



SWITCHSTONE-STD P. 61 MODULEC-SA P. 112 INTRALEC P. 124 LIKQU2 P. 81

ORDER CODE

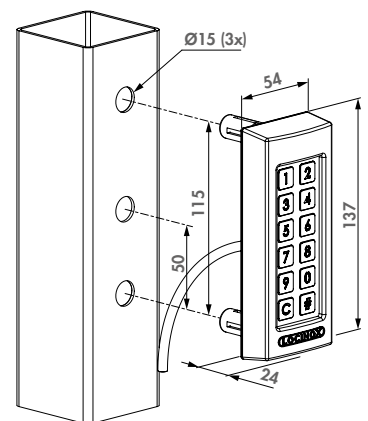
SLIMSTONE-X Strong, frost-free and watertight keypad



SLIMSTONE-2

Weather resistant keypad with 2 integrated relays

The SlimStone-2 keypad has 2 integrated relays, with a Fail Open and Fail Close contact. These make it easy to connect to Locinox and third-party automation products. This keypad with integrated LED lighting is strong and extremely weather resistant, thanks to integrated heating and IP68 waterproof rating.



COLOR OPTIONS

SILV 9005

SPECIFICATIONS

- IP68 rated - Extremely resistant to water and dust
- Aluminium vandal-proof housing with scratch-resistant textured lacquer
- Highly resistant stainless steel push buttons tested for 1,000,000 pushes and more
- Easy installation and configuration
- Easy programming of up to 100 user codes
- Working voltage keypad from 10 up to 26 Volt AC/DC
- Current: 1.0 A (with heating)
- 2 integrated switching relays: 2 x NO - 2 x NC - 2 x COM (Max. 2A, 60W, 26V AC/DC)
- Consumption: 1,5 W (> 5°C) + 12 W at max heating (< -25°C)

COMPATIBLE PRODUCTS



MODULEC-SA P. 112 INTRALEC P. 124 LIKQU2 P. 81 B-MAG P. 53

ORDER CODE

SLIMSTONE-2 Sturdy, frost-free and weather resistant keypad with 2 integrated relays



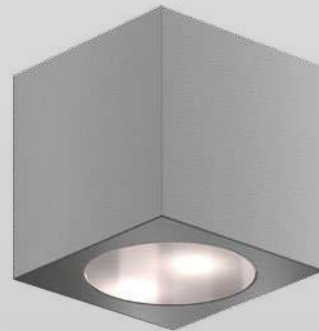
HELIOS architectural outdoor lighting

Perfect harmony between functionality and aesthetics

CONE



CUBE



ARCO



HEPTA



With a complete range of 7 different models, you can design the outdoor space entirely according to your preferences.

Choose from the standard colours of **black, silver, anthracite and bronze** or **paint the lights in any colour of your choice.**

TIP

- Coat the housing together with the gate for a stunning result.

NEW **CONE** (Patent pending)

Architectural conical wall lighting



Upgrade your gate installations and surrounding areas with a warm and atmospheric touch with this conical wall lighting from the HELIOS portfolio. The high-quality aluminium housing guarantees durability in all weather conditions. Choose from different standard colours or personalize the uncoloured variant with any powder coating of your choice. These lights are available in 55 mm and 85 mm widths and in variants for 230V AC or 12-24V DC connection.

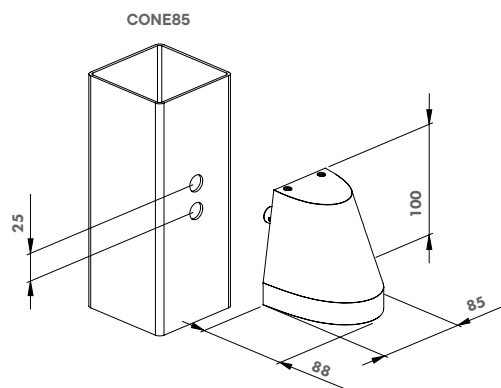
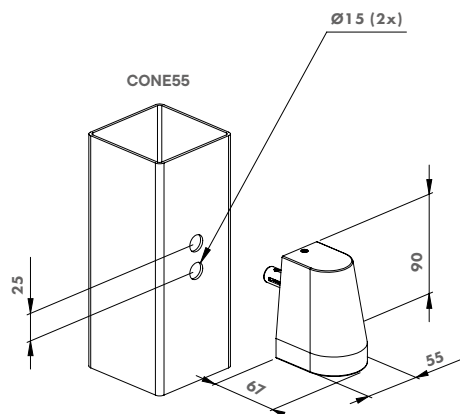


COLOR OPTIONS

- ALUM
- SILV
- 9005
- 7016
- BRON

SPECIFICATIONS

- Available in various colours or customisable via powder coating
- Width: 55 mm or 85 mm
- Colour temperature: 2700K
- IP65 rated
- Power consumption: max. 4.6W (230V AC) or 3W (12-24V DC)
- Plug & play installation with WAGO connectors
- Lifetime: 50,000 hours while maintaining 80% of initial brightness
- Easy installation with standard tools and supplied Hex keys
- Brightness: 300 lm



ORDER CODES

CONE55-230V	55 mm wide, 230V AC
CONE55-DC	55 mm wide, 12V DC / 24V DC
CONE85-230V	85 mm wide, 230V AC
CONE85-DC	85 mm wide, 12V DC / 24V DC

RECOMMENDED POWER SUPPLIES



POWERSTONE
P. 60



DC-POWER-12V-20W
P. 61



DC-POWER-24V-25W
P. 61

NEW **CUBE** (Patent pending)

Architectural cubic wall lighting



Upgrade your gate installations and surrounding areas with a warm and atmospheric touch with this cubic wall lighting from the HELIOS portfolio. The high-quality aluminium housing guarantees durability in all weather conditions. Choose from different standard colours or personalize the uncoloured variant with any powder coating of your choice. These lights are available in 55mm and 75mm widths and in variants for 230V AC or 12-24V DC connection.

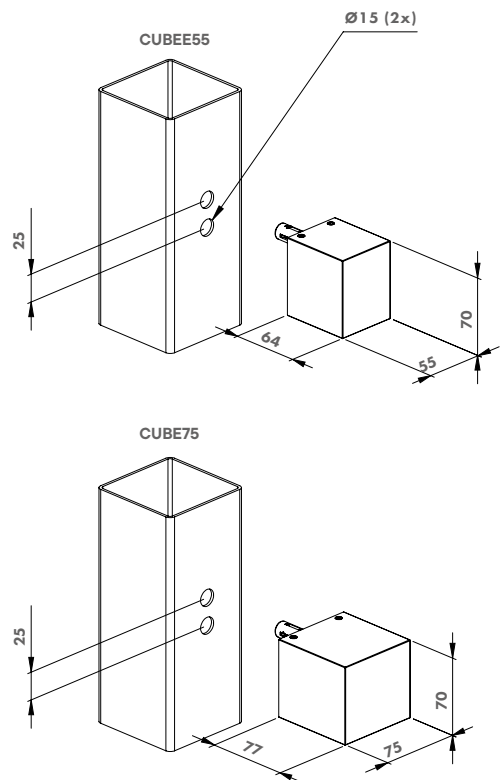


COLOR OPTIONS

- ALUM
- SILV
- 9005
- 7016

SPECIFICATIONS

- Available in various colours or customisable via powder coating
- Width: 55 mm or 75 mm
- Power consumption: max. 4.6W (230V AC) or 3W (12-24V DC)
- Colour temperature: 2700K
- IP65 rated
- Plug & play installation with WAGO connectors
- Lifetime: 50,000 hours while maintaining 80% of initial brightness
- Easy installation with standard tools and supplied Hex keys
- Brightness: 300 lm



ORDER CODES

CUBE55-230V	55 mm wide, 230V AC
CUBE55-DC	55 mm wide, 12V DC / 24V DC
CUBE75-230V	75 mm wide, 230V AC
CUBE75-DC	75 mm wide, 12V DC / 24V DC

RECOMMENDED POWER SUPPLIES



POWERSTONE
P. 60



DC-POWER-12V-20W
P. 61



DC-POWER-24V-25W
P. 61

NEW **ARCO** (Patent pending)

Architectural arched wall lighting



Upgrade your gate installations and surrounding areas with a warm and atmospheric touch with this arched wall lighting from the HELIOS portfolio. The high-quality aluminium housing guarantees durability in all weather conditions. Choose from different standard colours or personalize the uncoloured variant with any powder coating of your choice. These lights are available in 55 mm and 75 mm widths and in variants for 230V AC or 12-24V DC connection.

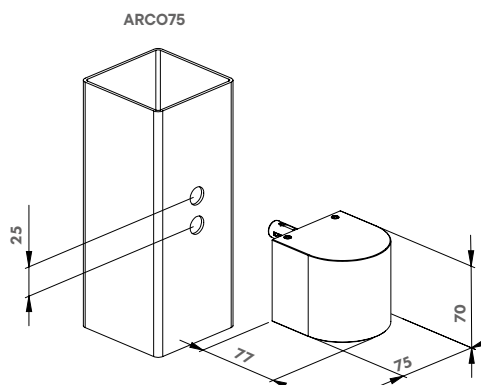
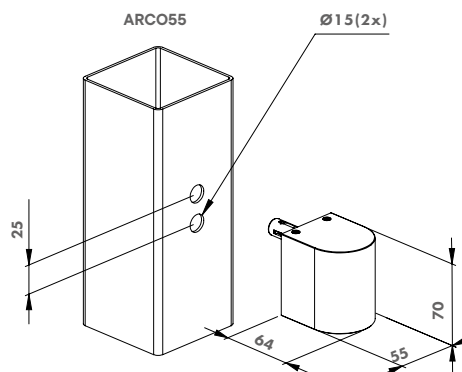


COLOR OPTIONS

- ALUM
- SILV
- 9005
- 7016

SPECIFICATIONS

- Available in various colours or customisable via powder coating
- Width: 55 mm or 75 mm
- Power consumption: max. 4.6W (230V AC) or 3W (12-24V DC)
- Colour temperature: 2700K
- IP65 rated
- Plug & play installation with WAGO connectors
- Lifetime: 50,000 hours while maintaining 80% of initial brightness
- Easy installation with standard tools and supplied Hex keys
- Brightness: 300 lm



ORDER CODES

ARCO55-230V	55 mm wide, 230V AC
ARCO55-DC	55 mm wide, 12V DC / 24V DC
ARCO75-230V	75 mm wide, 230V AC
ARCO75-DC	75 mm wide, 12V DC / 24V DC

RECOMMENDED POWER SUPPLIES



POWERSTONE
P. 60



DC-POWER-12V-20W
P. 61



DC-POWER-24V-25W
P. 61

NEW **HEPTA** (Patent pending)

Architectural trapezoidal wall lighting



Upgrade your gate installations and surrounding areas with a warm and atmospheric touch with this trapezoidal wall lighting from the HELIOS portfolio. The high-quality aluminium housing guarantees durability in all weather conditions. Choose from different standard colours or personalize the uncolored variant with any powder coating of your choice. These lights are 75 mm wide and available in variants for 230V AC or 12-24V DC connection.

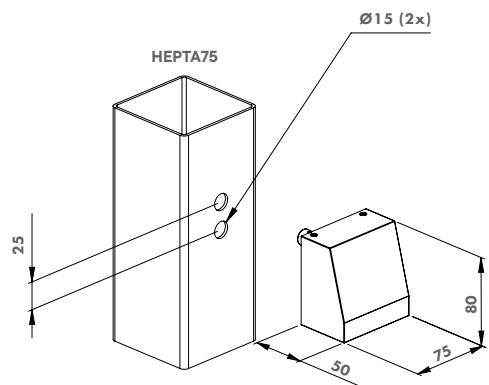


COLOR OPTIONS

- ALUM
- SILV
- 9005
- 7016

SPECIFICATIONS

- Available in various colours or customisable via powder coating
- Width: 75 mm
- Power consumption: max. 4.6W (230V AC) or 3W (12-24V DC)
- Colour temperature: 2700K
- IP65 rated
- Plug & play installation with WAGO connectors
- Lifetime: 50,000 hours while maintaining 80% of initial brightness
- Easy installation with standard tools and supplied Hex keys
- Brightness: 300 lm



ORDER CODES

-
- HEPTA75-230V 75 mm wide, 230V AC

 - HEPTA75-DC 75 mm wide, 12V DC / 24V DC

RECOMMENDED POWER SUPPLIES



POWERSTONE
P. 60



DC-POWER-12V-20W
P. 61



DC-POWER-24V-25W
P. 61



TRICONE

Design LED-lighting for fences & gates

Plug & Play design LED lighting for your fences & gates. Gives your gate an aesthetical look with minimal power consumption! The Quick-Fix provides a fast and strong fixing on your fencing.

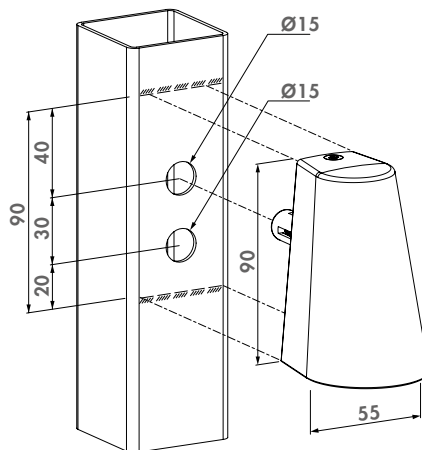


COLOR OPTIONS

SILV 9005

SPECIFICATIONS

- Easy mounting with Quick-Fix
- Aluminium housing with plastic (POM) cable guiding
- 3 White High-Flux LED Lights, colour temperature: 5700K - 6500K
- ± 140° beam angle
- Life expectancy: 50.000 hours
- 300 lux (illuminance)
- Power: ± 1W (with 12V DC)
- 12V AC or DC (max. 18V DC or peak AC)
- Minimum power consumption and long lasting performance
- Resin encapsulated print circuit board for maximum weather resistance
- Power up to 20 Tricone with 1 Locinox AC transformer or up to 15 with the DC power
- IP54



ORDER CODE

TRICONE Design LED lighting for gates with Quick-Fix

CABLE GUIDING



DVK-HD
P. 59



DVK
P. 58



2005
P. 60



PB-1
P. 58

RECOMMENDED POWER SUPPLIES



AC-TRANS-12V-25W
P. 60



DC-POWER-12V-20W
P. 61



DC-ACCESS-12V-20W
P. 60

Surface mounted magnetic locks

Full concept for swing gates

Surface-mounted magnetic locks are designed to provide a firm, silent closure and offer the possibility to be opened from a distance. With an extremely strong holding force and innovative dual layer coating, magnetic locks are highly resistant to intensive use and various weather influences - ideal for public applications.



1. MAGMAG

High quality surface mounted magnetic lock with guaranteed holding force and long durability. 500h salt spray resistant.

2. N-LINE-MAG

Aesthetic, adjustable and powder coated finishing profile for swing gates preventing people to stumble against protruding parts.

3. 3006PULL

Elegant powder coated handle for easy opening and closing of the gate.

TIP

- Save time and order the all-in-one N-LINE-MAG KIT
- Add access control to your gate with the strong, frost-free and watertight SLIMSTONE-2 keypad
- Make your gate self-closing with the powerful MAMMOTH gate closer



MAG

Surface mounted magnetic lock with integrated handles



Screw-on electromagnetic lock for access control. Available in 2 versions. MAG3000 with 300 kg and MAG6000 with 600 kg pulling force. The aluminium powder coated housing with integrated design handles gives your access control gate that extra touch. Stop losing precious time with welding boxes; drilling 7 holes does the job. The Quick-Fix enables a fast and strong fixing. A two layer, protective coating guarantees that our electromagnetic locks are ready for years of worry-free use outside.

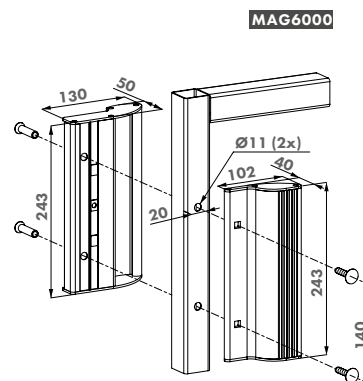
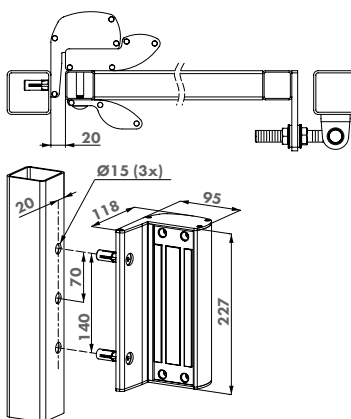
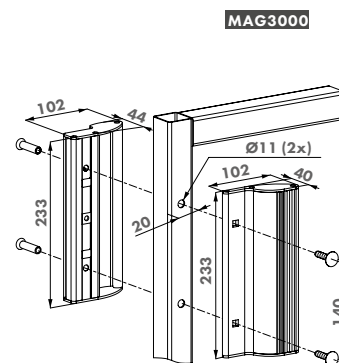
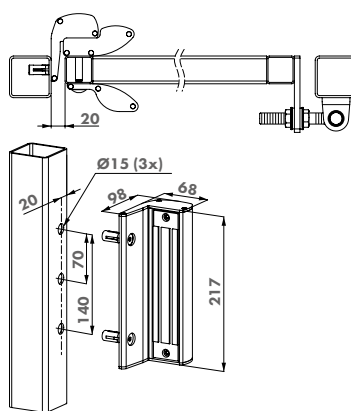


COLOR OPTIONS

SILV 9005

SPECIFICATIONS

- 500h salt spray resistant! SGS certified (ISO 9227)
- Guaranteed holding force tested on every magnetic lock
- With Quick-Fix fixing
- Powder coated aluminium housing
- Anti-residual magnetism kick-off system
- Raised edge on the magnet housing makes it impossible to put a crowbar between the magnet and the armature plate
- Voltage: 12V / 24V DC
- Current MAG3000: 500 mA / 12 V or 250 mA / 24 V
- Current MAG6000: 460 mA / 12 V or 230 mA / 24 V
- IP68 rated - Extremely resistant to water and dust



ORDER CODES

- MAG3000 For square posts and gate profiles of 40 mm to 80 mm, 300 kg pulling force
- MAG6000 For square posts and gate profiles of 40 mm to 80 mm, 600 kg pulling force

RECOMMENDED PRODUCTS



N-LINE-MAG-3000
P. 49



PB-1
P. 58



DVK-HD
P. 59



DC-POWER-24V-25W
P. 61

MAGMAG

Surface mounted electromagnetic lock without integrated handles



Screw-on magnetic lock without handle. Available in 2 versions. MAGMAG3000 with 300 kg and MAGMAG6000 with 600 kg of pulling force. The aluminium powder coated housing equipped with the unique Quick-Fix fixations ensures a fast and nicely finished mounting. Eliminate time-consuming welding; drilling 5 holes is enough to fix the lock. A two layer, protective coating guarantees that our electromagnetic locks are ready for years of worry free use outside.

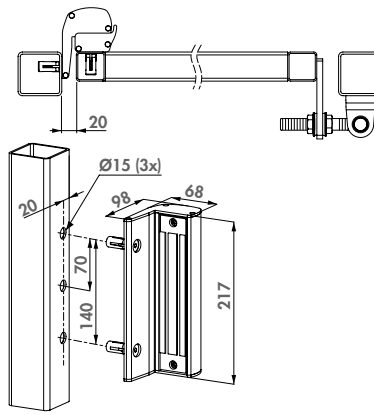


COLOR OPTIONS

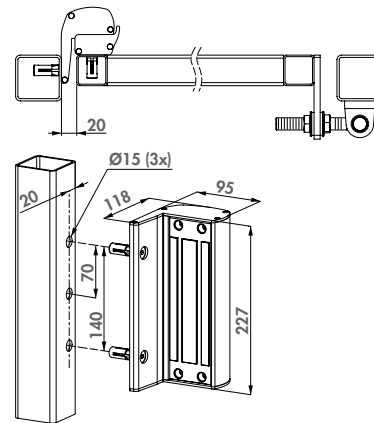
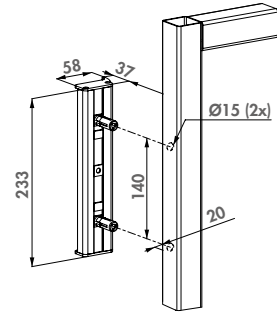
SILV 9005

SPECIFICATIONS

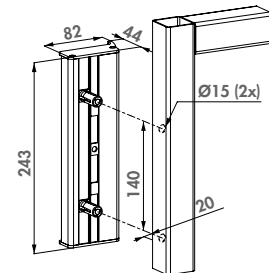
- 500h salt spray resistant! SGS certified (ISO 9227)
- Guaranteed holding force tested on every magnetic lock
- Special two-layer protective coating developed for outdoor use
- Powder coated aluminium housing
- Anti-residual magnetism kick-off system
- Raised edge on the magnet housing makes it impossible to put a crowbar between the magnet and the armature plate
- IP68 rated - Extremely resistant to water and dust
- Current MAGMAG3000: 500 mA / 12 V or 250 mA / 24 V
- Current MAGMAG6000: 460 mA / 12 V or 230 mA / 24 V
- Voltage: 12V / 24V DC



MAGMAG3000



MAGMAG6000



ORDER CODES

MAGMAG3000	For square posts and gate profiles of 40 mm to 80 mm, 300 kg pulling force
MAGMAG6000	For square posts and gate profiles of 40 mm to 80 mm, 600 kg pulling force

RECOMMENDED PRODUCTS



N-LINE-MAG-3000
P. 49



PB-1
P. 58



DVK-HD
P. 59



DC-POWER-24V-25W
P. 61

N-LINE-MAG

Profile for MAG3000 and MAGMAG3000 magnetic locks

Adjustable, powder coated aluminium design profile for aesthetic closing of the gaps between MAG3000 or MAGMAG3000 magnetic locks. To be fixed to the post. Prevents passersby to bump into the protruding parts of the magnetic lock.

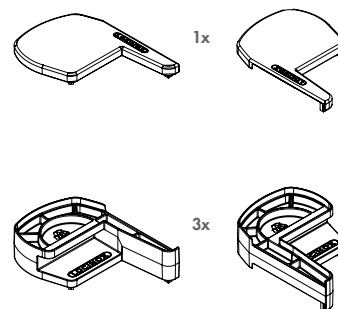
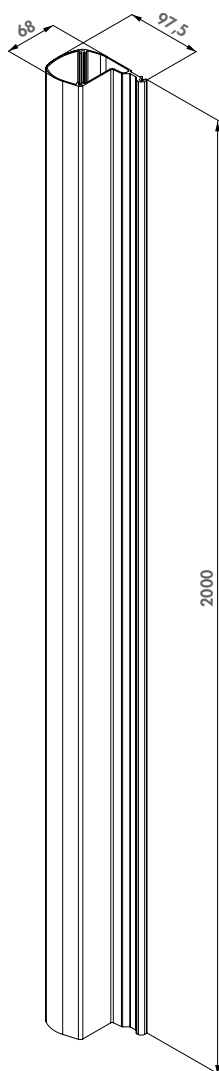


COLOR OPTIONS

SILV 9005

SPECIFICATIONS

- Profile length of 2 m
- Delivered with self-drilling screws, compatible with Quick-Fix
- 2 plastic cover caps and 6 in between caps included
- Separate adaptor needed with 3006PULL, delivered with 3006PULL



ORDER CODE

N-LINE-MAG-3000 Aluminium finishing profile for MAG3000 & MAGMAG3000

RECOMMENDED MAGNETIC LOCKS



MAG3000
P. 47

MAGMAG3000
P. 48



N-LINE-MAG-KIT-3000

Set with N-LINE MAG profile, 2x MAGMAG3000, 3006PULL

Set with N-LINE MAG profile and 2x MAGMAG3000 and 3006PULL handle. 3006PULL handle is included to finish your gate. Aesthetic solution which prevents passersby to bump into the magnetic lock parts.

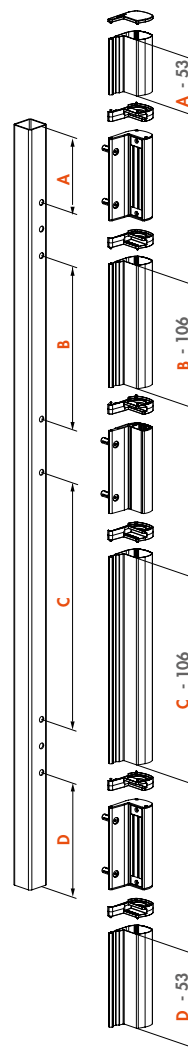
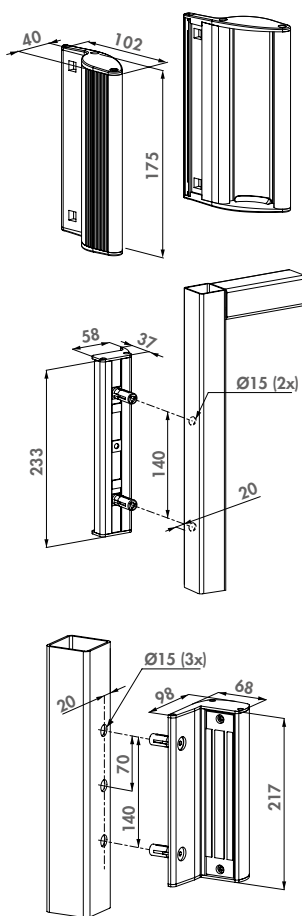


COLOR OPTIONS

SILV 9005

SPECIFICATIONS

- Adjustable aluminium design profile to mount above, below and in between the magnets
- Profile length of 2 m
- Delivered with self-drilling screws, compatible with Quick-Fix
- 2 plastic cover caps and 6 in between caps included
- Aluminium 3006PULL handle included
- Delivered with 2x MAGMAG3000
- Voltage: 12V / 24V DC
- Current: 500mA / 12V or 360mA / 24V



ORDER CODE

N-LINE-MAG-KIT-3000 Set with N-LINE MAG profile and 2x MAGMAG3000 and 3006PULL handle

KIT INCLUDES



N-LINE-MAG-3000
P. 49



MAGMAG3000
P. 48



3006PULL
P. 186

Built-in magnetic locks

Full concept for sliding or swing gates

Built-in magnetic locks provide a discreet and secure solution for various gate situations and add the value of integrating with access control. With their extreme holding force and dual layer coating, these magnetic locks deliver reliable performance and withstand harsh weather conditions.



1. MAGUNIT

High quality surface mounted magnetic lock with guaranteed holding force and long durability. 500h salt spray resistant.

2. N-LINE-B-MAG

Aesthetic, adjustable and powder coated finishing profile for sliding or swing gates preventing people to stumble against protruding parts.

3. 3006PULL

Elegant powder coated handle for easy opening and closing of the gate.

TIP

- Save time and order the all-in-one N-LINE-B-MAG KIT
- Add access control to your gate with the strong, frost-free and watertight SLIMSTONE-2 keypad
- Make your gate self-closing with the powerful VERTICLOSE-2 gate closer





B-MAG

Integrated magnet lock for swing gates

Thanks to its assembly in the pole, this magnet lock can be installed invisibly and aesthetically, whilst maximal passage space is maintained. A quick assembly is done with Quick-Fix. It has a guaranteed tensile strength of 250 kg and resists extreme weather conditions. The rubber bumpers prevent shaking of the gate, and damage to the gate and its accessories in case of harsh handling, and the flexible assembly of the armature plate guarantees a good closing even if the gate isn't perfectly aligned.

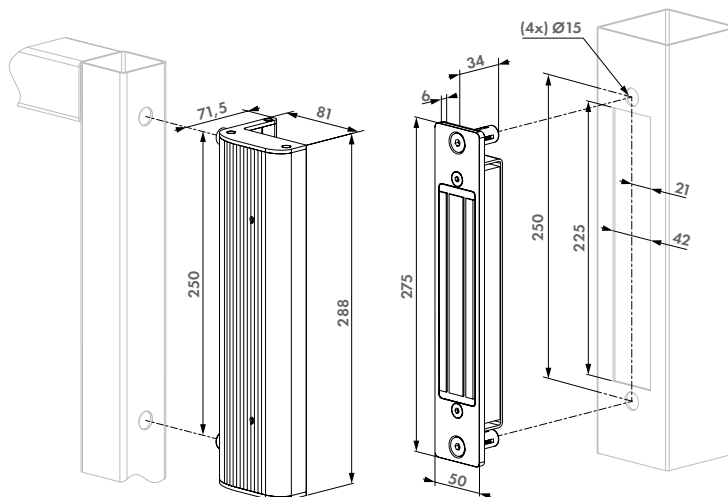


COLOR OPTIONS

SILV 9005

SPECIFICATIONS

- Guaranteed holding force tested on every magnetic lock
- Minimal pulling force: 2500N (250 kg)
- 500h salt spray resistant! SGS certified (ISO 9227)
- Special two-layer protective coating developed for outdoor use
- Anti-residual magnetism kick-off system
- Current: 460mA / 12V or 230mA / 24V
- Voltage: 12V / 24V DC
- IP68 rated - Extremely resistant to water and dust



ORDER CODE

B-MAG Integrated magnet and bolt-on anchorplate for swing gates

RECOMMENDED PRODUCTS



PB-1
P. 58



DVK-HD
P. 59



SLIMSTONE-2
P. 38



DC-ACCESS-12V-20W
P. 60



DC-POWER-12V-20W
P. 61



DC-POWER-24V-25W
P. 61

MAGUNIT2500

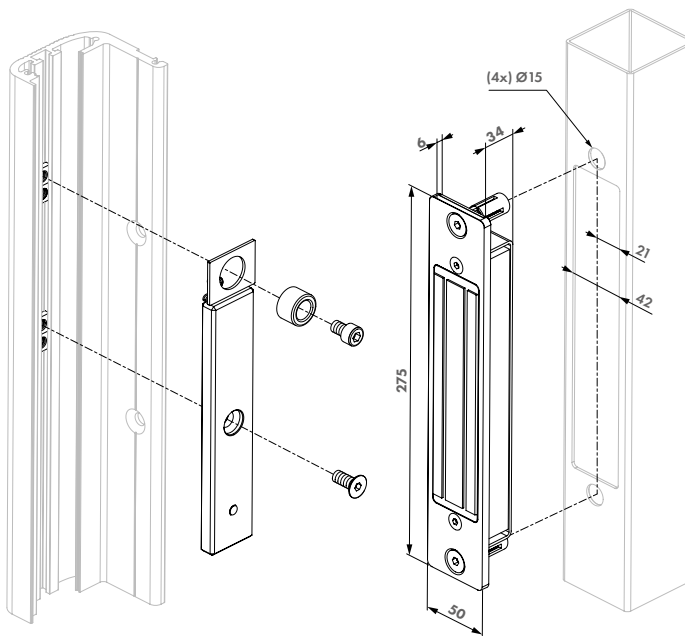
Set with magnet and anchor plate for N-LINE (B or S)-MAG profiles

Set with a MAG and anchor plate along with fittings to combine with a N-LINE-B-MAG or N-LINE-S-MAG, 1 or more MAGUNITs can be mounted in the N-LINE profile.



SPECIFICATIONS

- Guaranteed holding force tested on every magnetic lock
- 500h salt spray resistant! SGS certified (ISO 9227)
- Special two-layer protective coating developed for outdoor use
- Anti-residual magnetism kick-off system
- Current: 460mA / 12V or 230mA / 24V
- Voltage: 12V / 24V DC
- Minimal pulling force: 2500N (250 kg)
- IP68 rated - Extremely resistant to water and dust



ORDER CODE

MAGUNIT2500 Magnet and anchorplate for N-LINE-B-MAG and N-LINE-S-MAG profiles

REQUIRED PRODUCTS



N-LINE-B-MAG
P. 55

N-LINE-S-MAG
P. 55



N-LINE-B-MAG

Aluminium finishing profile for swing gates to combine with MAGUNIT

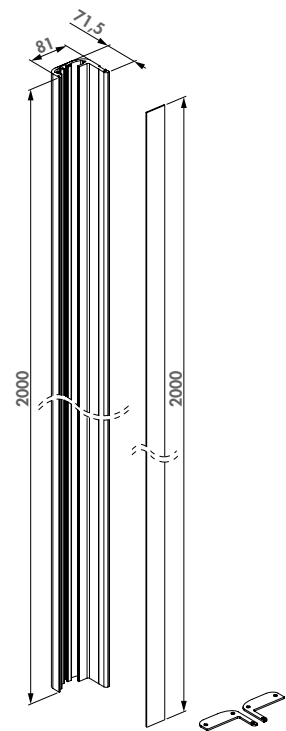
Adjustable, powder coated aluminium design profile for aesthetic closing of swing gates along with 1 or more MAGUNIT-2500. Prevents passersby to stumble against the protruding MAG parts.

COLOR OPTIONS

SILV 9005

SPECIFICATIONS

- Profile length of 2 m
- Fast and easy fixing with Quick-Fix
- Powder coated aluminium housing
- Specially designed for exterior use



COMPATIBLE MAGNET



MAGUNIT2500
P. 54

ORDER CODE

N-LINE-B-MAG Aluminium finishing profile for MAGUNIT-2500



N-LINE-S-MAG

Aluminium finishing profile for sliding gates to combine with MAGUNIT

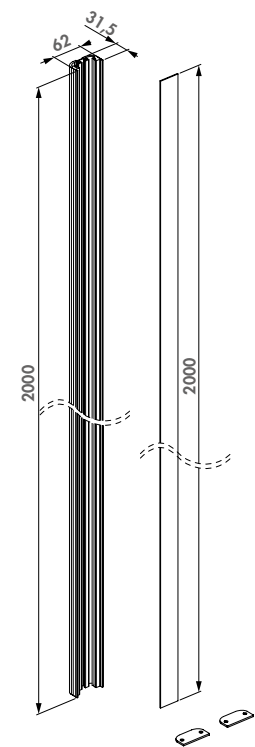
Adjustable, powder coated aluminium design profile for aesthetic closing of sliding gates along with 1 or more MAGUNIT-2500. Thanks to the integrated magnet and the armature plate, which are both integrated in the design profile, a safe and complete solution without any protruding components is guaranteed.

COLOR OPTIONS

SILV 9005

SPECIFICATIONS

- Profile length of 2 m
- Fast and easy fixing with Quick-Fix
- Powder coated aluminium housing
- Specially designed for exterior use



COMPATIBLE MAGNET



MAGUNIT2500
P. 54

ORDER CODE

N-LINE-S-MAG Aluminium finishing profile for MAGUNIT-2500



N-LINE-B-MAG-KIT

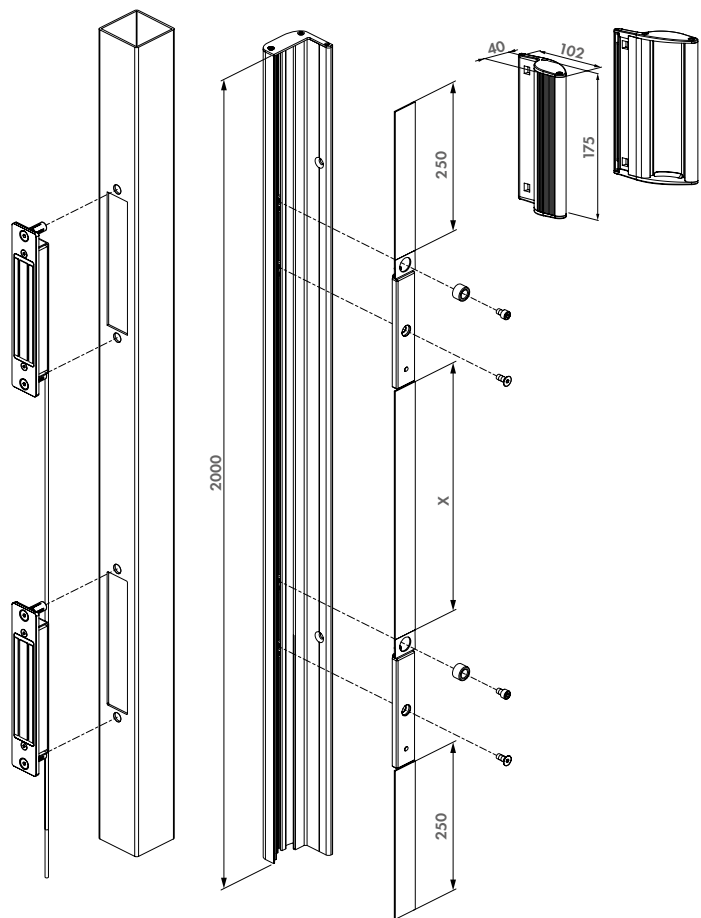
Set with N-LINE-B-MAG, 2x MAGUNIT & 3006PULL

Electromagnetic set for swing gates for fixing to the gate frame. The set consists of two MAGUNIT magnetic locks, the 3006PULL and an aesthetic design profile. Available in SILV and RAL9005.



SPECIFICATIONS

- Includes 2 integrated magnets equipped with Quick-Fix mounting (MAGUNIT-2500)
- Including aluminium filling profile with Quick-Fix mounting (N-LINE-B-MAG profile)
- Profile length of 2 m
- Including 2 aluminium covers for an aesthetical finishing on top and bottom
- Specially designed for exterior use
- Voltage: 12V / 24V DC
- Current: 460mA / 12V or 230mA / 24V



ORDER CODE

N-LINE-B-MAG-KIT Set with N-LINE-B-MAG profile and 2x MAGUNIT-2500

KIT INCLUDES



N-LINE-B-MAG
P. 55



MAGUNIT2500
P. 54



S-MAG

Integrated magnet lock for sliding gates

S-MAG is the perfect product to lock any type of sliding gate. It has a guaranteed tensile strength of 250 kg and resists extreme weather conditions. In case of harsh handling, the rubber bumpers prevent shaking of the gate. This way, the gate itself and its accessories are protected. The flexible assembly of the armature plate guarantees a normal closing, even if the gate isn't perfectly aligned.

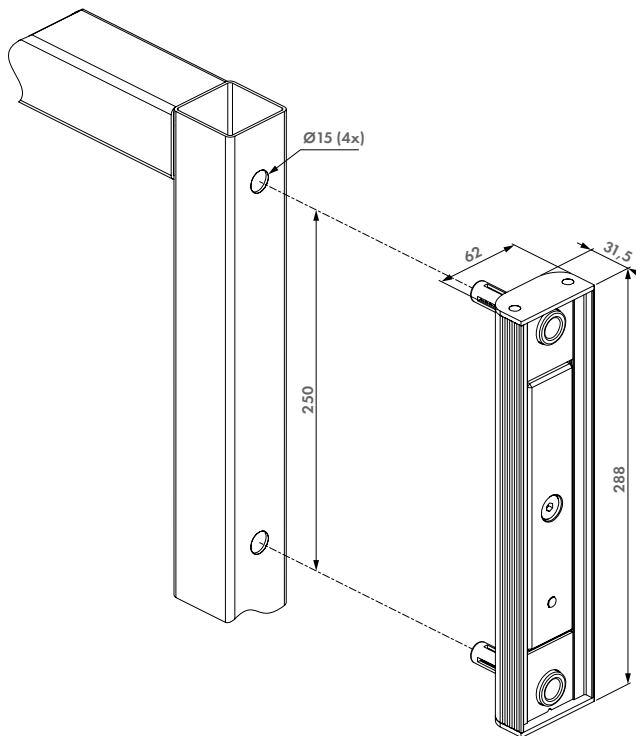


COLOR OPTIONS

SILV 9005

SPECIFICATIONS

- Guaranteed holding force tested on every magnetic lock
- 500h salt spray resistant! SGS certified (ISO 9227)
- Special two-layer protective coating developed for outdoor use
- Anti-residual magnetism kick-off system
- Minimal pulling force: 2500N (250 kg)
- Current: 460mA / 12V or 230mA / 24V
- Voltage: 12V / 24V DC
- IP68 rated - Extremely resistant to water and dust



ORDER CODE

S-MAG Integrated magnet and bolt-on anchorplate for sliding gates, 250 kg pulling force

RECOMMENDED PRODUCTS



SLIMSTONE-2
P. 38



PB-1
P. 58



DVK-HD
P. 59



DC-ACCESS-12V-20W
P. 60



DC-POWER-12V-20W
P. 61



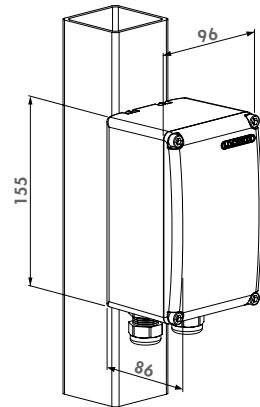
DC-POWER-24V-25W
P. 61



PB-1

Powerbox – Transformer housing

Aluminium powder coated transformer box with Quick-Fix for strong and easy fixing.



HOUSING COLOR OPTIONS

SILV 9005

SPECIFICATIONS

- Waterproof transformer box - IP66
- Aluminium powder coated
- DIN-rail (type TH35) included: 86 mm long
- Supplied with 2 gland nuts M20 and 2 stop plugs M16
- Designed with heat-dissipation fins at the back

COMPATIBLE PRODUCTS



POWERSTONE
P. 60



DC-ACCESS-12V-20W
P. 60



DC-POWER-12V-20W
P. 61



DC-POWER-24V-25W
P. 61

ORDER CODE

PB-1 Transformer housing with DIN-rail and Quick-Fix fixing



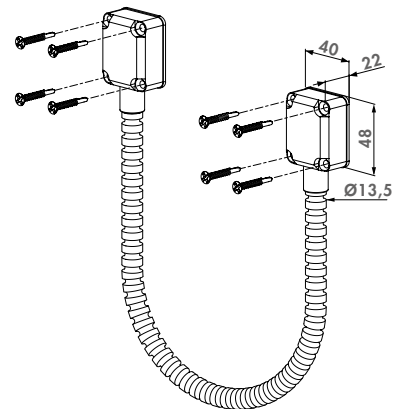
DVK

Guiding cable

Stainless steel guiding cable to protect your electrical wires in an outside environment.

SPECIFICATIONS

- Stainless steel guiding cable for electrical wire
- Length of the cable: 450 mm
- Supplied with 8 self tapping screws
- Inner diameter: Ø10 mm



RECOMMENDED CABLE



2005
P. 60

ORDER CODE

DVK Stainless steel guiding cable 450 mm



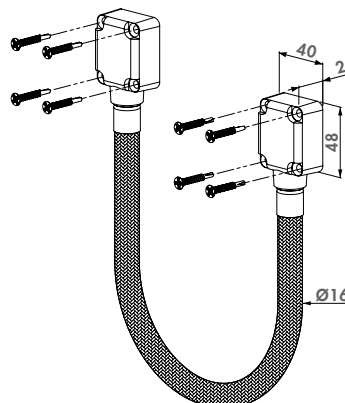
DVK-HD

Reinforced, braided stainless steel guiding cable

Aesthetic and durable solution for the guidance of electrical wiring. Protects your wiring against dirt, moist and vandalism in an outside environment. The cable wraps around and protects the cabling of your electrical gate hardware and avoids the risk of short circuiting.

SPECIFICATIONS

- Available with 450 or 650 mm braided cable
- Protects electrical wiring against vandalism, moist, dirt and vermin
- Strong fixation by means of 8 self-tapping stainless steel screws
- Cable entry: aluminium housing
- Inner diameter: Ø9 mm



RECOMMENDED PRODUCTS



POWERSTONE
P. 60

ORDER CODES

- | | |
|------------|---|
| DVK-HD-450 | Reinforced stainless steel guiding cable 450 mm |
| DVK-HD-650 | Reinforced stainless steel guiding cable 650 mm |



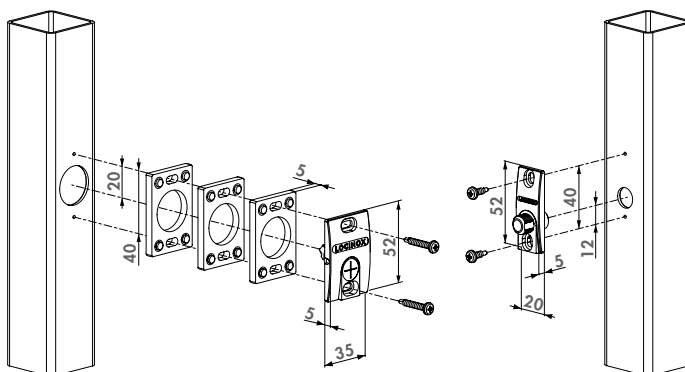
GATESWITCH

Position detection set for gates - stand alone

Multi-purpose position detection set, consisting of a magnet and magnetic switch. This set can be easily connected to any electrical system like your access control or security system. The distance between the magnets can be easily changed by means of an adjustable magnet and included filler plates.

SPECIFICATIONS

- Possibility to activate LED light when the sensor detects the magnet (requires 12V DC at the gate)
- Operates with Normally Open (N/O) or Normally Closed (N/C) contacts
- Required distance between the gate and the post is minimum 10 mm and maximum 50 mm
- Easy adjustment of distance between sensor and magnet by means of filling plates (fillers) and screwable magnet



RECOMMENDED POWER SUPPLIES



DC-POWER-12V-20W
P. 61



DC-ACCESS-12V-20W
P. 60

ORDER CODE

- | | |
|------------|---|
| GATESWITCH | For gate situations with a min. gap of 10 mm and max. 50 mm between post and gate |
|------------|---|



2005

Electrical wire

Electrical cable; very flexible and weatherproof.

SPECIFICATIONS

- Length of the wire: 5 m
- 2 × 0,75 mm²
- Water resistant & weatherproof
- Tested at 500.000 bendings

ORDER CODE

2005 Electrical cable 5 m - 2 × 0,75 mm²



AC-TRANS-12V-25W

Safety transformer 12V AC

Safety Transformer 12V AC

SPECIFICATIONS

- Mounting on DIN-rail or directly
- Power: 25W
- Primary voltage: 230V AC - Secondary voltage 12V AC
- Aluminium housing

ORDER CODE

AC-TRANS-12V-25W Transformer 12V AC - 25W



POWERSTONE

60W power supply

High-quality 60W switching-mode power supply. Plug & Play installation guaranteed and integrated overload indicator.

SPECIFICATIONS

- Input: 110-240 VAC, 50-60Hz, 1.2A maximum
- Output: +24V DC, 2.5A maximum, 60W
- Resettable overload indicator
- Auxiliary 24V DC output available

ORDER CODE

POWERSTONE 60W power supply



DC-ACCESS-12V-20W

All-in one 12V DC Access Module with integrated timer

All-in-one, Plug & Play Access Module (220V AC input). Including power supply and integrated timer with easy to read display and easy to operate: time range (1 to 99s) of switched state controlled by push buttons. A 12V DC Fail Open or Fail Close device can be easily connected to the module.

SPECIFICATIONS

- Mounting on DIN-rail or directly
- Robust control module: encapsulated for superior humidity resistance
- Input voltage: 230V AC / Maximum output power: 20W

ORDER CODE

DC-ACCESS-12V-20W All-in one 12V DC Access Module with integrated timer



DC-POWER-12V-20W

Safety power supply 12V and 13V DC

Safety power supply 12V / 13V DC - 20W

SPECIFICATIONS

- Mounting on DIN-rail or directly
- Power: 20W
- Primary voltage: 230V AC - Secondary voltage 12V / 13V DC
- Robust control module: encapsulated for superior humidity resistance

ORDER CODE

DC-POWER-12V-20W Power supply 12 V DC - 20 W



DC-POWER-24V-25W

Safety power supply 24V and 25V DC

Safety power supply 24V / 25V DC - 25W

SPECIFICATIONS

- Mounting on DIN-rail or directly
- Power: 25W
- Primary voltage: 230V AC - Secondary voltage 24V / 25V DC
- Robust control module: encapsulated for superior humidity resistance

ORDER CODE

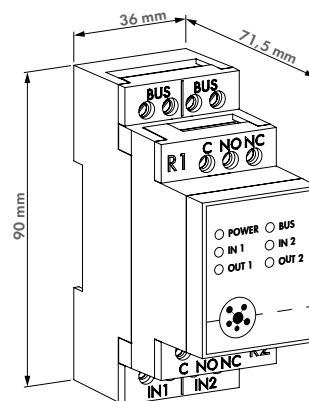
DC-POWER-24V-25W Power supply 24-25V DC - 25W



SWITCHSTONE-STD

2-channel relay module

The SwitchStone-STD relay module has been developed to work in combination with devices such as the SlimStone-X keypad. The SwitchStone-STD ensures maximum security thanks to 2 external relays, both with a Common, Fail Open and Fail Close contact. These relays are capable of switching voltages up to 250V AC/26V DC, allowing them to be used in a wide range of applications, including switching lighting. Free exit functionality can be easily implemented using the 2 inputs on the module.



SPECIFICATIONS

- Includes 2 250V AC/26V DC relays, each with COM, Fail Open and Fail Close contact
- Long range secure 2-wire communication with the SlimStone-X, up to 300 m distance
- Auto back up functionality
- DIN-rail mountable
- Tested from -30 up to +85° Celsius
- Relay switching duration adjustable between pulse and timer mode (500 ms - 99 s)
- To be used exclusively with the Powerstone 60W power supply
- Current: maximum 0.07 A
- Consumption: maximum 1.7 W

ORDER CODE

SWITCHSTONE-STD-X-230 2-channel relay module with NO/NC contact

COMPATIBLE PRODUCTS



SLIMSTONE-X
P. 38



PB-1
P. 58



POWERSTONE
P. 60



Turnstiles

The Locinox (electro)mechanical control unit allows you to easily create a maintenance free and high quality turnstile. You have an (electro)mechanical unit at your disposal with which you can match the design of your turnstile to the design of your fencing.

The complete Turnitec solution

Electro/mechanical control unit for turnstiles

1. TT-FO2 / TT-FC2 / TT-MM3S

Fail Open or Fail Close electromechanical module for access control

2. TT-DM3 120° / TT-SDM4 90°

Recommended hydraulic damping mechanism for extra user comfort

3. TT-BM3S 120° / TT-SM4S 90°

The essential module for any turnstile

4. TT-CL2

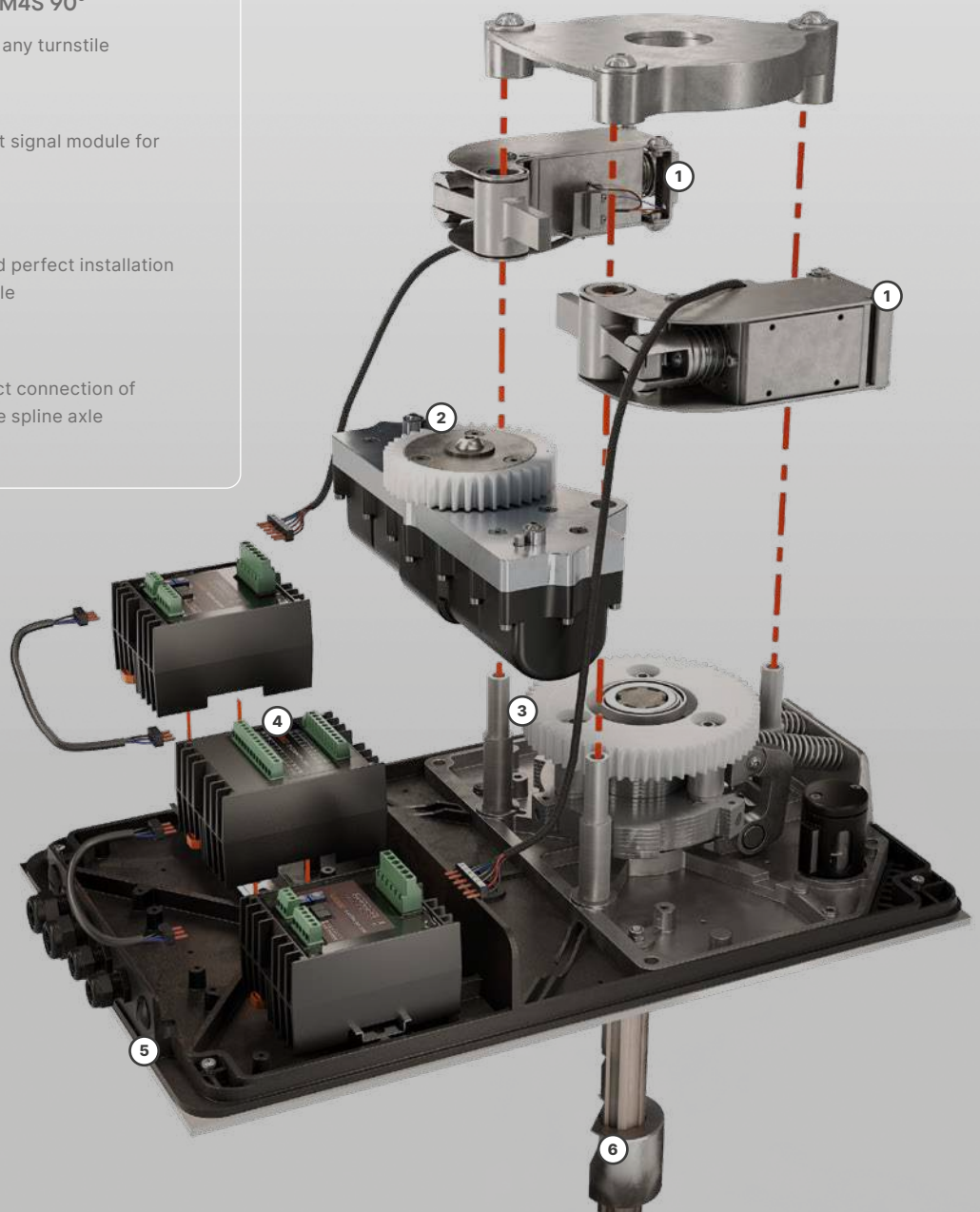
Counter and passing light signal module for visitor flow management

5. TT-BSP

Welding plate for fast and perfect installation of Turnitec on any turnstile

6. TT-SAH

Recommended for perfect connection of the basic module with the spline axle





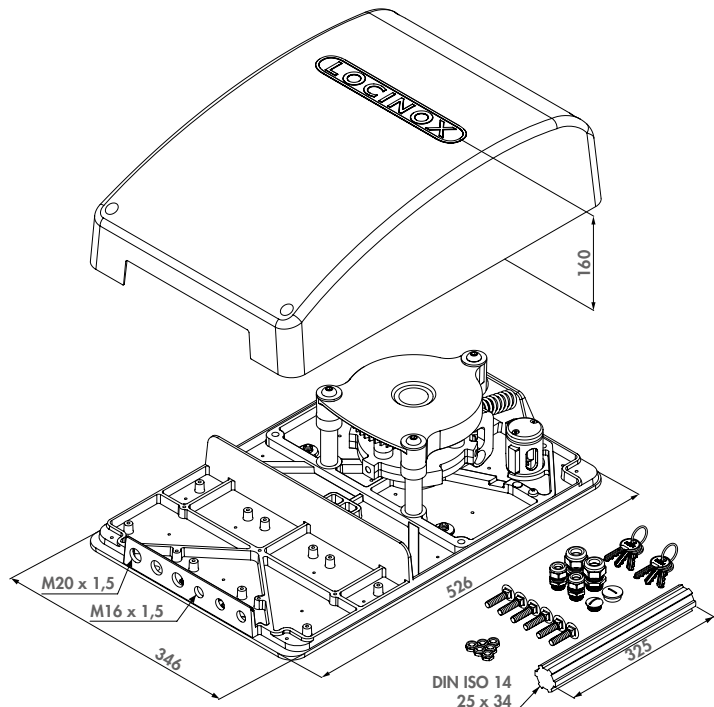
TTEC (Patented)

TURNITEC - Modular (electro)mechanical control unit for turnstiles

The Locinox (electro)mechanical control unit (3-arm 120° or 4-arm 90°) allows you to easily create a maintenance free and high quality turnstile. You can match the design of your turnstile to the design of your fencing! The Turnitec mechanism is applicable to any turnstile and a quick installation is guaranteed. Thanks to the 100% modular design you can adapt the mechanism to your customers' desires. A comfortable and safe operation is guaranteed by the optional damping system that is unaffected by temperature changes.

SPECIFICATIONS

- 100% modular system: composition according customers' desires and expandable at any moment
- Available for 3-arm (120°) and 4-arm (90°) turnstile
- Optional interchangeable left/right mechanical or electromechanical modules (Fail Open or Fail Close)
- Automatic return to starting position (by means of industrial pressure springs) after every passage
- Anti-passback security (locking after a 60° or 45° rotation): prevents the simultaneous passing of 2 persons
- Very robust implementation and strong connection with the turnstile by a 34 mm diameter spline axle (length 325 mm)
- Manufactured completely in rust-proof parts (stainless steel and aluminium)
- Optional damping system guarantees smooth and gradual movements. Damping is continuous and unaffected by temperature changes (patented system)
- Possible to set signal duration
- IP55 housing protects the mechanism against water, dirt, wind, dust and vermin



ORDER CODE

TTEC-BMS-FO2-FC2-DM-CL2

Full option Turnitec, Base mechanism + 1 Fail Open module + 1 Fail Close module + Hydraulic damper + 1 Counter & Light module

COMPATIBLE TURNITEC MODULES



TT-BM3S
P. 66



TT-DM3
P. 66



TT-FO2
P. 67



TT-FC2
P. 67



TT-MM3S
P. 67



TT-CL2
P. 67



TT-BM3S

TURNITEC base mechanism for 3-arm turnstile

With the TURNITEC base mechanism you can bi-directionally operate your turnstile free-turning. This 3-arm (120°) mechanism can be modularly expanded with the mechanical and electromechanical locking modules and a hydraulic damper to further finetune the access control and usability of your turnstile.

SPECIFICATIONS

- With easy to mount optional welding plate and spline axle
- Modular system to further expand

ORDER CODE

TT-BM3S Base mechanism 3-arm 550 × 350 × 170 mm



TT-DM3 (Patented)

Hydraulic damper for TURNITEC for 3-arm turnstile

Unique hydraulic damper for your TURNITEC mechanism. The first half of the rotation is undamped and the second half is damped progressively thanks to the continuous damping of the mechanism. This results in a fluent motion of the turnstile and avoids the turnstile hitting the users heels.

SPECIFICATIONS

- Damping of the rotational movement is continuous and progressive and starts from 60° in the 3-arm version
- Easy to retrofit on an existing TURNITEC system

ORDER CODE

TT-DM3 Hydraulic damping module for TT-BM3



TT-SM4S

TURNITEC base mechanism for 4-arm turnstile

With the TURNITEC base mechanism you can bi-directionally operate your turnstile free-turning. This 4-arm turnstile (90°) mechanism can be modularly expanded with the mechanical and electromechanical locking modules and a hydraulic damper to further finetune the access control and usability of your turnstile.

SPECIFICATIONS

- With easy to mount optional welding plate and spline axle
- Modular system to further expand

ORDER CODE

TT-SM4S Base mechanism 4-arm 550 × 350 × 170 mm



TT-SDM4 (Patented)

Hydraulic damper for TURNITEC for 4-arm turnstile

Unique hydraulic damper for your TURNITEC mechanism. The first half of the rotation is undamped and the second half is damped progressively thanks to the continuous damping of the mechanism. This results in a fluent motion of the turnstile and avoids the turnstile hitting the users heels.

SPECIFICATIONS

- Patented hydraulic damping system for 4-arm TURNITEC (90°)
- Easy to retrofit on an existing TURNITEC system

ORDER CODE

TT-SDM4 Hydraulic damping module for TT-SM4S



TT-CL2

Counter & passing light signals module for TURNITEC

Plug&Play module which enables connecting counters and passing light signals in both turning directions. A counter tells you how many people are on the terrain or how many rotations your turnstile made, while passing light signals guarantee a swift, safe and correct use of the turnstile.

SPECIFICATIONS

- Easy to connect with the TT-FO32 and TT-FC32 module
- For both clockwise (CW) and counterclockwise (CCW) direction a voltage free changeover contact (NO&NC) is provided for passing light signal control (max 250V AC (30V DC)/1A)

ORDER CODE

TT-CL2 Turnitec counter & passing lights module



TT-FO2

Fail Open electromodule for TURNITEC

With the electromechanical module an operator has the ability to control incoming and outgoing traffic. Granting access or closing the system, changing the rotational direction and executing access control, all can be managed easily with the TURNITEC module.

SPECIFICATIONS

- Input voltage: 220V AC / Maximum output power: 25W
- Anti-passback security: protected against the simultaneous entrance of 2 persons thanks to the 60° locking mechanism

ORDER CODE

TT-FO2 Fail-Open access control electromodule



TT-FC2

Fail Close electromodule for TURNITEC

With the electromechanical module an operator has the ability to control incoming and outgoing traffic (granting access, changing the rotational direction and executing access control). After authorisation the turnstile is unlocked electronically and visitors have access to the terrain.

SPECIFICATIONS

- Input voltage: 220V AC / Maximum output power: 25W
- Anti-passback security: protected against the simultaneous entrance of 2 persons thanks to the 60° locking mechanism

ORDER CODE

TT-FC2 Fail-Close access control electromodule



TT-MM3S

Mechanical module for TURNITEC

This module for the TURNITEC mechanism offers the advantage of working completely mechanical. No power supply or cabling is needed. The release and locking of a direction of rotation is easy to set with a Europrofile cylinder lock. People can enter the terrain by pushing the turnstile arm.

SPECIFICATIONS

- Can be used for left or right rotation
- Anti-passback security: protected against the simultaneous entrance of 2 persons thanks to the 60° locking mechanism

ORDER CODE

TT-MM3S Mechanical access control module





Locks

Locinox locks guarantee a well operating gate. Every lock is thoroughly tested excessively in our own test center where they are exposed to the most extreme circumstances. This ensures us that our locks will work in all weather conditions. We offer a variety of locks for garden gates, industrial gates or swimming pool gates.

Locinox locks - the safest solution in gate protection.

Industrial quality and modularity

3 YEARS PREMIUM WARRANTY

MAINTENANCE FREE

30+ YEARS OF EXPERTISE



QUICK AND FLEXIBLE

- 500+ configurations
- Shipping within 24 hours

SECURE

- Day and night bolt (1)
- 1.000 kg lateral holding force
- 23 mm locking (2)

EASY INSTALLATION

- Adjustable day bolt
- 4-hole pattern
- QUICK-FIX mounting (3)

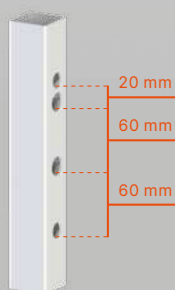
MAINTENANCE-FREE

- Corrosion resistant
- 100% stainless steel mechanism (4)
- KTL-coated lock box (5)

PROVEN QUALITY

- 500K cycles guaranteed testing
- 3-year warranty

1 easy installation method for all our locks



It gets even better.
Endless upgrades possible!

One drilling template for all our locks and keeps. With this interchangeability, the Locinox lock gives you the opportunity to offer a solution for every situation.

	Electric gate lock with fail open or close functionality		Anti-panic lock for free exit		Ornamental gate lock
	Gate lock with 2 cylinders		Gate lock with child proof security knob		Push handle set
	Mechanical code lock		Push bar for free exit		Electric code lock
Compatible with many keeps					
	Adjustable security keep out of stainless steel		Surface mounted electric strike		Surface mounted electric security keep



LAKQU2 (Patented)

Surface mounted gate lock

High quality gate lock with aluminium housing and stainless steel mechanism. We advise this lock as a standard for all your industrial gates. The 20 mm continuous adjustability of the bolts allows a perfect latching / locking of the mechanism. A solid stainless steel deadbolt with a 23 mm throw guarantees a secure locking. Standard supplied with anodized aluminium handle pair. For a fast and highly precise installation, we recommend using the Drill-Fix drilling jig.



STAINLESS
STEEL

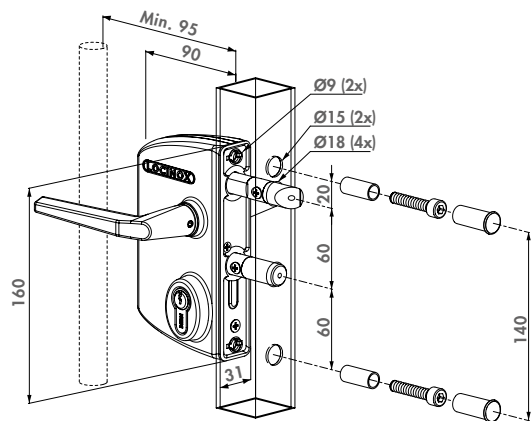


LOCK BOX COLOR OPTIONS

SILV 9005 7016 6009 6005 9010

SPECIFICATIONS

- ISO 9227 KTL / E-coated lock box withstands 1000 hours of salt spray test
- Easy left or right changing of the self-latching daybolt
- 23 mm throw of the dead bolt, in 1 turn of the key
- Key-operated self-latching bolt
- 4-hole fixing with two hexagon socket head screws
- 60 mm center distance of the bolts
- Continuous adjustment of the daybolt up to 20 mm without dismounting the lock box
- Stainless steel mechanism



LOCKS FOR SWING GATES

RECOMMENDED KEEPS



SAKLQF
P. 113



SH-KLQF
P. 113



MODULEC-SA
P. 112

ORDER CODES

Profile width (mm)	Square	Round
10 to 30	•	
30 to 50	•	•
40 to 60	•	•
60 to 80	•	•
80 to 100	•	•
100 to 120	•	•

RECOMMENDED HANDLES



3006B
P. 190



3006I
P. 192



3006D
P. 191



KIDLOC
P. 186

EASY EXIT HANDLES & ACCESSORIES



PUSHBAR-L
P. 187



3006PUSH
P. 186



ROLLTOP
P. 203



SHROUD-LA
P. 183

LAKQU3 (Patented)

Surface mounted gate lock for Swiss profile cylinder

High grade gate lock with aluminium housing and stainless steel mechanism. This lock is delivered without a cylinder and is suitable for use with a Ø22 mm cylinder (Swiss profile cylinder). The 20 mm continuous adjustability of the bolts allows a perfect latching / locking of the mechanism. A solid stainless steel deadbolt with a 23 mm throw guarantees a secure locking. Standard supplied with anodized aluminium handle pair. For a fast and highly precise installation, we recommend using the Drill-Fix drilling jig.



STAINLESS
STEEL

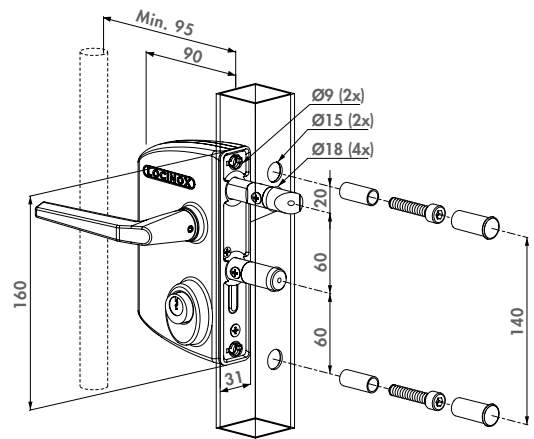


LOCK BOX COLOR OPTIONS

SILV 9005 7016 6009 6005 9010

SPECIFICATIONS

- ISO 9227 KTL / E-coated lock box withstands 1000 hours of salt spray test
- Easy left or right changing of the self-latching daybolt
- Lock box for Swiss profile cylinder (Ø22 mm)
- 23 mm throw of the dead bolt, in 1 turn of the key
- Key-operated self-latching bolt
- 4-hole fixing with two hexagon socket head screws
- 60 mm center distance of the bolts
- Continuous adjustment of the daybolt up to 20 mm without dismantling the lock box
- Stainless steel mechanism



RECOMMENDED KEEPS



SH-KLQF
P. 113



SAKLQF
P. 113



MODULEC-SA
P. 112

ORDER CODES

Profile width (mm)	Square	Round
10 to 30	•	
30 to 50	•	•
40 to 60	•	•
60 to 80	•	•

RECOMMENDED HANDLES



3006M
P. 190



3006I
P. 192



3006B
P. 190



3006R
P. 191

EASY EXIT HANDLES & ACCESSORIES



PUSHBAR-L
P. 187



3006PUSH
P. 186



SHROUD-LA
P. 183



DRILLFIX
P. 177



LUKYJ5 (Patented)

Surface mounted US Mortise cylinder gate lock (USA)

Excellent gate lock with aluminium housing and stainless steel mechanism. Developed specifically to use with a standard 29 mm mortise cylinder. Comes standard with 5pin keyed alike or keyed different (drilled 6pin). The latch and dead bolt have 10 mm continuous adjustment to allow perfect alignment of the locking mechanism. A stainless steel throw of 23 mm guarantees secure locking. For a fast and highly precise installation, we recommend using the Drill-Fix drilling jig.



STAINLESS
STEEL

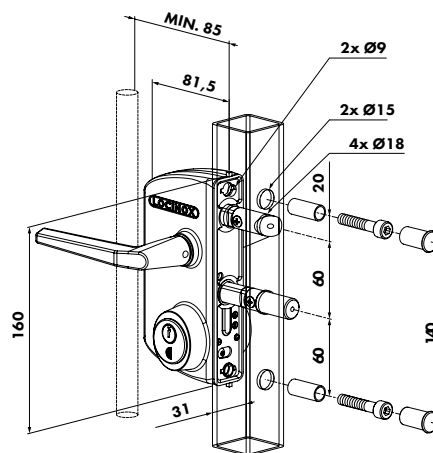


LOCK BOX COLOR OPTIONS

SILV 9005

SPECIFICATIONS

- ISO 9227 KTL / E-coated lock box withstands 1000 hours of salt spray test
- Lock for 29 mm length Mortise profile cylinder (Schlage Keyway & Adams Rite Cam)
- Fixing cylinder inch thread 6 mm
- Easy left or right changing of the self-latching daybolt
- 23 mm throw of the dead bolt, in 1 turn of the key
- Key-operated self-latching bolt
- Continuous adjustment of 10 mm for the bolts without removing the lock
- 4-hole fixing with two hexagon socket head screws
- Interchangeable with all Locinox surface mounted locks
- 80 mm lock box width



LOCKS FOR SWING GATES

RECOMMENDED KEEPS



SH-KLQF
P. 113



SAKLQF
P. 113



MODULEC-SA
P. 112

ORDER CODE

Profile width (mm)	Square	Round
10 to 20	•	
20 to 30	•	
30 to 40	•	
40 to 50	•	
50 to 60	•	
60 to 70	•	

RECOMMENDED HANDLES



3006M
P. 190



3006FA
P. 192



3006B
P. 190

ACCESSORIES



ROLLTOP
P. 203



MULTITOOL
P. 176



MRT-118
P. 206



DRILLFIX
P. 177

LDKZD1

Surface mounted double cylinder gate lock for swing gates

High-quality swing gate lock with aluminium housing and stainless steel mechanism with 2 cylinders. You only need to use 1 of the cylinders in order to open or to close the lock. This lock is ideal to provide entry to third parties like firemen or waste collectors. The double locking of the solid stainless steel night bolt ensures a secure closing. For a fast and highly precise installation, we recommend using the Drill-Fix drilling jig.



STAINLESS
STEEL

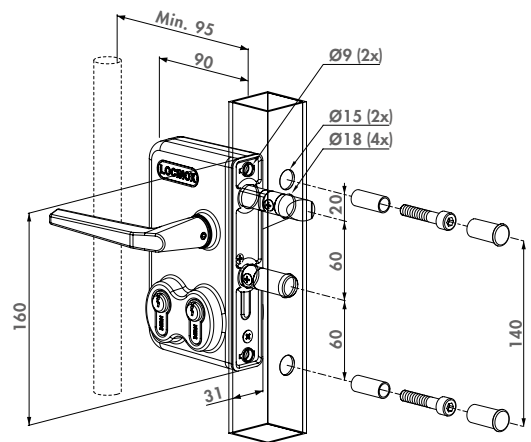


LOCK BOX COLOR OPTIONS

SILV 9005 7016 6005

SPECIFICATIONS

- ISO 9227 KTL / E-coated lock box withstands 1000 hours of salt spray test
- For gate profiles from 10 to 100 mm
- Stainless steel mechanism
- Non-adjustable day and night bolt
- Easy left or right changing of the self-latching daybolt
- Double throw of the night bolt 23 mm
- Key-operated self-latching bolt
- 4-hole fixing with two hexagon socket head screws
- Interchangeable with all Locinox surface mounted locks



RECOMMENDED KEEPS



SAKLQF
P. 113



SH-KLQF
P. 113



MODULEC-SA
P. 112

ORDER CODES

Profile width (mm)	Square	Round
10	•	
30	•	
40	•	•
50	•	•
60	•	•
80	•	
100	•	

CYLINDERS AND ACCESSORIES



3012-POC
P. 206



3071
P. 208



DRILLFIX
P. 177



3970LA
P. 176



EN 179 LPKQU2

Surface mounted anti-panic gate lock



Stainless steel superior anti-panic lock with aluminium housing. EN179 certified configuration possible with LPKQ U2 for 40 & 60 mm gate frames with SAKL keep, 3006A-2 handle and 3012-54-STD- cylinder. Escape or exit from inside is possible at all times by operating the handle. Mechanical access from the outside is always possible by operating the cylinder. The 20 mm continuous adjustability of the bolts allows a perfect latching / locking of the mechanism. A solid stainless steel deadbolt with a 23 mm throw guarantees a secure locking. For a fast and highly precise installation, we recommend using the Drill-Fix drilling jig.



STAINLESS STEEL

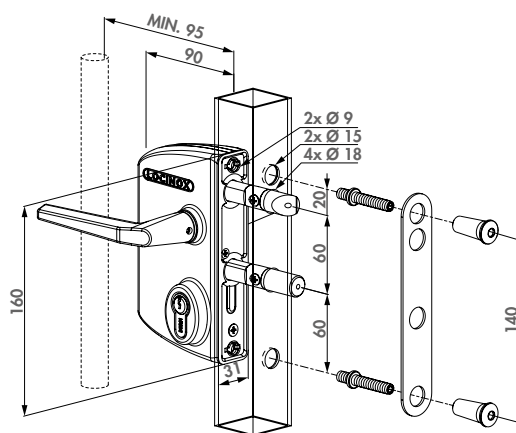


LOCK BOX COLOR OPTIONS

SILV 9005 7016 6009 6005 9010

SPECIFICATIONS

- EN179 certified configuration available
- ISO 9227 KTL / E-coated lock box withstands 1000 hours of salt spray test
- Easy left or right changing of the self-latching daybolt
- 23 mm throw of the dead bolt, in 1 turn of the key
- Key-operated self-latching bolt
- 4-hole fixing with two hexagon socket head screws
- 60 mm center distance of the bolts
- Continuous adjustment of the daybolt up to 20 mm without dismounting the lock box
- Stainless steel mechanism
- Tested up to 500.000 movements
- Panic function E / Switch function



LOCKS FOR SWING GATES

RECOMMENDED KEEPS



SAKLQF
P. 113



SH-KLQF
P. 113



MODULEC-SA
P. 112

ORDER CODES

Profile width (mm)	Square	Round
40 to 60	•	
60 to 80	•	
80 to 100	•	
100 to 120	•	

RECOMMENDED HANDLES



PUSHBAR-L
P. 187



3006PUSH
P. 186



3006A-2
P. 188



SHROUD-LA
P. 183

ACCESSORIES



ROLLTOP
P. 203



3970LA
P. 176



MULTITOOL
P. 176



DRILLFIX
P. 177

LOKQY2 (Patent pending)

VALENTINO - Surface mounted battery powered code lock

High quality battery powered electronic code lock with aluminium housing. Valentino's energy efficient design makes it very easy to equip any gate with access control, with a minimal need for maintenance. Pincodes can be easily added, modified or removed. The 20 mm continuous adjustability of the bolts allows a perfect latching / locking of the mechanism.



STAINLESS
STEEL



500 K
CYCLES



BATTERY
POWERED



180°

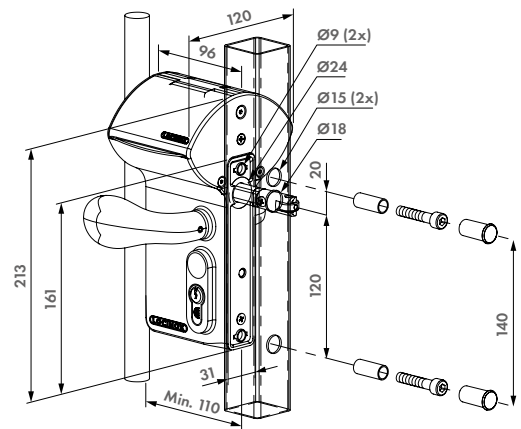


COLOR OPTIONS

SILV 9005 6005

SPECIFICATIONS

- ISO 9227 KTL / E-coated lock box withstands 1000 hours of salt spray test
- Weather protected illuminated electronic code panel on both sides
- Extremely strong and vandal proof design
- Energy efficient, with up to 150,000 open/close cycles on same set of batteries
- Operates on batteries, battery pack included
- Low battery warning light
- Easy programming of up to 100 user codes
- Support for free-exit, pushbar, and code controlled handles
- Key-operated unlocking and programming functionality
- Supports permanently open codes
- Different entrance and exit codes possible
- IP56



RECOMMENDED KEEPS



SAKLQF
P. 113



SH-KLQF
P. 113

ORDER CODES

Profile width (mm)	Square	Round
30 to 50	•	•
40 to 60	•	•
60 to 80	•	•
80 to 100	•	•
100 to 120	•	•

RECOMMENDED HANDLES



3006C
P. 189



3006I
P. 192



3006D
P. 191

COMPATIBLE WITH EVERY GATE CLOSER



SAMSON-2
P. 23



VERTICLOSE-2
P. 27



MAMMOTH180
P. 20



TIGER
P. 19



NEW **LNKQ** (Patent pending)

VOLTA - Surface mounted lock with external battery powered keypad

With VOLTA, you can easily add access control to your gate. This solution combines a surface mounted lock with a separate keypad, connected through the gate profile. The lock seamlessly fits into the modular Locinox hole pattern. You have the option to select, modify, or delete up to 100 PIN codes.

Thanks to an energy-efficient battery set, which lasts for up to 150,000 open and close cycles in all weather conditions, there is no need for an external power supply. Available in two configurations: double with two keypads or single with one keypad and a free exit.



STAINLESS
STEEL

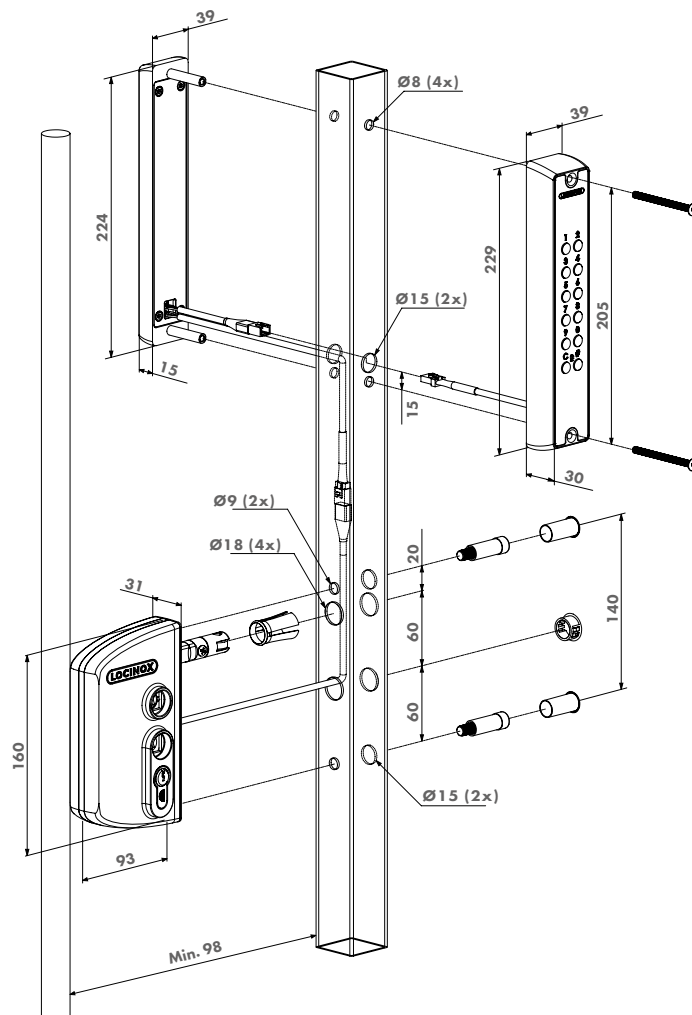


COLOR OPTIONS

SILV 9005 7016

SPECIFICATIONS

- Weatherproof and LED-illuminated electronic code keypad
- Double-sided or single-sided keypad (free exit) with separate battery
- Energy efficient, with up to 150,000 open/close cycles on same set of batteries
- IP56
- Easy programming of up to 100 user codes
- Supports codes for permanently open and free exit
- Extremely strong and vandal proof design
- For 40-60 mm gate profiles
- Aluminium keypad: black powder coated or silver anodised
- Lock box in various colours
- ISO 9227 KTL / E-coated lock box withstands 1000 hours of salt spray test



LOCKS FOR SWING GATES

ORDER CODES

LNKQ40C1L For square 40 to 60 mm profiles - single sided

RECOMMENDED KEEPS



SAKLQF
P. 113



SH-KLQF
P. 113



LMKQV2 (Patented)

VINCI - Surface mounted mechanical code lock

High quality mechanical code lock with aluminium housing and stainless steel mechanism. The Vinci requires no batteries nor electricity, which makes it very easy to equip any gate with access control. The 20 mm continuous adjustability of the bolts allows a perfect latching / locking of the mechanism. A solid stainless steel deadbolt with a 23 mm throw guarantees a secure locking. For a fast and highly precise installation, we recommend using the Drill-Fix drilling jig.



STAINLESS
STEEL

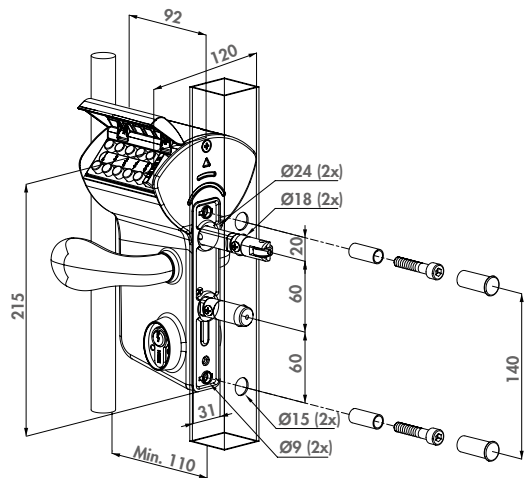


LOCK BOX COLOR OPTIONS

SILV 9005 7016 6005

SPECIFICATIONS

- Mechanical code panel on both sides
- ISO 9227 KTL / E-coated lock box withstands 1000 hours of salt spray test
- Possibility to work with different entrance and exit codes
- Polyamide rain and dust cover
- Easy and fast set-up or modification of the access codes
- With adjustable rollerbolt for easy closing
- Extremely strong and user-friendly mechanism
- Automatic code reset after pushing the handle
- Anti-code detection with integrated security press plate
- Interchangeable with all Locinox surface mounted locks



RECOMMENDED KEEPS



SAKLQF
P. 113



SH-KLQF
P. 113

ORDER CODES

Profile width (mm)	Square	Round
10 to 30	•	
30 to 50	•	•
40 to 60	•	•
60 to 80	•	•
80 to 100	•	•
100 to 120	•	•

RECOMMENDED HANDLES



3006C
P. 189



3006I
P. 192



3006D
P. 191

COMPATIBLE WITH EVERY GATE CLOSER



SAMSON-2
P. 23



VERTICLOSE-2
P. 27



MAMMOTH180
P. 20



TIGER
P. 19



LFKQX1 (Patented)

FREE VINCI - Surface mounted mechanical code lock with secured entrance and free exit

Superb mechanical code lock with aluminium housing and stainless steel mechanism. The Free Vinci offers you the possibility to secure one side with a code for entrance while leaving the other side free for exit. No batteries nor electricity are required, which makes it very easy to equip any gate with access control. The 20 mm continuous adjustability of the bolt allows a perfect latching / locking of the mechanism. For ornamental and chain link gates. For a fast and highly precise installation, we recommend using the Drill-Fix drilling jig.



STAINLESS
STEEL

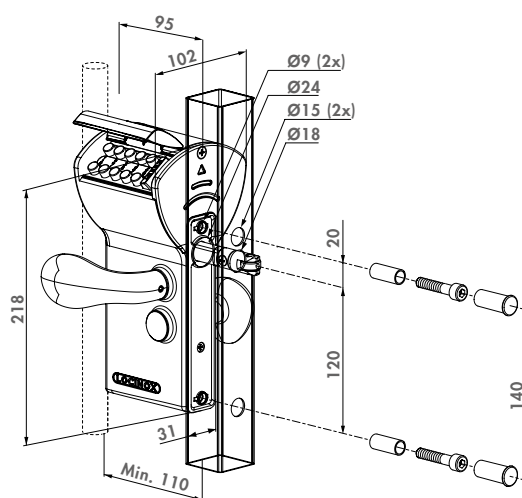


LOCK BOX COLOR OPTIONS

SILV 9005 6005

SPECIFICATIONS

- ISO 9227 KTL / E-coated lock box withstands 1000 hours of salt spray test
- Entrance secured by code, free exit
- Code panel with stainless steel push buttons on one side
- Polyamide rain and dust cover
- Easy and fast set-up or modification of the access codes
- With adjustable rollerbolt for easy closing
- Extremely strong and user-friendly mechanism
- Automatic code reset after pushing the handle
- Anti-code detection with integrated security press plate
- Interchangeable with all Locinox surface mounted locks



LOCKS FOR
SWING GATES

RECOMMENDED KEEPS



SAKLQF
P. 113



SH-KLQF
P. 113

ORDER CODES

Profile width (mm)	Square	Round
10 to 30	•	
30 to 50	•	•
40 to 60	•	•
60 to 80	•	•
80 to 100	•	
100 to 120	•	

ACCESSORIES



PUSHBAR-L
P. 187



3006PUSH
P. 186



SHROUD-LF
P. 183



LEKQU2 (Patented)

Surface mounted electric gate lock with Fail Open functionality

High quality electrical lock with aluminium housing and stainless steel mechanism. The handles are blocked when the lock is powered. The 20 mm continuous adjustability of the bolts allows a perfect latching / locking of the mechanism. A solid stainless steel deadbolt with a 23 mm throw guarantees a secure locking. For a fast and highly precise installation, we recommend using the Drill-Fix drilling jig.



STAINLESS
STEEL

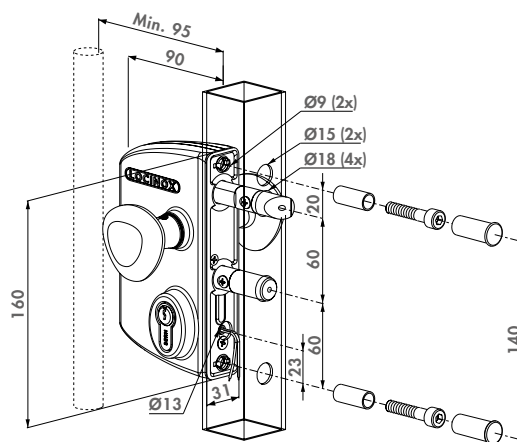


LOCK BOX COLOR OPTIONS

SILV 9005 7016 6009 6005 9010

SPECIFICATIONS

- ISO 9227 KTL / E-coated lock box withstands 1000 hours of salt spray test
- Fail Open: Lock is open when power is interrupted
- Blocking or releasing of the handles
- Easy left or right changing of the self-latching daybolt
- 23 mm throw of the dead bolt, in 1 turn of the key
- Key-operated self-latching bolt
- Continuous adjustment of the daybolt up to 20 mm without dismantling the lock box
- 4-hole fixing with two hexagon socket head screws
- Interchangeable with all Locinox surface mounted locks
- Voltage: 12V AC/DC
- Current: 0,3A



RECOMMENDED KEEPS



SAKLQF
P. 113



SH-KLQF
P. 113

ORDER CODES

Profile width (mm)	Square	Round
30 to 50	•	•
40 to 60	•	•
60 to 80	•	•
80 to 100	•	

RECOMMENDED HANDLES & CABLE GUIDING



3006R
P. 191



DVK
P. 58



DVK-HD
P. 59

RECOMMENDED POWER SUPPLIES



DC-ACCESS-12V-20W
P. 60



AC-TRANS-12V-25W
P. 60



DC-POWER-12V-20W
P. 61

LOCKS FOR
SWING GATES



LIKQU2 (Patented)

Surface mounted electric gate lock with Fail Close functionality

Electric gate lock made of excellent quality with aluminium housing and stainless steel mechanism. This gate lock blocks the handles when there is no power (Fail Close). The 20 mm continuous adjustability of the bolts allows a perfect latching / locking of the mechanism. A solid stainless steel deadbolt with 23 mm throw guarantees a secure closure. For a fast and highly precise installation, we recommend using the Drill-Fix drilling jig.



STAINLESS
STEEL

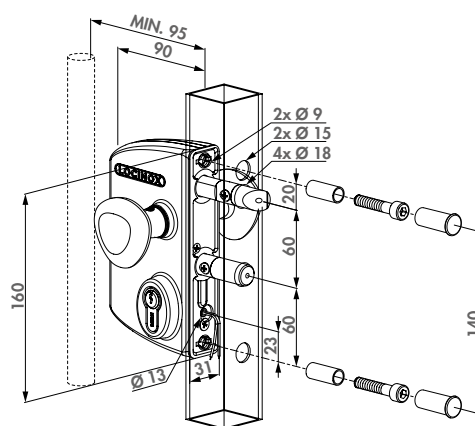


LOCK BOX COLOR OPTIONS

SILV 9005 7016 6009 6005 9010

SPECIFICATIONS

- ISO 9227 KTL / E-coated lock box withstands 1000 hours of salt spray test
- Fail Close: Lock is closed when power is interrupted
- Blocking or releasing of the handles
- Easy left or right changing
- 23 mm throw of the dead bolt, in 1 turn of the key
- Key-operated self-latching bolt
- Continuous adjustment of the daybolt up to 20 mm without dismounting the lock box
- 4-hole fixing with two hexagon socket head screws
- Voltage: 12V AC/DC
- Current: 0,3A



LOCKS FOR
SWING GATES

RECOMMENDED KEEPS



SAKLQF
P. 113



SH-KLQF
P. 113

ORDER CODES

Profile width (mm)	Square	Round
30 to 50	•	•
40 to 60	•	•
60 to 80	•	•
80 to 100	•	•

RECOMMENDED HANDLES & CABLE GUIDING



3006R
P. 191



DVK
P. 58



DVK-HD
P. 59

RECOMMENDED POWER SUPPLIES



DC-ACCESS-12V-20W
P. 60



AC-TRANS-12V-25W
P. 60



DC-POWER-12V-20W
P. 61

LAKYF2 (Patented)

Small surface mounted ornamental gate lock

Quality ornamental lock with aluminium housing and stainless steel mechanism. We advise this lock as a standard for all your ornamental gates. The 10 mm continuous adjustability of the bolts allows a perfect latching / locking of the mechanism. A solid stainless steel deadbolt with a 23 mm throw guarantees a secure locking. Standard supplied with zamac ornamental handle pair. For a fast and highly precise installation, we recommend using the Drill-Fix drilling jig.



STAINLESS
STEEL

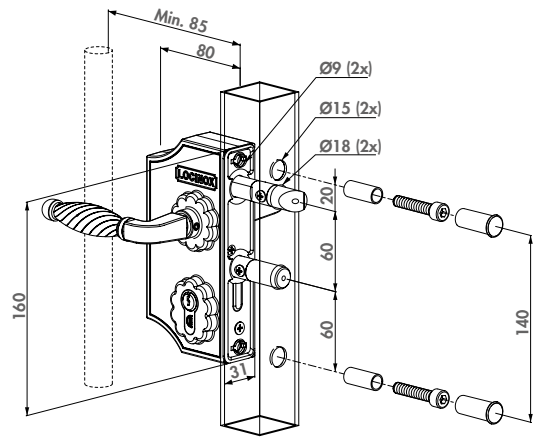


LOCK BOX COLOR OPTIONS

SILV 9005 7016 6009 6005 9010

SPECIFICATIONS

- ISO 9227 KTL / E-coated lock box withstands 1000 hours of salt spray test
- Easy left or right changing of the self-latching daybolt
- 23 mm throw of the dead bolt, in 1 turn of the key
- Continuous adjustment of 10 mm for the bolts without removing the lock
- Key-operated self-latching bolt
- 4-hole fixing with two hexagon socket head screws
- 60 mm center distance of the bolts



RECOMMENDED KEEPS



SPKZ-QF
P. 116



SPKZ-TK
P. 116



MODULEC-SA
P. 112

ORDER CODES

Profile width (mm)	Square	Round
10 to 20	•	
20 to 30	•	
30 to 40	•	
40 to 50	•	
50 to 60	•	
60 to 70	•	

COMPATIBLE HANDLES



3006FA
P. 192



3006I
P. 192



KIDLOC
P. 186



3006B
P. 190

ORNAMENTAL HINGES



G-ORNA-LR
P. 147



G-ORNA-WP
P. 147



LAKQH2 (Patented)

Large surface mounted ornamental gate lock

Excellent ornamental lock with aluminium housing and stainless steel mechanism. We advise this lock as a standard for all your ornamental gates. The 20 mm continuous adjustability of the bolts allows a perfect alignment of your locking mechanism. A solid stainless steel deadbolt with a 23 mm throw guarantees a secure locking. Standard supplied with zamac ornamental handle pair. For a fast and highly precise installation, we recommend using the Drill-Fix drilling caliber.



STAINLESS
STEEL

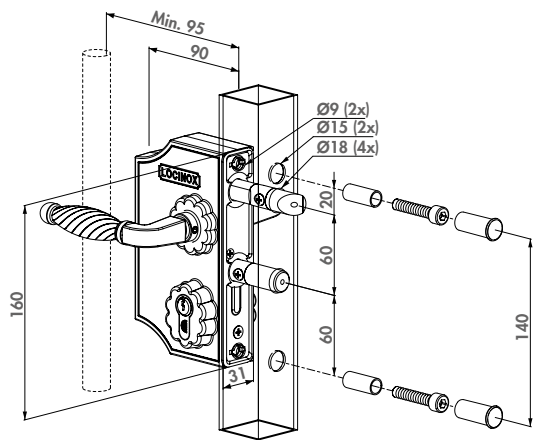


LOCK BOX COLOR OPTIONS

SILV 9005 7016 6009 6005 9010

SPECIFICATIONS

- ISO 9227 KTL / E-coated lock box withstands 1000 hours of salt spray test
- Easy left or right changing of the self-latching daybolt
- 23 mm throw of the dead bolt, in 1 turn of the key
- Continuous adjustment of the daybolt up to 20 mm without dismantling the lock box
- Key-operated self-latching bolt
- 4-hole fixing with two hexagon socket head screws
- 60 mm center distance of the bolts



LOCKS FOR
SWING GATES

RECOMMENDED KEEPS



SPKZ-QF
P. 116



SPKZ-TK
P. 116



MODULEC-SA
P. 112

ORDER CODES

Profile width (mm)	Square	Round
10 to 20	•	
30 to 50	•	•
40 to 60	•	•
60 to 80	•	•

COMPATIBLE HANDLES



3006FA
P. 192



3006D
P. 191



KIDLOC
P. 186



3006B
P. 190

ORNAMENTAL HINGES



G-ORNA-LR
P. 147



G-ORNA-WP
P. 147

LAKZP1

Surface mounted garden gate lock

Economical garden/pedestrian gate lock with polyamide housing and stainless steel mechanism. This lock is advised as a standard for all your small gates. A solid stainless steel deadbolt with a 23 mm throw guarantees a secure locking. For a fast and highly precise installation, we recommend using the Drill-Fix drilling caliber.



STAINLESS
STEEL

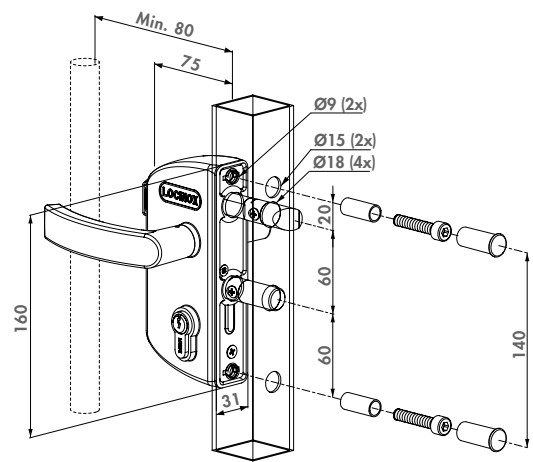


LOCK BOX COLOR OPTIONS

9005 7040 7016 6009 6005 9010

SPECIFICATIONS

- Easy left or right changing of the self-latching daybolt
- 23 mm throw of the dead bolt, in 1 turn of the key
- 4-hole fixing with two hexagon socket head screws
- Polyamide lock box and handles
- 60 mm center distance of the bolts
- For 40 mm gate profiles only
- Interchangeable with all Locinox surface mounted locks
- No key operation of the daybolt



RECOMMENDED KEEPS



SMKLQF
P. 114



SKRZ
P. 114



SAKLQF
P. 113

ORDER CODES

Profile width (mm)	Square	Round
40	•	•

RECOMMENDED HANDLES



3006P
P. 192



3006G
P. 192



KIDLOC
P. 186

ACCESSORIES



3006PC
P. 115



3970LA
P. 176



DRILLFIX
P. 177



ROLLTOP
P. 203



LAKZPIWSI (Patented)

Surface mounted child safety lock

Child safety gate lock with stainless steel mechanism and polyamide housing. This lock is conform to the swimming pool safety standard NF P90-306. The child safety lock prevents little children from accessing the pool. The unique rollerbolt facilitates the closing of the gate. For a fast and highly precise installation, we recommend using the Drill-Fix drilling jig.



STAINLESS
STEEL

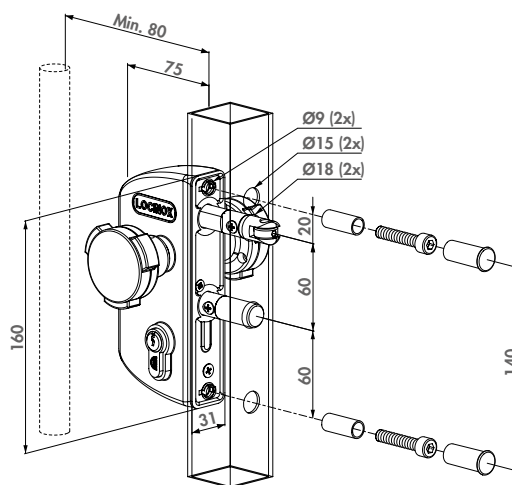


LOCK BOX COLOR OPTIONS

9005 7040 7016 6009 6005 9010

SPECIFICATIONS

- Stainless steel lock mechanism
- Polyamide lock box
- With adjustable rollerbolt for easy closing
- With Kidloc: child safety handle for swimming pools
- A complete package including a high-quality stainless steel lock in combination with a security knob and a stainless steel rollerbolt conforms to swimming pool standard NF P90-306



CHILD SAFETY LOCKS

RECOMMENDED KEEPS



SMKLQF
P. 114

SKRZ
P. 114

ORDER CODE

Profile width (mm)	Square	Round
40	•	
50	•	

RECOMMENDED GATE CLOSERS



TIGER
P. 19

MAMMOTH180
P. 20

LION
P. 24

SWING40
P. 153

ACCESSORIES



KIDLOC
P. 186

ROLLTOP
P. 203

3970LA
P. 176

DRILLFIX
P. 177

FORTIMA (Patented)

Sleek & sturdy child safe magnetic latch for pools & parks

The Fortima is a magnetic child-safe gate latch that ensures safety, security and ease of entrance for single leaf gates. Fortima's patented internal leverage allows for smooth opening and, with its unmatched magnetic force, closes securely. The anodized aluminium and powder coated components make the Fortima as attractive as it is functional. Installation is easy on a wide range of gate materials and being compatible with most international code requirements, the Fortima can be rekeyed to match any existing lock.

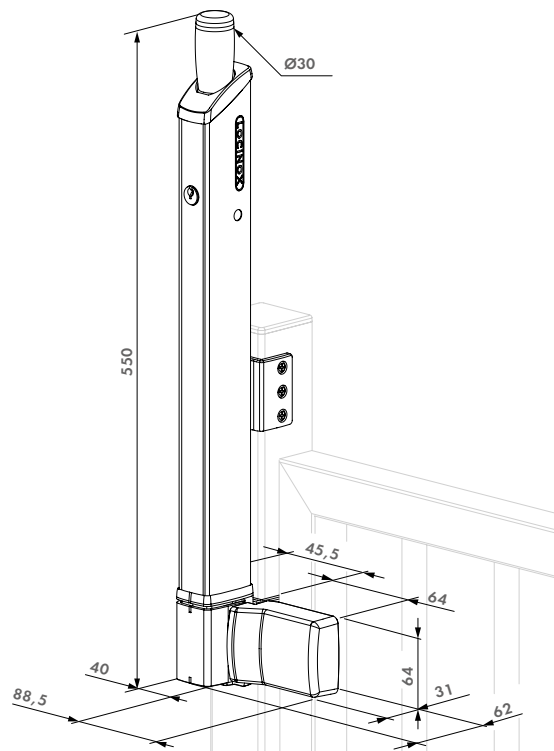


COLOR OPTIONS

9005

SPECIFICATIONS

- Unique and extremely durable patented design with anodized aluminium housing
- Strongest magnetic force on the market: magnetic distance of 30 mm (2x industry standard!)
- Tested up to 2 million cycles - Limited Lifetime Warranty!
- Rekeyable to match any lock: Schlage-C Key-in-knob cylinder (5pin, drilled 6pin)
- Full vertical adjustability and 25 mm horizontal adjustability - a gap of 10 mm up to 45 mm
- Push down prevention: only opens when magnet is pulled up, adding additional security
- Perfect for metal, vinyl or wooden gates, available for round (R) and square (K) posts



COMPATIBLE CYLINDERS



KIK-114
P. 206

3012-54-STD
P. 205

ORDER CODE

FORTIMA-SD-K	Child safe magnetic latch, with KIK cylinder and self-drilling screws for square posts
FORTIMA-SD-R	Child safe magnetic latch, with KIK cylinder and self-drilling screws for round posts
FORTIMA-QF	Child safe magnetic latch, with Europrofile cylinder and Quick-Fix bolts for square posts

COMPATIBLE GATE CLOSERS



TIGER
P. 19



SERVAL
P. 28



CARACAL
P. 29



SWING40
P. 153



GUARDIMA (Patented)

Sleek and sturdy child safe magnetic latch for pools and parks

The Guardima is a magnetic child-safe gate latch ensuring safety and security for single leaf gates. Guardima is installed on the gate and its patented internal leverage allows for smooth opening and closing, thanks to its unmatched magnetic force. The anodized aluminium and powder coated components make the Guardima as attractive as it is functional, adding elegance and value to your pool, park, playground or back yard. Thanks to Quick-Fix, installation is easy and firmly on a wide range of gate materials and is compatible with most international code requirements.

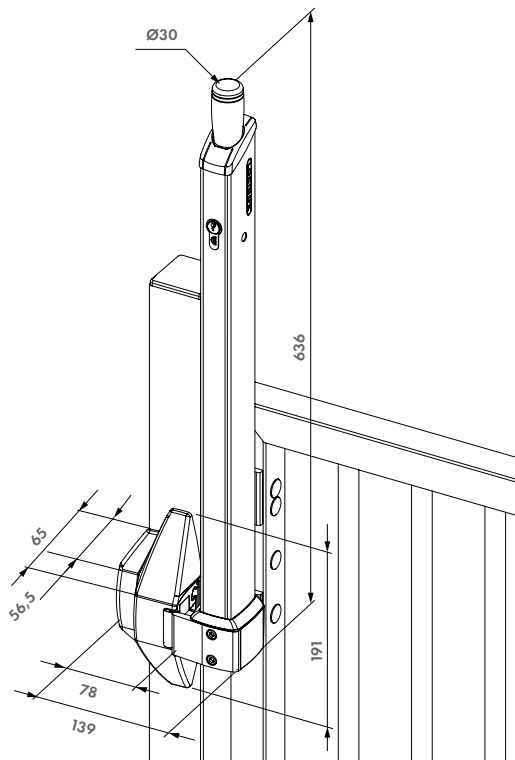


COLOR OPTIONS

9005

SPECIFICATIONS

- Magnetic latch installed on the gate
- Extreme weather resistance in any climate
- Unique and extremely durable patented design with anodized aluminium housing
- Strongest magnetic force on the market: magnetic distance of 30 mm (2x industry standard!)
- Tested up to 2 million cycles
- Full 30 mm vertical adjustability and 30 mm horizontal adjustability - a gap of 15 mm up to 45 mm
- Push down prevention: only opens when magnet is pulled up, adding additional security
- Meets international standards for pool gates (always confirm with the respective authorities)



CHILD SAFETY LOCKS

COMPATIBLE CYLINDERS



3012-54-STD
P. 205

COMPATIBLE GATE CLOSERS



TIGER
P. 19



SERVAL
P. 28



CARACAL
P. 29



SWING40
P. 153

ORDER CODE

GUARDIMA-FM Sleek and sturdy child safe magnetic latch for pools and parks - Flush mounted

TWIST40 (Patented)

Swimming pool gate lock

High quality swimming pool gate lock with stainless steel mechanism and black PA and powder coated aluminium housing. This lock is conform to the swimming pool safety standard NF P90-306. The Twist has a two-handling operation which prevents the access to the pool for little children. The unique rollerbolt facilitates the closing of the gate.



STAINLESS
STEEL

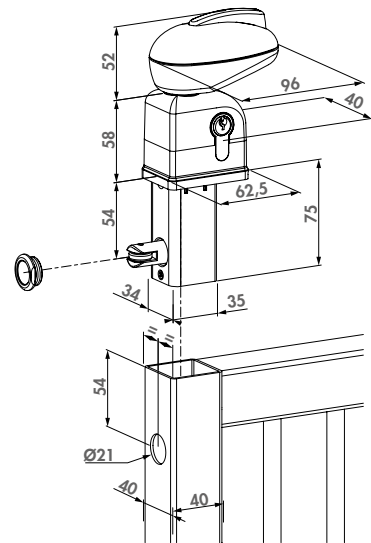


LOCK BOX COLOR OPTIONS

9005 9010

SPECIFICATIONS

- Stainless steel lock mechanism
- Stainless steel rollerbolt facilitating the closing of the gate
- We strongly advise you to read the swimming pool safety standard NF P90-306 before manufacturing any swimming pool gate
- For 40 mm gate profiles only
- Maximum profile thickness: 2 mm



RECOMMENDED KEEPS



STKQF
P. 118



STR60 QF
P. 118

ORDER CODE

Profile width (mm)	Square	Round
40	•	

RECOMMENDED GATE CLOSERS



CARACAL
P. 29



TIGER
P. 19



LION
P. 24



SWING40
P. 153

COMPATIBLE HINGES



SERVAL
P. 28



GBM12
P. 154



GBM12-DP40
P. 154



GBM16-DP
P. 155



LLKZV2 (Patented)

LEONARDO

Mechanical code lock for sliding gates

Mechanical code lock for sliding gates with aluminium housing and stainless steel mechanism. Since no electricity nor batteries are required, the mechanical code lock gives you the opportunity to equip any sliding gate fast and easily with access control. The unique Twistfinger and conforming auto-correcting keep guarantees a perfect closing of your sliding gate.



STAINLESS
STEEL

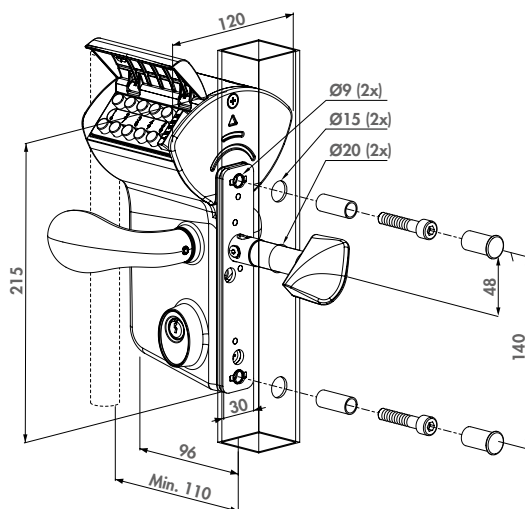


LOCK BOX COLOR OPTIONS

SILV 9005 7016 6005

SPECIFICATIONS

- 100% mechanical: no battery nor electricity required
- Adjustable for horizontal or vertical mounting of the keep (catch bolt)
- Mechanical code panel on both sides
- Possibility to work with different entrance and exit codes
- Equipped with dust and rain covers
- Easy and fast set-up or modification of the access codes
- Possibility of setting up 4 to 6 digit codes
- Extremely strong and user-friendly mechanism
- Automatic code reset after pushing the handle
- Anti-code detection with integrated security press plate
- Stainless steel collar around the Twistfinger prevents cutting through the Twistfinger (catchbolt)



LOCKS FOR
SLIDING GATES

RECOMMENDED KEEPS



SSKZ QF
P. 117



O-SET
P. 117

ORDER CODES

Profile width (mm)	Square	Round
40	•	•
50	•	
60	•	
80	•	
100	•	
120	•	

RECOMMENDED ACCESSORIES



3970LS
P. 176



DRILL HSS 15
P. 176



MULTITOOL
P. 176

LSKZU2 (Patent pending)

Surface mounted sliding gate lock

First-grade lock for manual sliding gates with aluminium housing and stainless steel mechanism. The unique Twistfinger and conforming self-correcting keep guarantees a perfect closing of your sliding gate. For a fast and highly precise installation, we recommend using the Drill-Fix drilling jig.



STAINLESS
STEEL

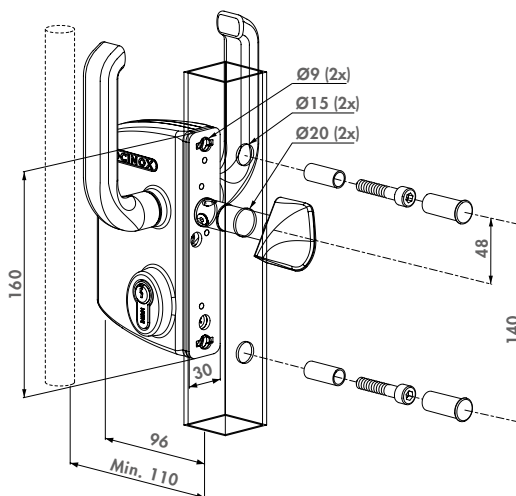


LOCK BOX COLOR OPTIONS

SILV 9005 7016 6009 6005 9010

SPECIFICATIONS

- ISO 9227 KTL / E-coated lock box withstands 1000 hours of salt spray test
- Mechanism and Twistfinger in stainless steel
- Adjustable for horizontal or vertical mounting of the keep (catch bolt)
- Fixing with 2 hexagon socket head screws
- Innovative closing system
- Stainless steel collar around the Twistfinger prevents cutting through the Twistfinger (catchbolt)
- Standard with reinforced aluminium handle pair
- 3006S: Square 10 mm follower



RECOMMENDED KEEPS



SSKZ QF
P. 117



O-SET
P. 117

ORDER CODES

Profile width (mm)	Square	Round
40	•	•
50	•	•
60	•	•
80	•	•
100	•	•
120	•	•

RECOMMENDED HANDLE & ACCESSORIES



3006S
P. 191



3970LS
P. 176



DRILL HSS 15
P. 176



MULTITOOL
P. 176



LGKZD1

Double cylinder lock

Industrial sliding gate lock with aluminium housing and stainless steel mechanism with 2 cylinders. You only need to use 1 of the cylinders in order to open or to close the lock. This is the perfect lock to provide entry to third parties like firemen or waste collectors.



STAINLESS
STEEL

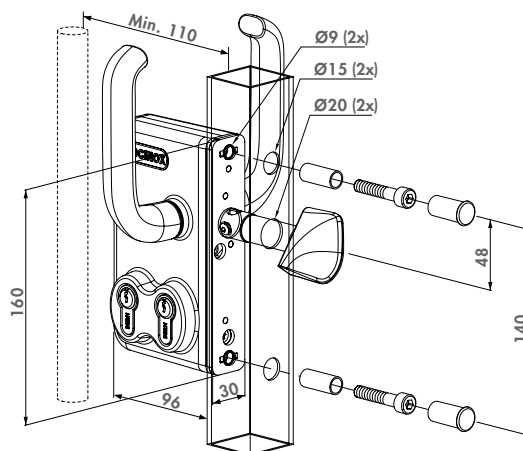


LOCK BOX COLOR OPTIONS

SILV 9005 7016 6005

SPECIFICATIONS

- ISO 9227 KTL / E-coated lock box withstands 1000 hours of salt spray test
- For gate profiles from 40 to 120 mm depth
- Mechanism and Twistfinger in stainless steel
- Adjustable for horizontal or vertical mounting of the keep (catch bolt)
- Innovative closing system
- Stainless steel collar around the Twistfinger prevents cutting through the Twistfinger (catchbolt)
- 3-hole fixing with two hexagon socket head screws
- Exchangeable with Locinox LS-Locks
- Standard with reinforced aluminium handle pair



LOCKS FOR
SLIDING GATES

RECOMMENDED KEEPS



SSKZ QF
P. 117



O-SET
P. 117

ORDER CODES

Profile width (mm)	Square	Round
40	•	•
50	•	•
60	•	•
80	•	•
100	•	•
120	•	•

CYLINDERS AND ACCESSORIES



3012-POC
P. 206



3071
P. 208



3006S
P. 191

Uniwing

Universal profile preparation for the full range of insert locks, keeps and accessories

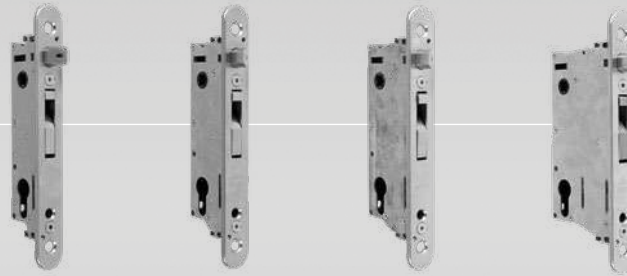
Preparation
for insert lock
and keep range

FORTYLOCK

FIFTYLOCK

SIXTYLOCK

EIGHTYLOCK



VERA



3020-HYB

3025-HYB

HYB-BLIND



VITA



3006C

3006-HOLD

3006-PAD



One Preparation for Multiple Solutions

How can you simplify, speed up, and reduce the costs of gate production and installation? The UNIWING concept offers a uniform profile preparation for both gate wings (or a single gate wing and a fixed post) as a comprehensive solution for the insert lock range. The rectangular cutout (176 × 22 mm) with crescent shapes at the top and bottom makes it easy to install both insert locks and insert keeps with the Click-It system. Upgrades, such as cover plates, aesthetic handles, or access control through mechanical or electronic keypads, are always possible.



FORTYLOCK (Patented)

Insert lock with 20 mm backset for profiles of 40 mm or more

Insert lock with 100% stainless steel mechanism. The stainless steel adjustable self-latching bolt and hook combined with the right keep guarantee a strong and solid closed gate where the gate wings can not be pulled apart or forced open. The lock can be installed on metal, aluminium and PVC gates. Thanks to the patented "Click-It" system, installing the lock can be done in a matter of seconds.

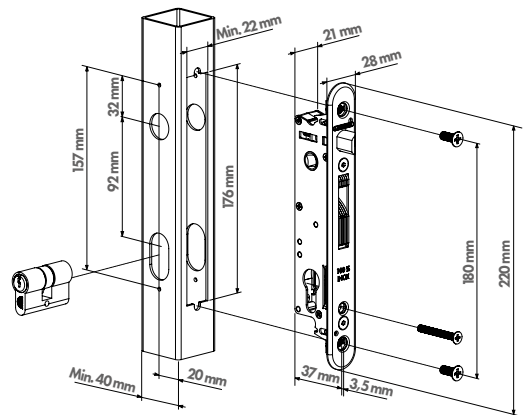


STAINLESS
STEEL



SPECIFICATIONS

- Lock mechanism with cover plate against dirt penetration
- Patented "Click-It" system makes thread tapping unnecessary
- Continuous adjustment of the daybolt up to 10 mm without dismantling the lock box
- Key-operated self-latching bolt
- Mechanism, hook, frontplate, latchbolt: stainless steel
- Easy left or right changing of the self-latching daybolt
- Throw of the hook: 21 mm
- The center distance between the cylinder and the handle: 92 mm
- Optional: cover shield for handle & cylinder holes in aluminium, polyamide or stainless steel
- Handles to be ordered separately
- Compatible with all Europrofile cylinders
- UNIWING-compatible



RECOMMENDED KEEPS



MODULEC-SF
P. 124



SFKO
P. 121



SFKU
P. 122

ORDER CODE

FORTYLOCK Insert lock with 20 mm backset for profiles of 40 mm or more

OPTIONAL COVER SHIELDS



3020-HYB-A2
P. 105



3020-HYB-ALU
P. 105



3025-HYB
P. 105

RECOMMENDED HANDLES



3006M-H
P. 193



3006J-H
P. 193



3006B-H
P. 193



3006FIX
P. 184

FIFTYLOCK (Patented)

Insert lock with 30 mm backset for profiles of 50 mm or more

Prime insert lock with 100% stainless steel mechanism. The stainless steel adjustable self-latching bolt and hook combined with the correct keep guarantee a strong and solid closed gate where the gate wings can not be pulled apart or forced open. The lock can be installed on metal, aluminium and PVC gates. Thanks to the patented "Click-It" system the lock is mounted in seconds.

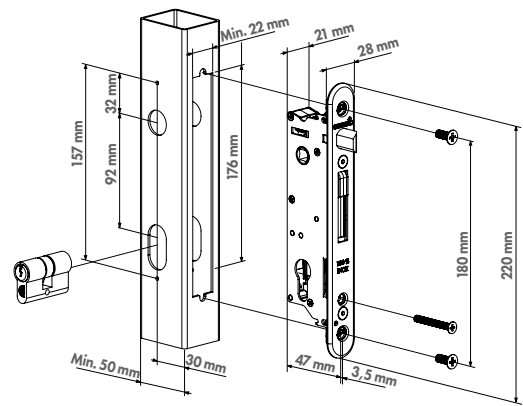


STAINLESS
STEEL



SPECIFICATIONS

- Stainless steel lock mechanism with cover plate against dirt penetration
- Mechanism, hook, frontplate, latchbolt: stainless steel
- Backset 30 mm, for mounting in profiles of 50 mm depth or more
- Continuous adjustment of the daybolt up to 10 mm without dismounting the lock box
- Key-operated self-latching bolt
- Easy left or right changing of the self-latching daybolt
- Throw of the hook: 21 mm
- The center distance between the cylinder and the handle: 92 mm
- Compatible with all Europrofile cylinders
- Handles to be ordered separately
- Optional: cover shield for handle & cylinder holes in aluminium, polyamide or stainless steel
- UNIWING-compatible



RECOMMENDED KEEPS



MODULEC-SF
P. 124



SFKO
P. 121



SFKU
P. 122

ORDER CODE

FIFTYLOCK Insert lock with 30 mm backset for profiles of 50 mm or more

OPTIONAL COVER SHIELDS



3020-HYB-A2
P. 105



3020-HYB-ALU
P. 105



3025-HYB
P. 105

RECOMMENDED HANDLES



3006M-H
P. 193



3006J-H
P. 193



3006B-H
P. 193



3006FIX
P. 184

SIXTYLOCK (Patented)

Insert lock with 40 mm backset for profiles of 60 mm or more

Prime insert lock with 100% stainless steel mechanism. The stainless steel, adjustable self-latching bolt and hook combined with the right keep guarantee a strong and solid closed gate where the gate wings can not be pulled apart or forced open. The lock can be installed on metal, aluminium and PVC gates. Thanks to the patented "Click-It" system the lock is mounted in seconds.

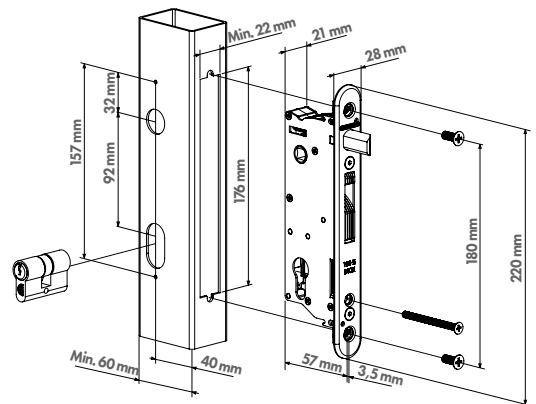


STAINLESS
STEEL



SPECIFICATIONS

- Stainless steel lock mechanism with cover plate against dirt penetration
- Mechanism, hook, frontplate, latchbolt: stainless steel
- Backset 40 mm, for mounting in profiles of 60 mm of depth or more
- Continuous adjustment of the daybolt up to 10 mm without dismantling the lock box
- Key-operated self-latching bolt
- Easy left or right changing of the self-latching daybolt
- Throw of the hook: 21 mm
- The center distance between the cylinder and the handle: 92 mm
- Compatible with Europrofile cylinder
- Handles to be ordered separately
- Optional: cover shield for handle & cylinder holes in aluminium, polyamide or stainless steel
- UNIWING-compatible



RECOMMENDED KEEPS



SFKB
P. 120



INTRALEC
P. 124



SFKM
P. 122

ORDER CODE

SIXTYLOCK Insert lock with 40 mm backset for profiles of 60 mm or more

OPTIONAL COVER SHIELDS



3020-HYB-A2
P. 105



3020-HYB-ALU
P. 105



3025-HYB
P. 105

RECOMMENDED HANDLES



3006M-H
P. 193



3006B-H
P. 193



3006J-H
P. 193



3006PAD-H
P. 194



EIGHTYLOCK (Patented)

Insert lock with 60 mm backset for profiles of 80 mm or more

Prime insert lock with 100% stainless steel mechanism. The stainless steel, adjustable self-latching bolt and hook combined with the right keep guarantee a strong and solid closed gate where the gate wings can not be pulled apart or forced open. The lock can be installed on metal, aluminium, wooden and PVC gates. Thanks to the patented "Click-It" system the lock is mounted in seconds.

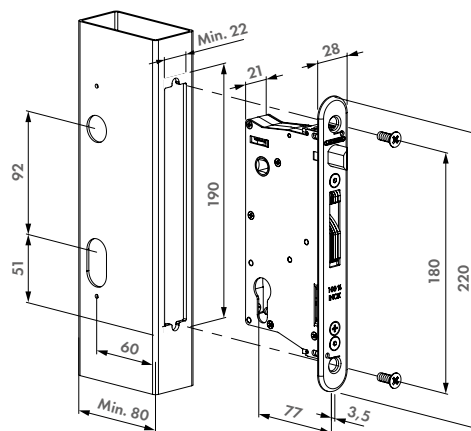


STAINLESS STEEL



SPECIFICATIONS

- Stainless steel lock mechanism with cover plate against dirt penetration
- Mechanism, hook, frontplate, latchbolt: stainless steel
- Backset 60 mm, for mounting in profiles of 80 mm of depth or more
- Continuous adjustment of the daybolt up to 10 mm without dismounting the lock box
- Key-operated self-latching bolt
- Easy left or right changing of the self-latching daybolt
- Throw of the hook: 21 mm
- The center distance between the cylinder and the handle: 92 mm
- Compatible with Europrofile cylinder
- Handles to be ordered separately
- Perfect for wooden gates
- UNIWING-compatible



INSERT LOCKS

RECOMMENDED KEEPS



SFKM
P. 122



MODULEC-SF
P. 124



INTRALEC
P. 124

ORDER CODES

EIGHTYLOCK-M	Insert lock with 60 mm backset for profiles of 80 mm or more for metal gates
EIGHTYLOCK-W	Insert lock with 60 mm backset for profiles of 80 mm or more for wooden gates

OPTIONAL COVER SHIELDS



3020-HYB-A2
P. 105



3020-HYB-ALU
P. 105



3020-HYB-STD
P. 105

RECOMMENDED HANDLES



3006M-H
P. 193



3006B-H
P. 193



3006J-H
P. 193



3006PAD-H
P. 194



FORTYSET

Complete insert lock set with keep for metal, PVC or aluminium gates

Complete set to equip your metal, PVC or aluminium gates with a stainless steel insert lock and keep.

SPECIFICATIONS

- Complete set with lock, keep, cover plates, handles and cylinder
- 54 mm Europrofile cylinder with three keys

ORDER CODES

FORTYSET-40I-BA	Fortylock + SFKI + 3020-HYB-ALU-9005 + 3006B-H + 3012-54-STD-VSZ
FORTYSET-40I-JA	Fortylock + SFKI + 3020-HYB-ALU-SILV + 3006J-H + 3012-54-STD-VSZ
FORTYSET-40I-MA	Fortylock + SFKI + 3020-HYB-ALU-SILV + 3006M-H + 3012-54-STD-VSZ
FORTYSET-40P-GP	Fortylock + SFKP + 3020-HYB-STD + 3006G + 3012-54-STD-VSZ
FORTYSET-40S-BA	Fortylock + SFKU-40-9005 + 3020-HYB-ALU-9005 + 3006B-H + 3012-54-STD-VSZ
FORTYSET-40S-JA	Fortylock + SFKU-40-ALUM + 3020-HYB-ALU-SILV + 3006J-H + 3012-54-STD-VSZ



FIFTYSET

Complete Fiftylock insert set with keep for metal, PVC or aluminium gates

Complete Fiftylock set to equip your metal, PVC or aluminium gates with a stainless steel insert lock and keep.

SPECIFICATIONS

- Complete set with Fiftylock, keep, cover plates, handles and cylinder
- 60 mm Europrofile cylinder with three keys

ORDER CODES

FIFTYSET-50S-BA	Fiftylock + SFKU-40-9005 + 3020-HYB-ALI-9005 + 3006B-H + 3012-60-STD-VSZ
FIFTYSET-50U-JA	Fiftylock + SFKU-40-ALUM + 3020-HYB-ALU + 3006J-H + 3012-60-STD-VSZ



SIXTYSET

Complete Sixtylock insert set with keep for metal, PVC or aluminium gates

Complete Sixtylock set to equip your metal, PVC or aluminium gates with a 10 mm adjustable, stainless steel insert lock and keep.

SPECIFICATIONS

- Complete set with Sixtylock, keep, cover plates, handles and cylinder
- 80 mm Europrofile cylinder with three keys

ORDER CODES

SIXTYSET-60U-JA	Sixtylock + SFKU-40-ALUM + 3020-HYB-ALU-SILV + 3006J-H + 3012-70-STD-VSZ
SIXTYSET-60S-BA	Sixtylock + SFKU-9005 + 3020-HYB-ALU-9005 + 3006B-H + 3012-70-STD-VSZ



INSERT LOCKS



NEW **VERA** (Patent pending)

VERA - Battery powered code lock for insert locks



Add access control to pedestrian gates easily with VERA, a battery-powered code lock for gates with insert locks (FORTY-, FIFTY-, SIXTY- or EIGHTYLOCK). Easily select, change or delete up to 100 PIN codes. Various entry and exit codes, permanently open codes and free exit are possible. The energy-efficient VERA achieves up to 150,000 open/close cycles with one battery pack, in all weather conditions (IP66). The maintenance-free code lock features aluminium housing and an LED-illuminated electronic code keypad.



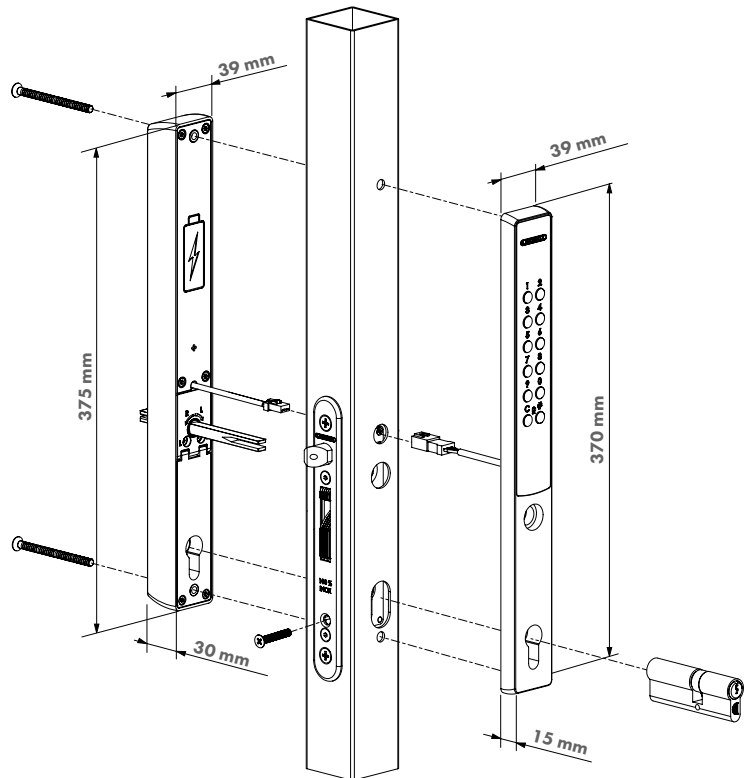
**BATTERY
POWERED**

COLOR OPTIONS

SILV 9005

SPECIFICATIONS

- Compatible with FORTY-, FIFTY-, SIXTY- or EIGHTYLOCK (lock not included)
- Compatible with the SFKU-V or SFKV-O keep
- Double-sided keypad or single-sided keypad (free exit) with cover plate
- No mains power required. Battery pack (with a lifespan of up to 150,000 cycles) included
- Weatherproof and LED-illuminated electronic code keypad
- Supports codes for permanently open and free exit
- Different entrance and exit codes possible
- Low battery warning light
- Aluminium housing with textured paint (black) or anodisation (silver)



ORDER CODES

VERA-40-1	For profiles with 40mm depth - single sided
VERA-40-2	For profiles with 40mm depth - double sided
VERA-50-1	For profiles with 50mm depth - single sided
VERA-50-2	For profiles with 50mm depth - double sided
VERA-60-1	For profiles with 60mm depth - single sided
VERA-60-2	For profiles with 60mm depth - double sided

COMPATIBLE LOCKS



FORTYLOCK
P. 94



FIFTYLOCK
P. 95



SIXTYLOCK
P. 96



EIGHTYLOCK
P. 97

NEW **VITA** (Patent pending)

Mechanical code lock for insert locks

Simple, maintenance-free access control for gates equipped with an insert lock. The VITA is a mechanical code lock that operates without electricity, compatible with FORTY-, FIFTY-, SIXTY-, and EIGHTYLOCK. The PIN code can be easily changed or removed, and both entry and exit codes can be set independently. Available in two configurations: a double version with a keypad on both sides, or a single version with one keypad and a free exit.



STAINLESS
STEEL

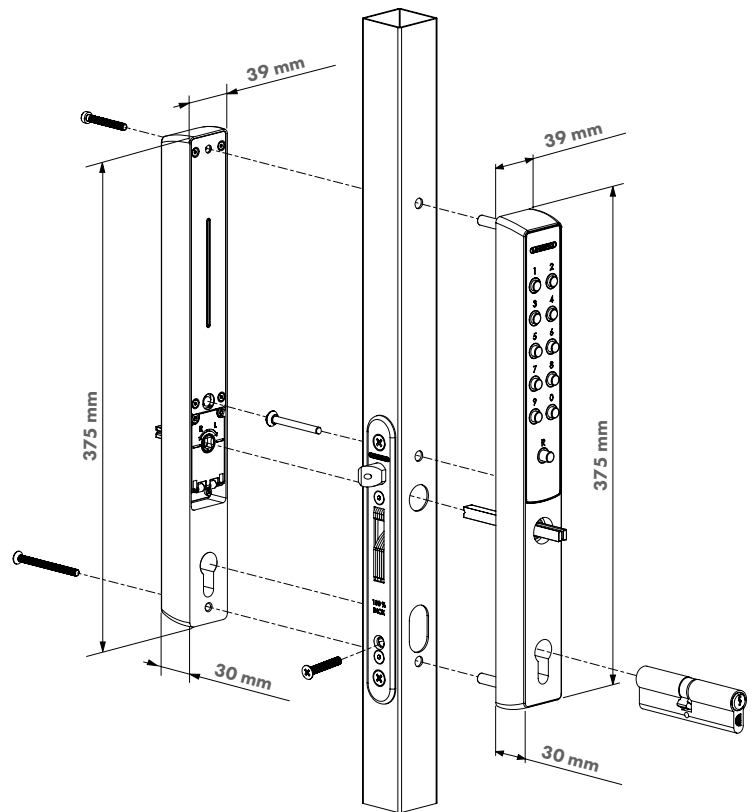


COLOR OPTIONS

SILV 9005

SPECIFICATIONS

- Double-sided keypad or single-sided keypad (free exit) with cover plate
- Possibility to work with different entrance and exit codes
- Easy and fast set-up or modification of the access codes
- Extremely strong and vandal proof design
- Aluminium housing with textured paint (black) or anodisation (silver)
- Anti-code detection with integrated security press plate
- Compatible with SFKU-V & SFKO-V
- Compatible with FORTY-, FIFTY-, SIXTY- or EIGHTYLOCK (lock not included)
- UNIWING-compatible



ORDER CODES

VITA-40-1	For profiles with 40mm depth - single sided
VITA-40-2	For profiles with 40mm depth - double sided
VITA-50-1	For profiles with 50mm depth - single sided
VITA-50-2	For profiles with 50mm depth - double sided
VITA-60-1	For profiles with 60mm depth - single sided
VITA-60-2	For profiles with 60mm depth - double sided

COMPATIBLE LOCKS



FORTYLOCK
P. 94



FIFTYLOCK
P. 95



SIXTYLOCK
P. 96



EIGHTYLOCK
P. 97



H-METAL (Patented)

Insert lock with 35 mm backset

Insert lock made of high quality with 100% stainless steel mechanism. The massive stainless steel hook and adjustable latch bolt makes this a one of a kind lock. The combination of the hook (dead bolt) with the corresponding keep provides a secure anchoring of your gate. These locks can be used on metal or aluminium gates or with our fully prepared steel profiles.

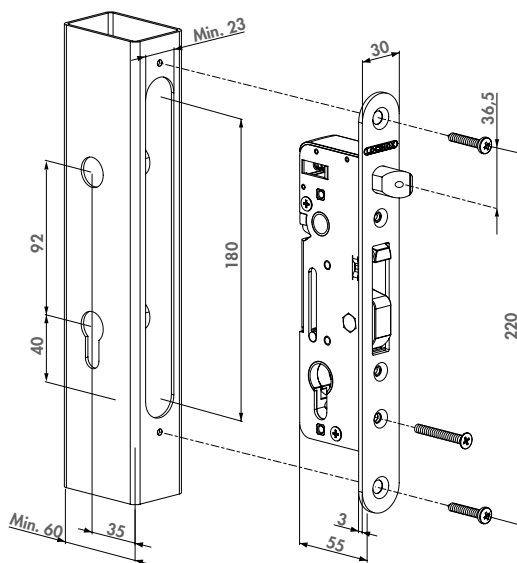


STAINLESS
STEEL



SPECIFICATIONS

- Easy left or right changing of the self-latching daybolt
- Key-operated self-latching bolt
- Adjustment of the latch bolt up to 20 mm continuous without dismounting the lock
- Mechanism, hook, frontplate, latchbolt: stainless steel
- Handles and cylinder to be ordered separately
- Throw of the hook: 33 mm
- The center distance between the cylinder and the handle: 92 mm
- Hook in combination with the Locinox keep provides a secure anchoring
- With coverplate for lock mechanism against dirt penetration
- Compatible with Europrofile cylinder
- Cover shield for handle & cylinder holes to be ordered separately



ORDER CODE

H-METAL For profiles with a min. depth of 60 mm



H-METAL-SET

Complete, stainless steel insert lock set for metal and aluminium gates

Complete set to equip your metal or aluminium gates with a 20 mm adjustable, stainless steel insert lock and adjustable keep.

ORDER CODES

H-METAL-SET-54-I H-METAL + SHKM-ALUM + 3020-HYB-A2 + 3006I-H + 3012-54-STD-VSZ

H-METAL-SET-54-M H-METAL + SHKM-ALUM + 3020-HYB-STD + 3006M-H + 3012-54-STD-VSZ

H-METAL-SET-80-I H-METAL + SHKM-ALUM + 3020-HYB-A2 + 3006I-H + 3012-80-STD-VSZ

H-METAL-SET-80-M H-METAL + SHKM-ALUM + 3020-HYB-STD + 3006M-H + 3012-80-STD-VSZ



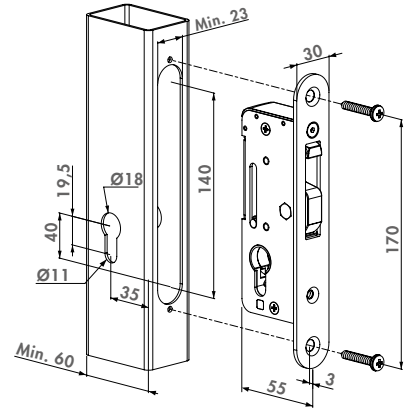
H-COMPACT (Patented)

Handleless stainless steel insert lock with hook

Quality 100% stainless steel insert lock with hook for a mechanical closure of (automated) sliding gates. The absence of handles prevents people from climbing over the fence with the handle as a step.

SPECIFICATIONS

- Insert lock with a backset of 35 mm
- Suitable for swing and sliding gates
- Mechanism, hook, front plate, chassis and all internal mechanical parts are a 100% stainless steel
- Throw of the hook: 33 mm
- Hook in combination with the Locinox keep provides a secure anchoring
- Without self-latching bolt
- (Removable) pin prevents lifting the hook from the keep
- With coverplate for lock mechanism against dirt penetration
- Compatible with all Europrofile cylinders



RECOMMENDED KEEP



ORDER CODE

H-COMPACT For profiles with a min. depth of 60 mm

SHKC
P. 125



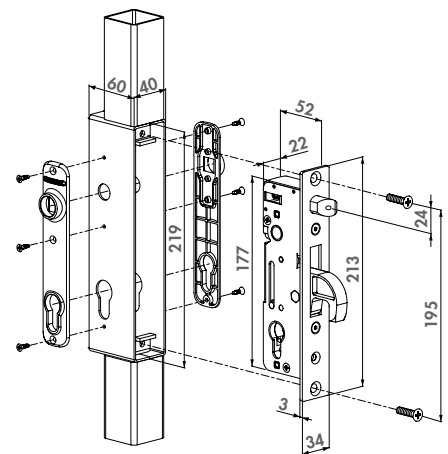
H-METAL-WB (Patented)

Insert lock for welding box

Outstanding insert lock with 100% stainless steel mechanism. The massive stainless steel hook and adjustable self-latching bolt make this a one of a kind lock. The combination of the hook (dead bolt) with the corresponding keep provides a secure anchoring of your gate. These locks can be used on metal gates with our welding boxes.

SPECIFICATIONS

- Insert lock with a backset of 35 mm
- Easy left or right changing of the self-latching daybolt
- Key-operated self-latching bolt
- Adjustment of the latch bolt up to 20 mm continuous without dismounting the lock
- Mechanism, hook, frontplate, latchbolt: stainless steel
- Throw of the hook: 33 mm
- The center distance between the cylinder and the handle: 92 mm
- Hook in combination with the Locinox keep provides a secure anchoring
- With coverplate for lock mechanism against dirt penetration
- Compatible with Europrofile cylinder
- Handles and cylinder to be ordered separately
- Cover shield for handle & cylinder holes to be ordered separately



RECOMMENDED KEEPS



ORDER CODE

H-METAL-WB For hybrid welding lock box - HWLB

SHKM
P. 126

SEH
P. 111



3020-HYB

Cover shield for insert locks

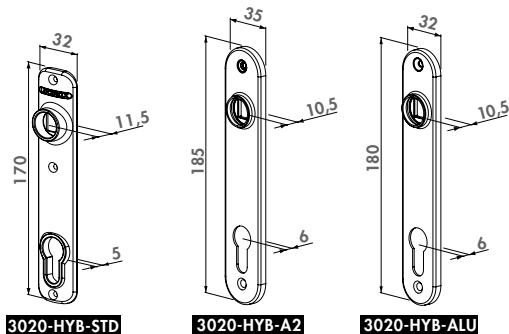
Cover shield for handle & cylinder holes of Locinox insert locks. Available in aluminium, stainless steel or polyamide for an aesthetic finish. Screws included.

COLOR OPTIONS

ALUM SILV 9005

SPECIFICATIONS

- Cover shield for handle & cylinder holes
- Standardised gate pattern: compatible with HWLB for Hybrid locks
- Available in polyamide, aluminium and stainless steel



COMPATIBLE LOCKS



H-METAL
P. 103

FORTYLOCK
P. 94

SIXTYLOCK
P. 96

EIGHTYLOCK
P. 97

ORDER CODES

3020-HYB-A2	Stainless steel cover shields for insert locks
3020-HYB-ALU	Aluminium cover shields for insert locks - Silver / RAL9005
3020-HYB-STD	Polyamide cover shields for insert locks - RAL9005



3025-HYB

Aluminium anodized cover plate for insert locks

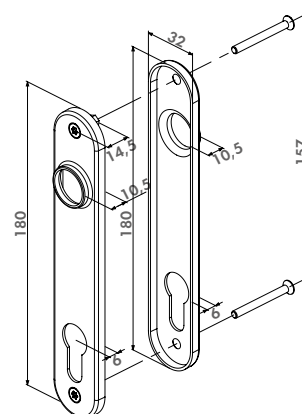
Aluminium anodized cover plate for handle hole and cylinder of Locinox insert locks. Attaches transversely through the post. Screws included.

COLOR OPTIONS

SILV 9005

SPECIFICATIONS

- Cover plate for handle hole and cylinder
- Anodized aluminium
- Available in two colours: RAL 9005 & SILV
- Includes mounting bolts for profiles from 37 mm to 65 mm



COMPATIBLE LOCKS



FORTYLOCK
P. 94

FIFTYLOCK
P. 95

SIXTYLOCK
P. 96

ORDER CODE

3025-HYB	Aluminium anodized cover plate for insert locks
----------	---



3025-HYB-BLIND-ALU

Set of cover plates for insert locks

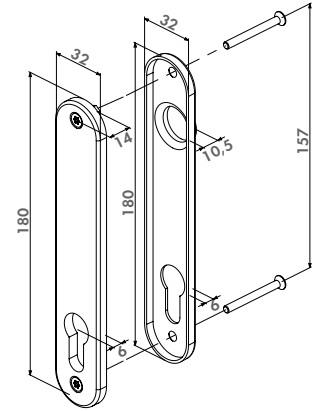
Set of cover plates for half handle and cylinder for Locinox insert locks. Attaches transversely through the post. Available in stainless steel and anodized aluminium. Screws included.

COLOR OPTIONS

SILV 9005

SPECIFICATIONS

- Cover plate for handle hole and cylinder
- Available in stainless steel or anodized aluminium
- Compatible with BAR-A and BAR-I
- Includes mounting bolts for profiles from 37 mm to 65 mm



COMPATIBLE LOCKS



FORTYLOCK
P. 94



FIFTYLOCK
P. 95



SIXTYLOCK
P. 96

ORDER CODE

3025-HYB-BLIND-ALU Set of cover plates for insert locks



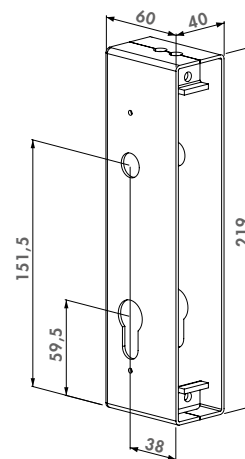
HWLB

Welding box for H-METAL-WB

Metal welding box for Hybrid lock.

SPECIFICATIONS

- Size: 60 × 40 × 219 mm (2 mm thickness)
- Black steel for welding



COMPATIBLE LOCKS



H-METAL-WB
P. 104



SHKM
P. 126



3020-HYB-ALU
P. 105



3020-HYB-STD
P. 105

ORDER CODE

HWLB Black steel welding lock box for H-METAL-WB locks



H-WOOD (Patented)

Stainless steel insert lock for wooden gates

Insert lock made of high quality with 100% stainless steel mechanism. The massive stainless steel hook and adjustable latch bolt makes this a one of a kind lock. The combination of the hook (dead bolt) with the corresponding keep provides a secure anchoring of your gate. These locks can be used on metal or aluminium gates.

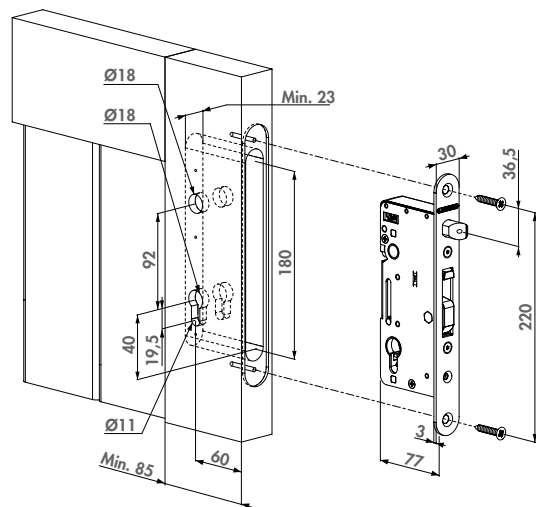


STAINLESS
STEEL



SPECIFICATIONS

- Easy left or right changing of the self-latching daybolt
- Key-operated self-latching bolt
- Adjustment of the latch bolt up to 20 mm continuous without dismounting the lock
- Mechanism, hook, frontplate, latchbolt: stainless steel
- Stainless steel hook for secure anchoring
- Throw of the hook: 33 mm
- The center distance between the cylinder and the handle: 92 mm
- 60 mm backset
- Lock mechanism with cover plate against dirt penetration
- Compatible with all Europrofile cylinders
- Handles and cylinder to be ordered separately
- Cover shield for handle & cylinder holes to be ordered separately



ORDER CODE

H-WOOD For profiles with a min. depth of 85 mm



H-WOOD-SET

Complete, stainless steel insert lock set for wooden gates

Complete set to equip your wooden gates with an adjustable, stainless steel insert lock and keep. A safe anchoring of the gate is guaranteed.

ORDER CODES

H-WOOD-SET-60-I	H-WOOD + 3020-HYB-A2 (2x) + 3006I-H + SHKW-ALUM + 3012-60-STD-VSZ
H-WOOD-SET-80-I	H-WOOD + 3020-HYB-A2 (2x) + 3006I-H + SHKW-ALUM + 3012-80-STD-VSZ



KEEPS



Keeps

KEEPS

No lock without a keep. Locinox provides a wide range of keeps for sliding, swing, garden and child safety gates. An impact test at our facility ensures our keeps to handle every blow they receive and they meet our strict Locinox standard. Mounting is easy, fast and very strong thanks to our patented Quick-Fix system. The stop plates are adjustable and in many cases equipped with a protective rubber strip.

Sets

Locinox supports you in your logistic process

Select and compose your own gate hardware set and avoid stock ruptures or false deliveries of gate components to your customers. The set components are all together and, above all, packed in a robust and weatherproof box. If you wish, your logo can be put on the box for a maximal support of your brand. We will be glad to add your manuals or any other information according to your needs.

 100% modular

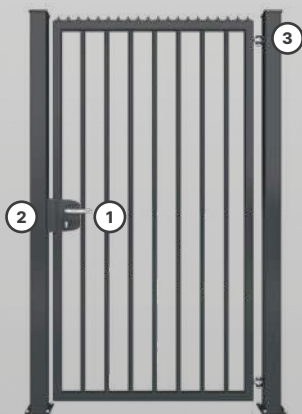
 Time-saving

 No research work



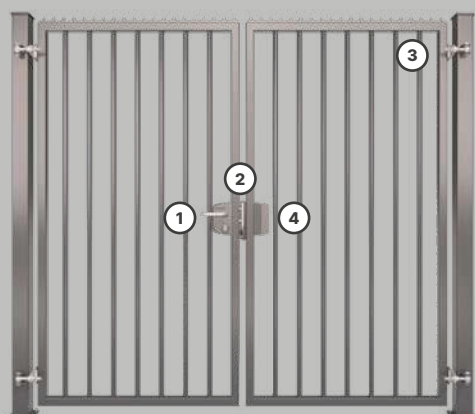
Garden gate - box set

- 1 SMKLF
- 2 LAKZP1
- 3 GBM12



1 gate wing - foil set

- 1 LAKQU2
- 2 SAKLQF
- 3 G90Z



2 gate wings - foil set

- 1 LAKQU2
- 2 SH-KLQF
- 3 GBMU4D
- 4 3006PC

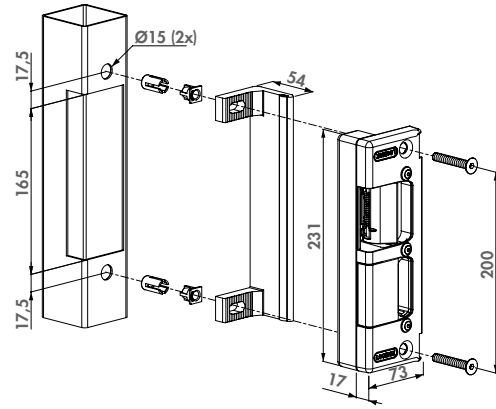




SE (Patented)

Electric strike for surface mounted locks

Electric strike for swing gates. The strike is equipped with a blocking system that withstands 500 kg pulling force. The deadbolt receiver has been reinforced with stainless steel. This innovation makes the strike even more robust. This keep is extremely strong and the ideal solution for all your access control. SE is available in two versions: E (Emissa - Fail Close) and R (Ruptura - Fail Open).



SPECIFICATIONS

- Type SE.E: Emissa - Fail Close
- Type SE.R: Ruptura - Fail Open
- Nightbolt receiver reinforced and out of stainless steel
- For post profiles of 50 mm and more
- Voltage: 12V AC/DC
- Current Emissa: 1A
- Current Ruptura: 1,5A
- Water resistant & weatherproof
- Pressure resistance on self-latching bolt: 500 kg

COMPATIBLE LOCKS



ORDER CODES

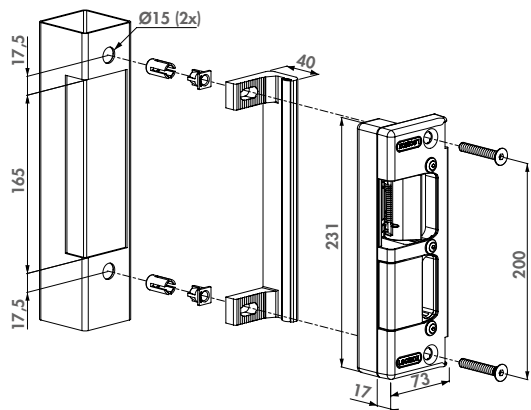
- SE-E Electric strike, Emissa, Fail Close
- SE-R Electric strike, Ruptura, Fail Open



SEH (Patented)

Electric strike for insert locks

Electric strike for H-Metal and H-Wood. The strike is equipped with a blocking system that withstands 500 kg pulling force. This keep is extremely strong and the ideal solution for all your access control. SEH is available in two versions: E (Emissa - Fail Close) and R (Ruptura - Fail Open).



SPECIFICATIONS

- Type SEH.E: Emissa - Fail Close
- Type SEH.R: Ruptura - Fail Open
- Easy left or right changing
- For post profiles of 50 mm and more
- Voltage: 12V AC/DC
- Current Emissa: 1A
- Current Ruptura: 1,5A
- Water resistant & weatherproof
- Pressure resistance on self-latching bolt: 500 kg

COMPATIBLE LOCKS



ORDER CODES

- SEH-E Electric strike, Emissa, Fail Close for H-Metal and H-Wood
- SEH-R Electric strike, Ruptura, Fail Open for H-Metal and H-Wood



MODULEC-SA (Patented)

Surface mounted electric strike

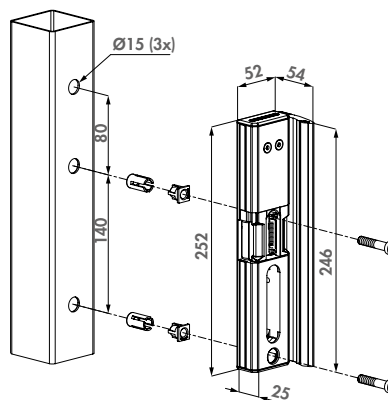
Easy-to-install electric strike for surface-mounting thanks to the patented Quick-Fix. Easily interchangeable with the SA keep. Can be connected to both 12V - 24V and AC/DC. Modulec-SA is available in two versions: E (Emissa - Fail Close) and R (Ruptura - Fail Open).

STOP PLATE COLOR OPTIONS

ALUM 9005 7016 6005

SPECIFICATIONS

- Tested up to 500.000 movements
- Fast and easy fixing with Quick-Fix
- Resistance to pressure on the latch bolt: 300 kg
- Same drilling pattern as SA, SH and SM keeps
- Easy left or right changing
- Corrosion-resistant: black anodized aluminium housing
- Adjustable for gate profiles: 40-60 mm depth
- Voltage: 12V-24V AC/DC
- Consumption: 12V - 1,25A / 24V - 0,62A
- Power: 15W



COMPATIBLE LOCKS



LAKQU2
P. 71

LUKYJ5
P. 73

LDKZD1
P. 74

LAKQH2
P. 83

ORDER CODE

MODULEC-SA-E Fail Close for surface mounted gate locks, 12-24V AC/DC
MODULEC-SA-R Fail Open for surface mounted gate locks, 12-24V AC/DC



MODULEC-SH (Patented)

Surface mounted electric security keep

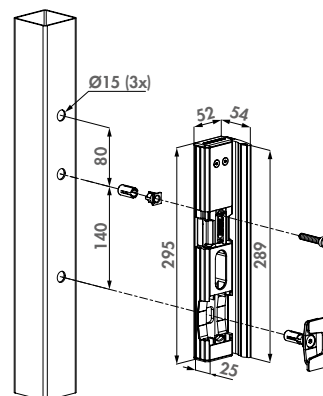
Replace your SHKL keep with an electrical surface mounted keep with Fail Close / Fail Open functionality. Easy to install thanks to the patented Quick-Fix. For 12V-24V and AC/DC. Modulec-SH is available in two versions: E (Emissa - Fail Close) and R (Ruptura - Fail Open).

STOP PLATE COLOR OPTIONS

ALUM 9005 7016 6005

SPECIFICATIONS

- Tested up to 500.000 movements
- Resistance to pressure on the latch bolt: 300 kg
- Easy mounting with Quick-Fix
- Same drilling pattern as SA, SH and SM keeps
- Easy left or right changing
- Corrosion-resistant: black anodized aluminium housing
- Adjustable for gate profiles: 40-60 mm depth
- Voltage: 12V-24V AC/DC
- Consumption: 12V - 1,25A / 24V - 0,62A
- Power: 15W



COMPATIBLE LOCKS



LAKQU2
P. 71

LUKYJ5
P. 73

LDKZD1
P. 74

LAKQH2
P. 83

ORDER CODES

MODULEC-SH-E Fail Close for surface mounted gate locks, 12-24V AC/DC
MODULEC-SH-R Fail Open for surface mounted gate locks, 12-24V AC/DC



SAKLQF (Patented)

Adjustable keep out of stainless steel

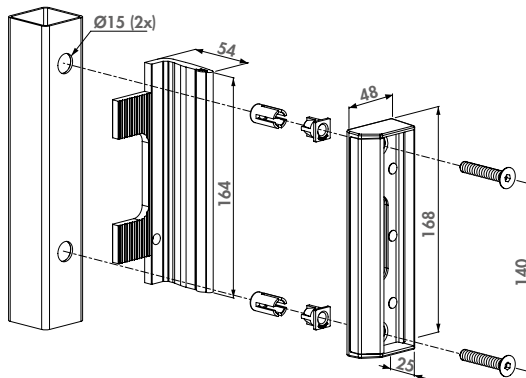
Stainless steel keep with polyamide finishing used as standard for all your gates (garden, ornamental, industrial,...). The unique Quick-Fix ensures a fast and strong mounting. The adjustable, aluminium stop plate with rubber accepts different gate profiles from 40 to 60 mm width. Redesigned to make the strike accept the latchbolt easier.

STOP PLATE COLOR OPTIONS

ALUM 9005 7016 6009 6005 9010

SPECIFICATIONS

- Stainless steel bolt receiver
- Extruded stop plate in aluminium with rubber strip
- Easy left or right changing
- Innovative Quick-Fix mounting
- Adjustable for gate profiles: 40-60 mm width
- For rectangular and round profiles



COMPATIBLE LOCKS



ORDER CODES

SAKLQF Industrial keep for square profiles
SARLQF Industrial keep for round profiles

LAKQU2
P. 71

LOKQY2
P. 76

LMKQV2
P. 78

LAKZP1
P. 84



SH-KLQF (Patented)

Adjustable security keep out of stainless steel

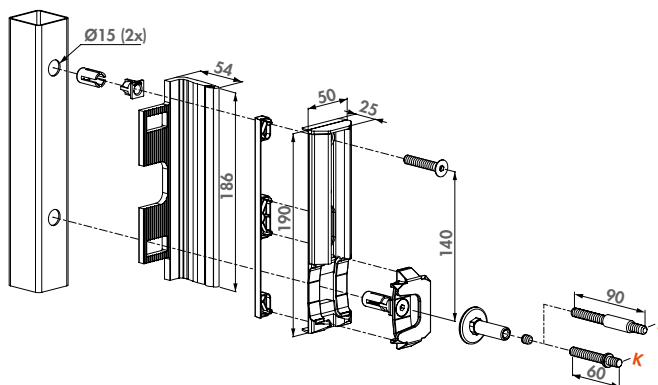
Stainless steel keep with polyamide finishing for all your metal, aluminium and PVC gates. The patented stainless steel anchoring system prevents pulling the gates out of the keep. The unique Quick-Fix ensures a fast and strong mounting. The adjustable, aluminium stop plate with rubber accepts different gate profiles of 40 - 60 or 60 - 80 mm width. Redesigned to make the strike accept the latchbolt easier.

STOP PLATE COLOR OPTIONS

ALUM 9005 7016 6009 6005

SPECIFICATIONS

- Reinforced stainless steel security keep for round and square profiles
- Stainless steel anchoring system included
- Easy left or right changing
- Innovative Quick-Fix mounting
- Prevents opening the gate with a crowbar
- For rectangular and round profiles
- Aluminium adjustable slam plate with shock rubber
- Adjustable for gate profiles: 40-60 mm (K) and 60-80 mm (L)



COMPATIBLE LOCKS



ORDER CODES

SHKLQF Industrial security keep for square profiles
SHRLQF Industrial security keep for round profiles

LAKQU2
P. 71

LMKQV2
P. 78

LDZKD1
P. 74

LEKQU2
P. 80



SMKLQF

Polyamide garden gate keep for rectangular profiles

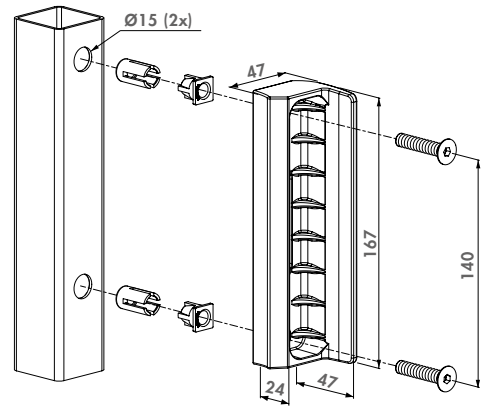
Polyamide keep for garden gates. The Quick-Fix fixation ensures a fast and strong mounting on rectangular posts. For gate profiles of 40 mm width.

COLOR OPTIONS

9005 7040 7016 6009 6005

SPECIFICATIONS

- Keep in polyamide for square profiles
- Easy left or right changing
- Innovative Quick-Fix mounting
- For profiles as of 40 mm or more



COMPATIBLE LOCKS



LAKZP1
P. 84

LAKZP1WSI
P. 85

ORDER CODE

SMKLQF Polyamide garden gate keep for square profiles



SKRZ

Polyamide garden gate keep for round profiles

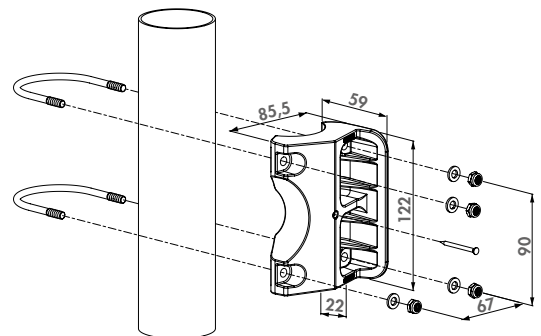
Polyamide keep garden gates. The brace fixing ensures a fast and strong mounting on round tubes. For gate profile 40 mm and post profile 60 mm.

COLOR OPTIONS

9005 7040 6009 6005

SPECIFICATIONS

- Keep in polyamide for round profiles
- Easy left or right changing
- Only for round posts Ø60 mm
- For gate profiles of 40 mm width



COMPATIBLE LOCKS



LAKZP1
P. 84

LAKZP1WSI
P. 85

ORDER CODE

SKRZ Polyamide garden gate keep for round profiles



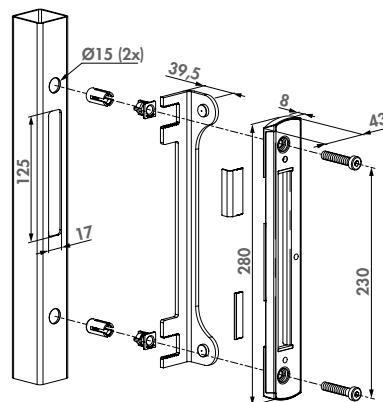
SF

Stainless steel surface mounted keep for surface mounted locks

Aesthetical surface mounted keep. Specially designed for our complete range of surface mounted swing gate locks. The limited 8 mm visible thickness ensures a discreet look. A highly efficient assembly with minimal gate preparations is guaranteed, while the unique Quick-Fix ensures a fast and strong fixation on the gate. This unique keep in combination with the gate lock ensures a strong gate anchoring.

SPECIFICATIONS

- Stainless steel keep for square profiles as of 40 mm
- Compatible with our complete range of surface mounted swing gate locks
- Extruded stop plate in aluminium with rubber strip for longterm use
- Including innovative Quick-Fix fixations and self-drilling screws
- Easy left or right changing
- Elegant design: visible thickness of 8 mm
- Adjustable stop plate for 40 mm till 60 mm gate frames
- Adjustable guide to avoid damage of day bolt to post



COMPATIBLE LOCKS



ORDER CODE

SF Stainless steel surface mounted keep for surface mounted locks, adjustable for 40 mm to 60 mm gate frames

LAKQU2
P. 71

LUKYJ5
P. 73

LMKQV2
P. 78

LAKQH2
P. 83



3006PC

Pull Counter Box

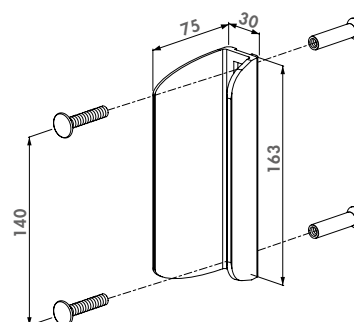
Aesthetic solution in aluminium for the construction of symmetric double swing gates in combination with the Locinox keep. When used with the Locinox 4D-hinges, you can simplify your production of double gates to one single identical gate wing which can be used either on the left or right side. The pull counter box fills up the symmetric lock opening in the other gate wing.

COLOR OPTIONS

SILV 9005 7016 6009 6005

SPECIFICATIONS

- Folded pull counter box with same shape as the industrial lock
- To use in combination with the SA or the SH keep with the special through and through fixing



COMPATIBLE LOCKS



LAKZP1
P. 84

LAKZP1WSI
P. 85

LAKQU2
P. 71

ORDER CODE

3006PC Folded counter box in aluminium with through and through fixing



SPKZ-QF

Ornamental keep

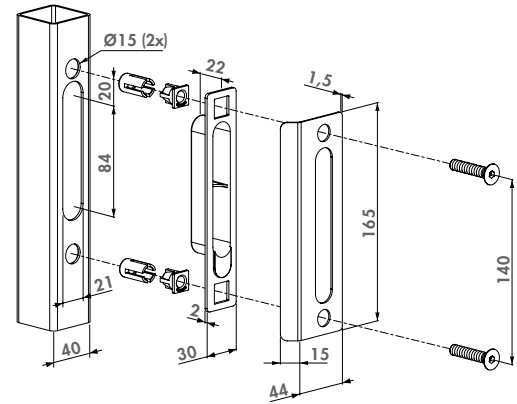
Flat keep with polyamide box to integrate into the post. This set allows you to adjust your (ornamental) gates with a minimal gap.

COLOR OPTIONS

ALUM 9005

SPECIFICATIONS

- Insert keep for square profiles of 40 mm
- Innovative Quick-Fix mounting



COMPATIBLE LOCKS



LAKQH2
P. 83

LAKYF2
P. 82

LAKQU2
P. 71

LMKQV2
P. 78

ORDER CODE

SPKZ-QF-40 Insert keep for square profiles of 40 mm



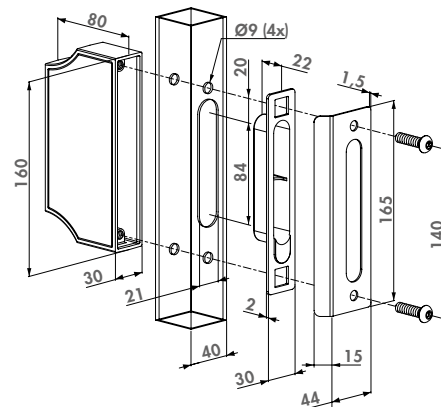
SPKZ-TK

Ornamental keep with counter lock box

Flat keep with polyamide box to integrate into the post. This set allows you to adjust your double ornamental gates with a minimum gap in between and offers you a nice and aesthetic look.

SPECIFICATIONS

- Counter lock box with the same shape as the ornamental lock
- For rectangular profiles of min. 40 mm width
- Mounting: through the profile into the counter lock box



COMPATIBLE LOCKS



LAKQH2
P. 83

LAKYF2
P. 82

ORDER CODE

SPKZ-TK-50-ALUM Insert keep and ornamental counterbox for square profiles of 50 mm

SSKZ QF (Patented)

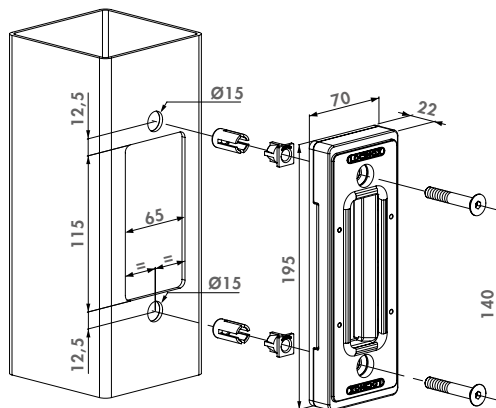
Sliding gate keep with Quick-Fix

Stainless steel sliding gate keep for hollow posts. The keep is 9 mm left/right auto-adjustable for an easy and secure anchoring of the gate lock. A rubber stop prevents the gate from being damaged while closing.



SPECIFICATIONS

- Keep in stainless steel for square profiles
- Minimum profile size: 80 mm wide
- Fast and easy fixing with Quick-Fix
- The keep is 9 mm left/right auto-adjustable for easy and secure anchoring of the Twistfinger
- The rubber stop prevents damaging the gate frame



COMPATIBLE LOCKS



LLKZV2
P. 89

LSKZU2
P. 90

LGKZD1
P. 91

ORDER CODE

SSKZ QF Sliding gate keep for square profiles with a min. width of 80 mm

O-SET

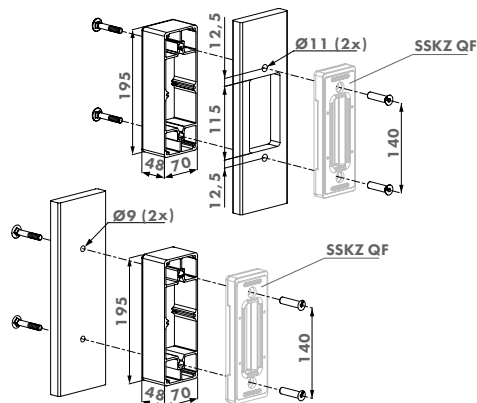
Aluminium adapter case for flat profiles

Adapter for the SSKZ QF sliding gate keep. Can be used when installing the keep on flat profiles or if you want the keep to be surface installed.



SPECIFICATIONS

- Aluminium case to use together with sliding gate keep SSKZ QF when installing on a flat profile
- Protects the Twistfinger when the keep is mounted on a flat profile with a minimum thickness of 5 and a maximum thickness of 20 mm
- Delivered with through and through fasteners



RECOMMENDED KEEP



SSKZ QF
P. 117

ORDER CODE

O-SET For flat profiles in combination with SSKZ QF keep



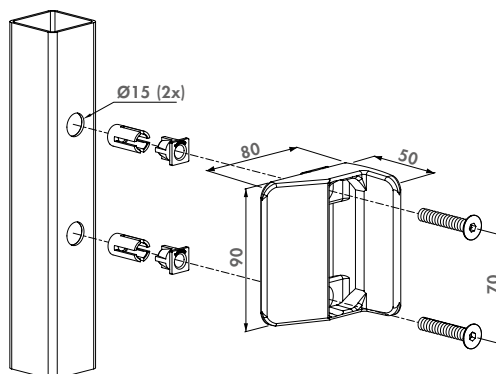
STKQF (Patented)

Swimming pool keep for square profiles for TWIST40

Polyamide keep conform the swimming pool safety standard NF P90-306. Designed to combine with the TWIST40 lock. Fast and strong fixings on square posts: Quick-Fix. For gate profiles of 40 mm width only.

SPECIFICATIONS

- Keep in polyamide for square profiles 40 mm or more
- For 40 mm gate profiles only
- Only compatible with the swimming pool lock TWIST40
- Innovative Quick-Fix mounting
- Conforms to swimming pool standard NF P90-306
- We strongly advise you to read the swimming pool safety standard NF P90-306 before manufacturing any swimming pool gate



COMPATIBLE LOCK



TWIST40
P. 88

ORDER CODE

STKQF For square posts in combination with TWIST40 lock



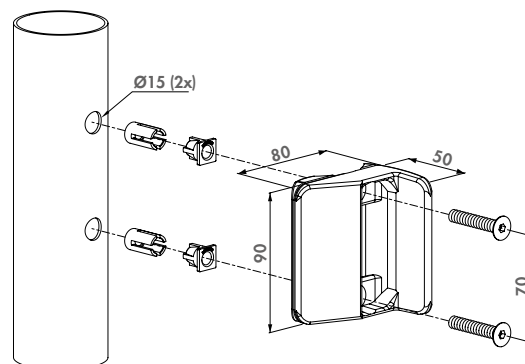
STR60 QF (Patented)

Swimming pool keep for round profiles for TWIST40

Polyamide keep conform the swimming pool safety standard NF P90-306. Designed to combine with the TWIST40 lock. Fast and strong fixings on round tubes Ø60 mm: Quick-Fix. For gate profiles of 40 mm only.

SPECIFICATIONS

- Keep in polyamide for round profiles Ø60 mm
- For 40 mm gate profiles only
- Only compatible with the swimming pool lock TWIST40
- Innovative Quick-Fix mounting
- Conforms to swimming pool standard NF P90-306
- We strongly advise you to read the swimming pool safety standard NF P90-306 before manufacturing any swimming pool gate



COMPATIBLE LOCK



TWIST40
P. 88

ORDER CODE

STR60 QF For round posts Ø60 mm in combination with TWIST40 lock



KEEPS FOR
SWIMMING POOL GATES



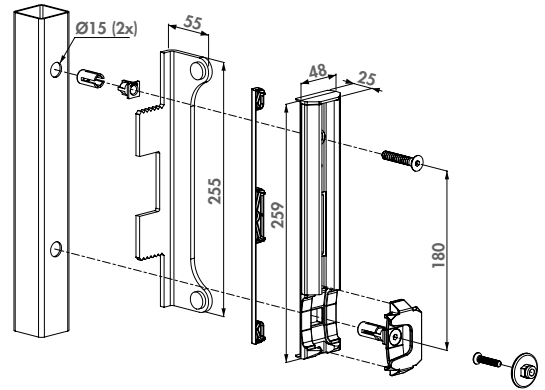
SFKB

Surface mounted stainless steel keep strike for Fortylock, Fiftylock and Sixtylock

Stainless steel keep with polyamide finishing for all your metal, aluminium and PVC gates. The patented stainless steel anchoring system prevents pulling the gates out of the keep. The unique Quick-Fix ensures a fast and strong mounting.

SPECIFICATIONS

- Keep for square profiles
- Aluminium slam plate with shock rubber
- Innovative installation with Quick-Fix
- To combine with Fortylock, Fiftylock, Sixtylock and Eightylock
- Stainless steel anchoring system included
- Easy left or right changing
- Prevents opening the gate with a crowbar
- Adjustable for gate profiles: 40-60 mm width



COMPATIBLE LOCKS



FORTYLOCK
P. 94



FIFTYLOCK
P. 95



SIXTYLOCK
P. 96

ORDER CODE

SFKB-QF Adjustable from 40 mm to 60 mm

KEEPS FOR INSERT LOCKS



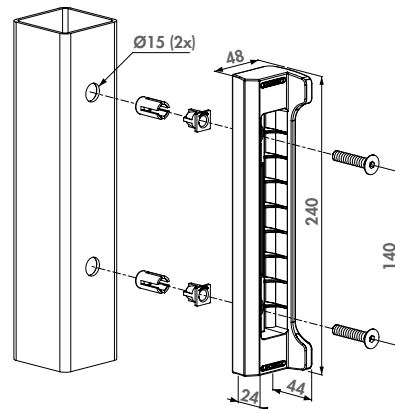
SFKP

Polyamide keep for Fortylock, Fiftylock and Sixtylock

Polyamide keep for garden gates. To combine with Fortylock, Fiftylock, Sixtylock and Eightylock. The Quick-Fix ensures a fast and strong mounting on square posts. For gate profiles of 40 mm.

SPECIFICATIONS

- Keep for square profiles of 40 mm
- Standard measure between fixings: 140 mm
- Innovative installation with Quick-Fix
- Easy left or right changing



COMPATIBLE LOCKS



FORTYLOCK
P. 94



FIFTYLOCK
P. 95



SIXTYLOCK
P. 96

ORDER CODE

SFKP-QF40 For square gate profiles 40 mm



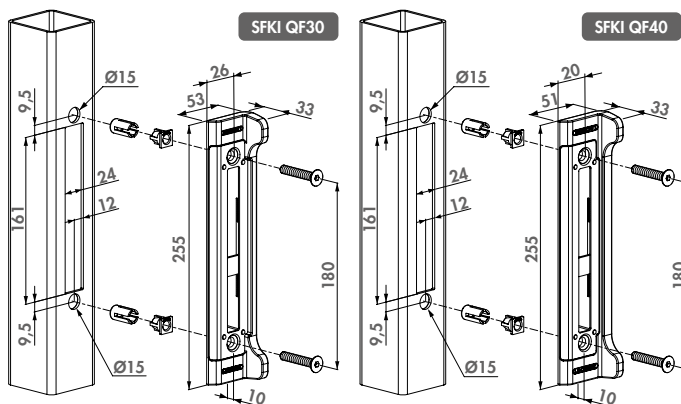
SFKI

Insert stainless steel keep for Fortylock, Fiftylock and Sixtylock

Insert keep for small gates in metal, aluminium and PVC. The keep can be combined with the Fortylock, Fiftylock and Sixtylock. Fast and easy mounting with Quick-Fix. Hook in combination with the keep provides a secure anchoring of gate and post. Available for square posts of 30 or 40 mm depth.

SPECIFICATIONS

- Keep for square profiles
- Innovative installation with Quick-Fix
- Easy left or right changing
- Insert depth: 15 mm
- Available for gate profiles 30 or 40 mm



COMPATIBLE LOCKS



FORTYLOCK
P. 94

FIFTYLOCK
P. 95

SIXTYLOCK
P. 96

ORDER CODES

SFKI-QF30 For square gate profiles 30 mm

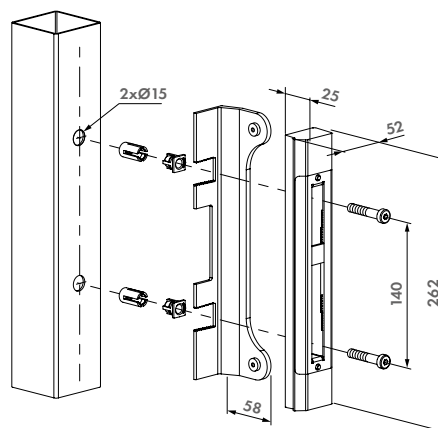
SFKI-QF40 For square gate profiles 40 mm



SFKO (Patented)

Stainless steel surface mounted keep for insert locks

Aesthetical surface mounted keep. Specially designed for Fortylock, Fiftylock and Sixtylock insert locks. The keep is perfectly modular with the electrical strike Modulec-SF, no changes needed. A highly efficient mounting with minimal gate preparations is guaranteed, while the unique Quick-Fix ensures a fast and strong fixation on the gate. The anchoring system ensures a strong gate closure.



COMPATIBLE LOCKS



FORTYLOCK
P. 94

FIFTYLOCK
P. 95

SIXTYLOCK
P. 96

COLOR OPTIONS

ALUM 9005

SPECIFICATIONS

- Modular with electric strike MODULEC-SF
- Keep for square profiles
- Innovative installation with Quick-Fix
- Extruded stop plate in aluminium with rubber strip for longterm use
- SFKO recommended for Fortylock
- SFKO-5060 recommended for Fiftylock, Sixtylock & Eightylock
- Vandal proof design: hook-in anchoring system prevents opening with a crowbar
- Easy left or right changing
- Adjustable for gate profiles: 40 - 60 mm

ORDER CODES

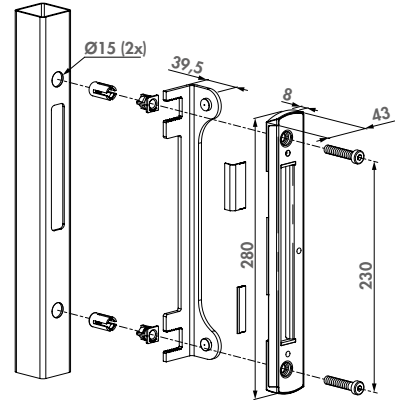
SFKO-QF Stainless steel surface mounted keep for Fortylock



SFKM

Stainless steel surface mounted keep for Fortylock, Fiftylock and Sixtylock

Aesthetical surface mounted keep for small metal, aluminium and PVC gates. Specially designed for Fortylock, Fiftylock and Sixtylock insert locks. The limited 8 mm depth ensures a discreet look. A highly efficient assembly with minimal gate preparations is guaranteed, while the unique Quick-Fix ensures a fast and strong fixation on the gate. This unique keep in combination with the insert lock ensures a strong gate anchoring.



COLOR OPTIONS

ALUM 9005

SPECIFICATIONS

- Extruded stop plate in aluminium with rubber strip for longterm use
- Easy left or right changing
- Elegant design: visible thickness of 8 mm
- Adjustable stop plate for 40 mm till 60 mm gate frames
- Adjustable guide to avoid damage of day bolt to post

COMPATIBLE LOCKS



FORTYLOCK
P. 94

FIFTYLOCK
P. 95

SIXTYLOCK
P. 96

ORDER CODE

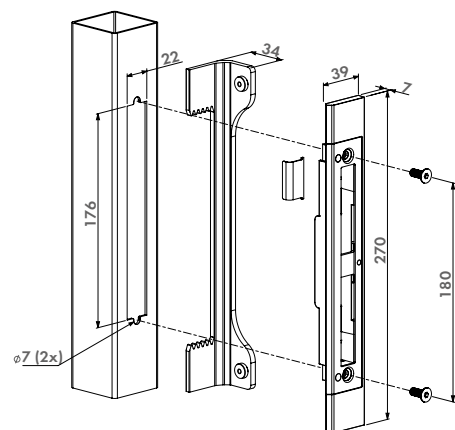
SFKM-QF Adjustable from 40 mm to 60 mm



SFKU (Patented)

Insert keep for insert locks

Stainless steel insert keep that can be installed in insert lock pattern for universal wing preparation of 40 mm wide frames. The integrated "Click-It" system requires only a slight shift for a quick and secure fixation. The slim design limits the distance between lock and keep and increases the level of privacy of your gate.



COLOR OPTIONS

ALUM 9005 7016

SPECIFICATIONS

- Adjustable for gate profiles: 40 - 50 mm
- Integrated Click-It installation system
- Easy left or right changing
- Extruded stop plate in aluminium with rubber strip for longterm use
- To combine with Fortylock, Fiftylock, Sixtylock and Eightylock
- Includes connection parts for optional SHIELDLINE

COMPATIBLE LOCKS



FORTYLOCK
P. 94

SIXTYLOCK
P. 96

SHIELDLINE
P. 195

ORDER CODE

SFKU-40 Insert keep for installation in lock pattern



UNILEC

With an innovative mechanism that pushes out the day bolt



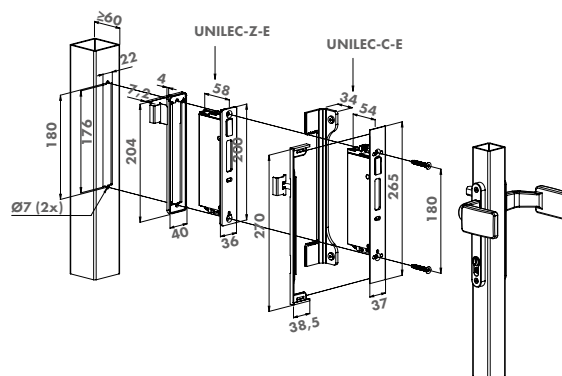
NEW UNILEC (Patent pending)

Electric insert keep for insert locks

Coming soon. Complete your gate installation aesthetically and efficiently with UNILEC. This innovative electric keep pushes the latch bolt outward and allows flexible positioning within the post. UNILEC fits perfectly into the UNIWING profile preparation and is easily mounted with the CLICK-IT system. The sleek finish minimizes the gap between gate and post. The keep operates on 24V DC and is available with or without a stop plate. Extra security is ensured by the Fail-Close functionality.

SPECIFICATIONS

- Pushes day bolt outward
- Integrated Click-It installation system
- UNIWING-compatible
- Easy left or right changing
- Adjustable stop plate for 40 mm till 50 mm gate frames
- Compatible with Fortylock, Fiftylock, Sixtylock & Eightylock
- IP56
- Voltage: 24 V DC
- Power consumption in operation: 3 W / Peak: 55W
- For profiles of 60 mm and more



COMPATIBLE PRODUCTS



POWERSTONE
P. 60



FORTYLOCK
P. 94



FIFTYLOCK
P. 95

ORDER CODE

UNILEC-C-E Fail Close, with stop plate

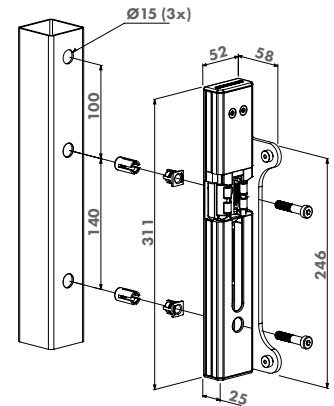
UNILEC-Z-E Fail Close, without stop plate



MODULEC-SF (Patented)

Surface mounted electric strike for Forty-, Fifty- and Sixtylock

Easy-to-install surface mounted electric keep with a narrowed stop plate for insert locks. Thanks to the patented Quick-Fix, a quick installation is guaranteed. The black anodized housing ensures a corrosion and scratch-free use for many years. Can be connected to both 12V - 24V and AC/DC. Modulec-SF is available in two versions: E (Emissa - Fail Close) and R (Ruptura - Fail Open).



SPECIFICATIONS

- Tested up to 500.000 movements
- Fast and easy fixing with Quick-Fix
- Resistance to pressure on the latch bolt: 300 kg
- Easy left or right changing
- Corrosion-resistant: black anodized aluminium housing
- Adjustable for gate profiles: 40-60 mm width
- Voltage: 12V-24V AC/DC
- Consumption: 12V - 1,25A / 24V - 0,62A
- Power: 15W
- Available in two colours: RAL 9005 & ALUM

COMPATIBLE LOCKS



FORTYLOCK
P. 94



FIFTYLOCK
P. 95



SIXTYLOCK
P. 96

ORDER CODES

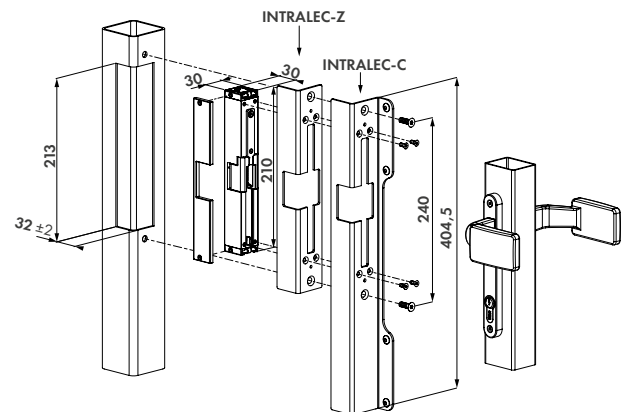
MODULEC-SF-E Fail Close for insert locks, 12-24V AC/DC
MODULEC-SF-R Fail Open for insert locks, 12-24V AC/DC



INTRALEC (Patented)

Built-in electric keep for Fortylock, Fiftylock and Sixtylock insert locks

Elegant and discreet electric keep which is built-in the post. Easy installation thanks to the patented Click-It system. Can be installed without a strike plate and a mechanical override is possible. Intralec is available in Fail Open (Ruptura) and Fail Close (Emissa) version.



SPECIFICATIONS

- Fast and easy fixing with Click-it
- Resistance to pressure on the latch bolt: 300 kg
- Deep closure of 17,5 mm of the latch bolt
- Voltage: 12V-24V AC/DC
- Consumption: 10W / 12V - 0.8A / 24V - 0.4A

COMPATIBLE LOCKS



FORTYLOCK
P. 94



FIFTYLOCK
P. 95



SIXTYLOCK
P. 96

ORDER CODES

INTRALEC-C-40-E For 40 mm gate profiles - Fail Close, with stop plate
INTRALEC-C-40-R For 40 mm gate profiles - Fail Open, with stop plate
INTRALEC-C-50-E For 50 mm gate profiles - Fail Close, with stop plate
INTRALEC-C-50-R For 50 mm gate profiles - Fail Open, with stop plate
INTRALEC-Z-40-E For 40 mm gate profiles - Fail Close, without stop plate
INTRALEC-Z-40-R For 40 mm gate profiles - Fail Open, without stop plate
INTRALEC-Z-50-E For 50 mm gate profiles - Fail Close, without stop plate
INTRALEC-Z-50-R For 50 mm gate profiles - Fail Open, without stop plate



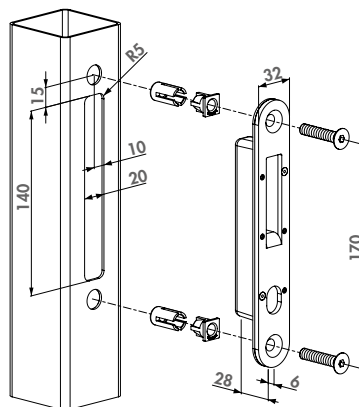
SHKC

Stainless steel keep for H-COMPACT

Stainless steel keep for the H-COMPACT insert lock. The 33 mm throw of the hook and the anti-lift protection provide a secure anchoring.

SPECIFICATIONS

- Plastic box prevents intrusion of dirt or water in the profile
- 6 mm thick front plate
- Can be used for swing and sliding gates
- Innovative installation with Quick-Fix
- The keep presents a safe solution and prevents lifting the gate out of the keep.



COMPATIBLE LOCK



H-COMPACT
P. 104

ORDER CODE

SHKC For square posts with a min. width of 40 mm in combination with H-COMPACT lock



SHKM (Patented)

Hybrid keep for insert locks

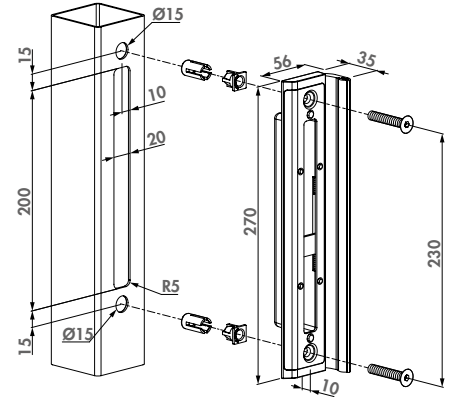
Stainless steel keep for insert locks. This unique keep in combination with the insert lock ensures a strong gate anchoring. This configuration is equipped with Quick-Fix for metal and aluminium posts.

STOP PLATE COLOR OPTIONS

ALUM 9005

SPECIFICATIONS

- Adjustable for gate profiles: 40-60 mm width
- Innovative Quick-Fix mounting
- Anchoring plate for hook
- Easy left or right changing



COMPATIBLE LOCKS AND ACCESSORIES



H-METAL
P. 103



H-METAL-WB
P. 104

ORDER CODE

SHKM

For square posts in combination with H-METAL lock

KEEPS FOR INSERT LOCKS



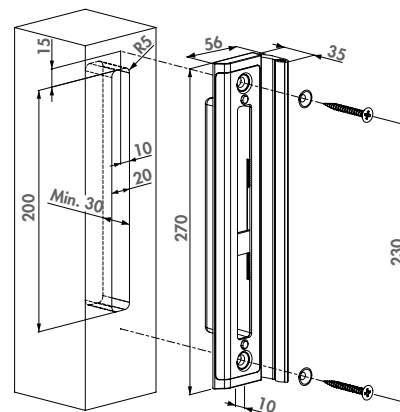
SHKW

Hybrid keep wood

Stainless steel keep for insert locks. This unique keep in combination with the insert lock ensures a strong gate anchoring. This configuration includes wood screws.

SPECIFICATIONS

- Stainless steel keep for Hybrid locks
- With mounting screws for wood
- Supplied with stop plate if integrated stop is not provided
- For 40-60 mm gate profiles
- Anchoring plate for hook



COMPATIBLE LOCKS



H-WOOD
P. 107



H-METAL
P. 103

ORDER CODE

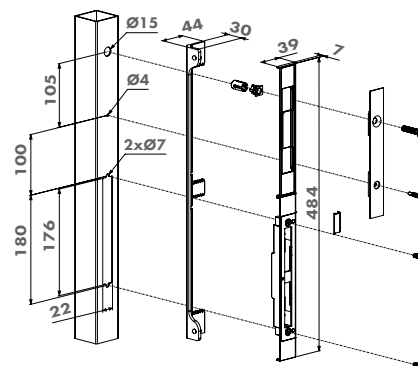
SHKW For wooden posts in combination with H-WOOD lock



NEW **SFKU-V** (Patented)

Insert keep for insert locks with code lock

Complete your access control on pedestrian gates with this stainless steel keep, specifically designed for use with a code lock for insert locks. The SFKU-V is suitable for frames 40mm and 50mm deep, fits into the existing and universal profile preparation of the insert locks, and is easily mounted with the Click-It installation system. Enjoy increased privacy thanks to the slim design and minimal distance between the insert lock and the keep.



COLOR OPTIONS

ALUM SILV 9005

SPECIFICATIONS

- Adjustable for gate profiles: 40 - 50 mm
- Integrated Click-It installation system
- Easy left or right changing
- Extruded stop plate in aluminium with rubber strip for longterm use
- To combine with Fortylock, Fiftylock, Sixtylock and Eightylock
- UNIWING-compatible

COMPATIBLE PRODUCTS



VERA
P. 101



VITA
P. 102



SHIELDLINE
P. 195

ORDER CODE

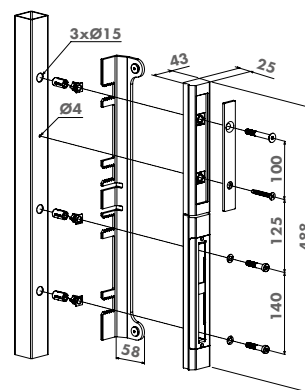
SFKU-V Insert keep for insert locks with code lock



NEW **SFKO-V** (Patented)

Surface mounted keep for insert locks with code lock

The SFKO-V is a surface mounted keep for Locinox insert locks, combined with a code lock. After minimal profile preparation, the SFKO-V is quickly and securely mounted thanks to the QUICK-FIX system.



COLOR OPTIONS

ALUM SILV 9005

SPECIFICATIONS

- Compatible with VERA & VITA
- Adjustable for gate profiles: 40 - 50 - 60 mm
- Keep for square profiles
- Easy left or right changing
- Extruded stop plate in aluminium with rubber strip for longterm use
- SFKO-V recommended for Fortylock
- SFKO-V-5060 recommended for Fiftylock, Sixtylock & Eightylock

COMPATIBLE PRODUCTS



VERA
P. 101



VITA
P. 102



FORTYLOCK
P. 94

ORDER CODE

SFKO-V Surface mounted keep for insert locks with code lock



HINGES

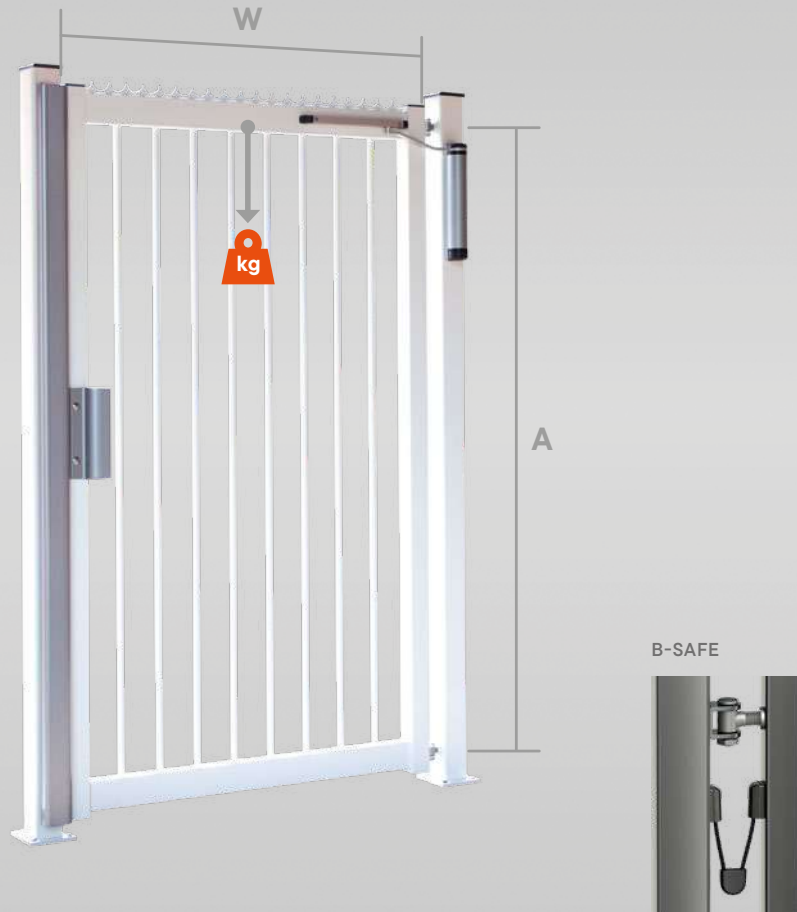


Hinges

Hinges support the weight of the gate and ensure it opens and closes smoothly. Because of this heavy task, our hinges are hot dip galvanized or made of stainless steel. Thanks to our wide range we can offer a solution for every situation. Our patented 4D hinge is a top-of-the-line innovation which is adjustable in 4 dimensions (height/depth/alignment/left or right turning).

Safety

Even though our products meet most important safety standards, a wrongful assembly could result in hazardous situations. Therefore we like to inform you about the parameters to consider during assembly.



CORRECT INFORMATION

Every product is supplied with a clear manual which guides you through the steps for a correct and safe installation. For more complex products, a 3D installation video is available on our website. A team of engineers and experienced product experts are ready to assist you.

B/U SAFE

B-SAFE and U-SAFE are safety cables installed between the gate and wing near the top hinge. They prevent uncontrolled movement of the gate wing in case of hinge failure and comply with the EN 12604 safety standard.*

MAXIMUM GATE WEIGHT

We always mention the maximum gate weight which is allowed for our hinges. This weight is still under the maximum load. Locinox applies safety factor 3,5 which means that they can bear up to 3,5 times the maximally allowed gate weight without endangering safety. The maximum gate weights and the safety factor are only applicable for gates that comply with the following formula.

PLEASE NOTE:


- Maximum gate width: 4 m
- Additional limitations can be defined on configuration level
- Please contact Locinox in case of specific questions



SAFETY
FACTOR
3,5

$$\frac{W}{A} \leq 2$$

A = Distance between
the hinges
W = Gate width

 *European norm EN 12604 prescribes that every manually operated gate should be prevented from falling and in case of failure of a hinge the gate should be held no further than 300 mm from the turning point of that hinge. This can be done by fitting the U-Safe or B-Safe gate safety cable or a 3rd hinge.

EXCENTRO

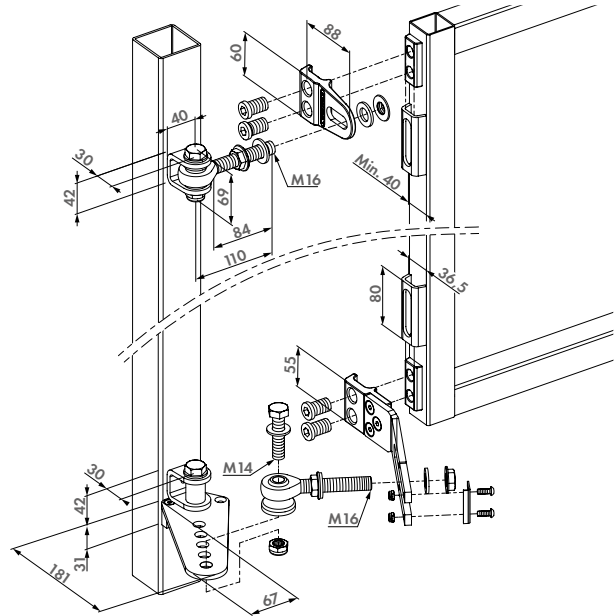
180° hinge set for ascending slopes

This hinge is the perfect solution for sloped driveways. The hinge opens in an upward movement inwards, allowing a perfect entry and exit on even the steepest slopes (from 2% up to 35%). Modular for gates with a Locinox GBMU4D-M16 preparation.



SPECIFICATIONS

- Hot-dip galvanized hinge with stainless steel components
- 180° opening and closing angle
- Adjustable for slopes from 2 up to 35% (depending on distance between hinges)
- For left & right turning gates
- Compatible with KLAUW gate claw and 1001U U-shaped ear plate

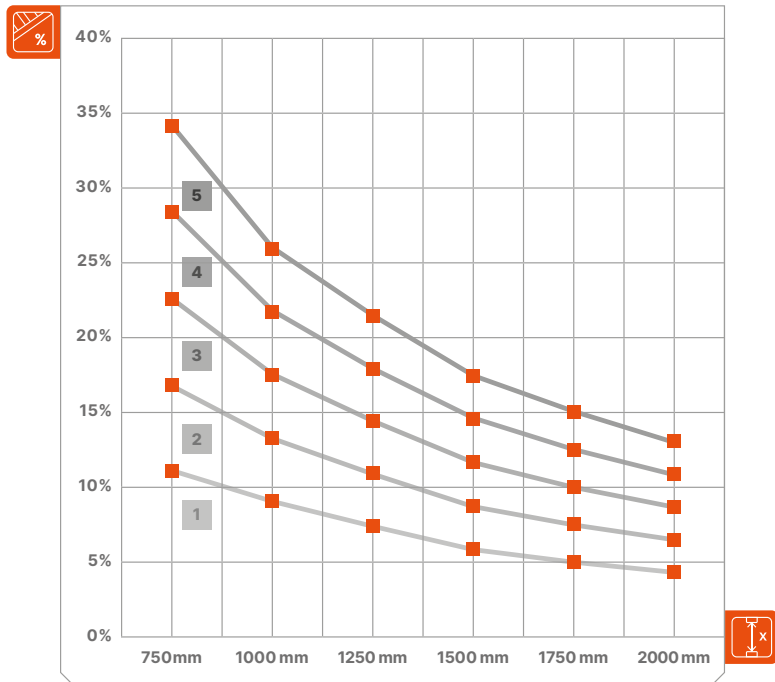
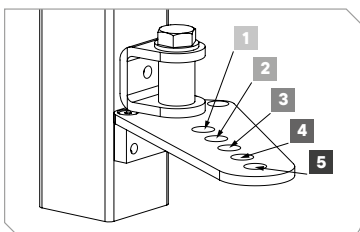
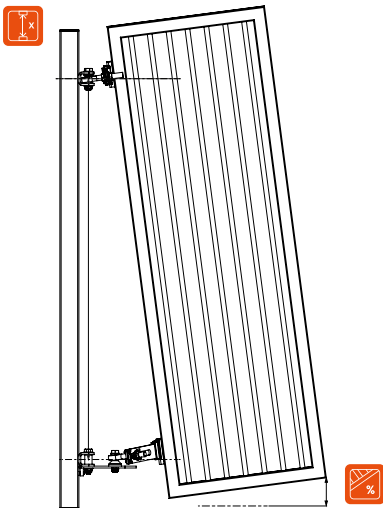


ORDER CODE

EXCENTRO-M16

Eyebolt M16

For slopes from 2 up to 35%



Driveway slope percentage



Distance between hinges



BOLTON-U

Bolt-on U-shaped earplate with Quick-Fix

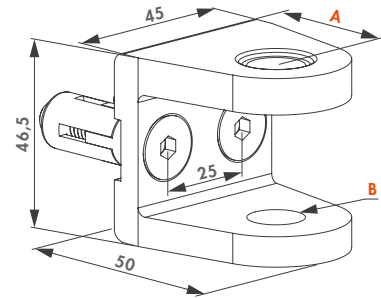
Fix easily and firmly the U-shaped earplate to the fix post with 2 Quick-Fix. Compatible with GBMU, GBMU4D and BOLTONHD-4D.

COLOR OPTIONS

ALUM 9005 7016 6005

SPECIFICATIONS

- U-shaped earplate in aluminium
- Perfect combination with BOLTONHD-G-QF
- No welding required: drill holes and fix with Quick-Fix



ORDER CODES

	A	B
BOLTON-U-12-QF	24	Ø12
BOLTON-U-16-QF	32	Ø14

HINGES FOR INDUSTRIAL GATES



BOLTON-P

Bolt-on GRIP in aluminium

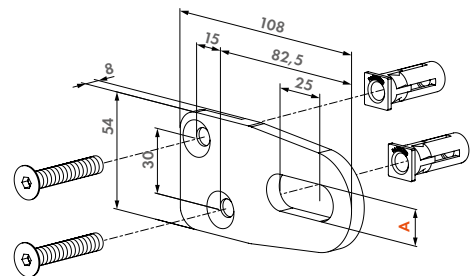
The aluminium GRIP is attached quickly, easily and firmly to the back of the gate profile with 2 Quick-Fix bolts. Using the Bolton-P allows you to prepare one gate for both left and right gates. This GRIP is a perfect fit for lighter gates, such as garden gates for example. Compatible with BOLTON-U earplate.

COLOR OPTIONS

ALUM 9005 7016 6005

SPECIFICATIONS

- Perfect in combination with BOLTON-U-
- Max width of the gate: 1500 mm (M12)
- Max weight of the gate: 50 kg (M12)
- Max width of the gate: 2000 mm (M16)
- Max weight of the gate: 75 kg (M16)



ORDER CODES

	A
BOLTON-P-12-QF	13 mm
BOLTON-P-16-QF	17 mm



BOLTONHD-G (Patented)

Bolt-on GRIP

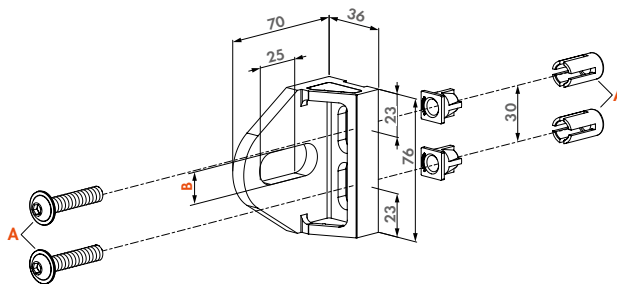
The GRIP is attached quickly, easily and firmly to the fixed post with 2 Quick-Fix bolts. Compatible with GBMU, GBMU4D, BOLTON4D and BOLTONHD-4D.

COLOR OPTIONS

ALUM 9005 7016 6005

SPECIFICATIONS

- GRIP in aluminium
- No welding required: drill holes and fix with Quick-Fix



ORDER CODES

BOLTONHD-G-12-QF
BOLTONHD-G-16-QF

A	B
Quick-Fix	13
Quick-Fix	17



BOLTONHD-4D (Patented)

180° Bolt-on 4D adjustable hinge

180° hinge which can quickly be mounted without any welding being required. It offers all advantages of the GBMU4D range: vandal-proof, adjustment of height, depth and distance between gate and post, left/right interchangeable so it can be used for both left and right turning gates. BOLTONHD-4D is available in M12 and M16.

COLOR OPTIONS

ALUM 9005 7016 6005

SPECIFICATIONS

- Easy to fix with Quick-Fix
- Vandal-proof eyebolt & crossbolt
- 180° opening
- Hot-dip galvanized eyebolt and crossbolt
- Max width of the gate: 2000 mm

HINGE PARTS



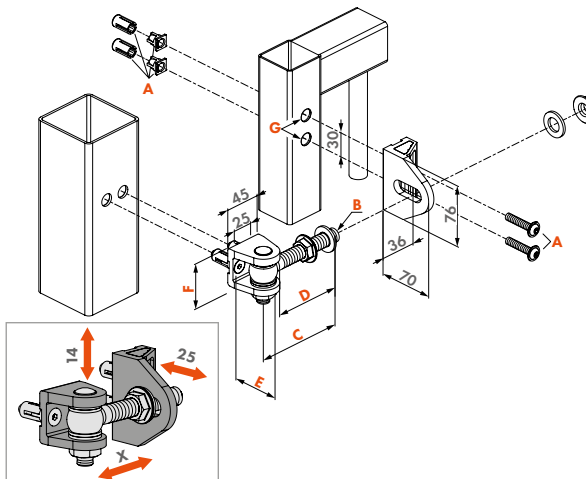
BOLTON-U
P. 132



BOLTONHD-G
P. 133



1034HDGA
P. 137



ORDER CODES

BOLTONHD-4D-12-QF
BOLTONHD-4D-16-QF



100 kg
200 kg

A	B	C	D	E	F	G
Quick-Fix	M12	90	70	42	35,5	Ø15
Quick-Fix	M16	110	85	50	46,5	Ø15



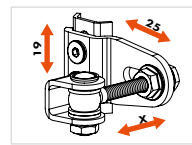
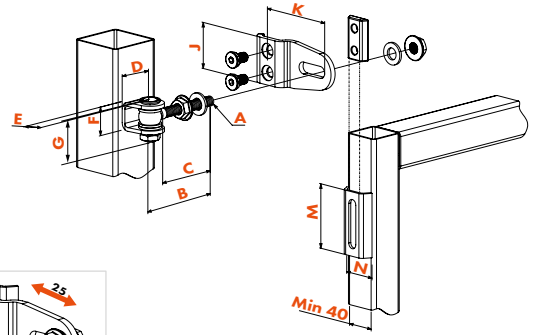
GBMU4D (Patented)

180° weld-on 4D adjustable hinge

4-way adjustable, hot-dip galvanized 180° hinge. Depth and spacing between gate and post are adjustable after installation. No more left or right swinging gates in stock. Only one gate wing should be produced for both left and right turning gates. The welding parts are available in black steel or zinc plated.

SPECIFICATIONS

- 180° opening and closing angle
- Hot-dip galvanized eyebolt and Grip
- 500h salt spray resistant



ORDER CODES

Welding parts in black steel (B)	Welding parts zinc plated (Z)	kg	A	B	C
GBMU4D12-B-90	GBMUD12-Z-90	100	Eyebolt M12	Length 90 mm	70
GBMU4D16-B-110	GBMU4D16-Z-110	200	Eyebolt M16	Length 110 mm	85
GBMU4D16-B-150	GBMU4D16-Z-150	200	Eyebolt M16	Length 150 mm	125
GBMU4D20-B-130	GBMU4D20-Z-130	400	Eyebolt M20	Length 130 mm	105
GBMU4D20-B-150	GBMU4D20-Z-150	400	Eyebolt M20	Length 150 mm	115



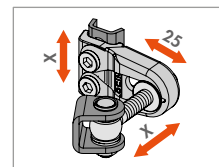
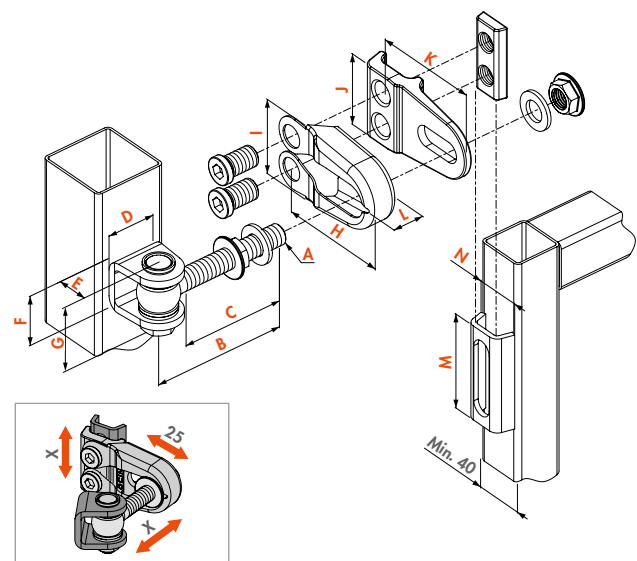
GBMU4DSHIELD (Patented)

Vandal-proof 180° hinge with 4-way adjustment

Vandal-proof hot-dip galvanized 180° hinge. This secured version of the GBMU4D16 hinge provides extra security since the eyebolt or cross bolt can not be tampered with. With the 4-way adjustment you no longer have to keep left or right turning gates in stock. Height & depth alignment and left/right turning direction, are individually adjustable.

SPECIFICATIONS

- 180° opening and closing angle
- Hot-dip galvanized eyebolt and Grip
- Vandal-proof Grip-shield included
- 500h salt spray resistant



COMPATIBLE HINGE PARTS



1001U
P. 141



KLAUW
P. 142



GRIP
P. 143



4DFIX-I
P. 142

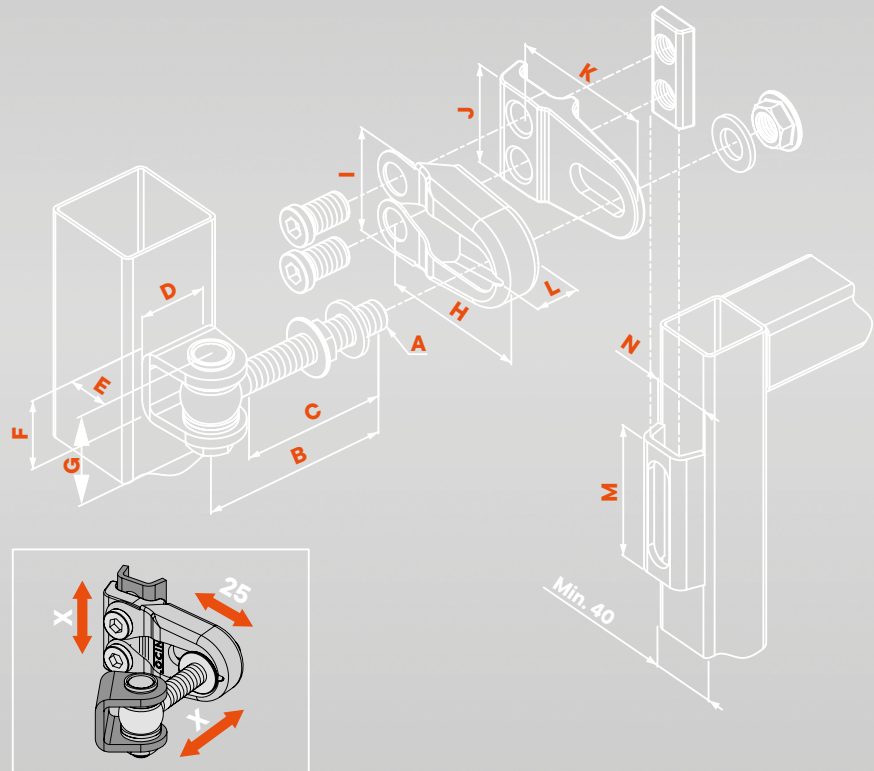
ORDER CODES

Welding parts in black steel (B)	Welding parts zinc plated (Z)	kg	A	B	C	D	E	F	G	H	I	J	K	L	M	N
GBMU4DSHIELD-12-B-90	GBMU4DSHIELD-12-Z-90	100	M12	90	70	35	24	31	47	88	56	50	85	24	70	37,5
GBMU4DSHIELD-16-B-110	GBMU4DSHIELD-16-Z-110	200	M16	110	85	40	30	42	60	91	63	60	88	26	80	36,5

GBMU comparison

Industrial gate hinges

For industrial gates, we offer a wide range of strong and durable hinges. These 4-way adjustable hinges are hot-dip galvanized, have 180° opening angle and can be welded onto the gate post. For situations in which welding is not an option, we suggest the BOLTON range.



GBMU4D	kg	INFORMATION													
		A	B	C	D	E	F	G	H	I	J	K	L	M	N
M12															
GBMU4D-B-M12-90	100kg	M12	90	70	35	24	31	47			50	85		70	37,5
GBMU4D-Z-M12-90	100kg	M12	90	70	35	24	31	47			50	85		70	37,5
M16															
GBMU4D-B-M16-110	200kg	M16	110	85	40	30	42	60			60	88		80	36,5
GBMU4D-Z-M16-110	200kg	M16	110	85	40	30	42	60			60	88		80	36,5
GBMU4D-B-M16-150	200kg	M16	150	125	40	30	42	60			60	88		80	36,5
GBMU4D-Z-M16-150	200kg	M16	150	125	40	30	42	60			60	88		80	36,5
M20															
GBMU4D-B-M20-130	400kg	M20	130	105	60	35	51	72			60	103		80	36,5
GBMU4D-Z-M20-130	400kg	M20	130	105	60	35	51	72			60	103		80	36,5
GBMU4D-B-M20-150	400kg	M20	150	115	60	35	51	72			60	103		80	36,5
GBMU4D-Z-M20-150	400kg	M20	150	115	60	35	51	72			60	103		80	36,5
SHIELD															
GBMU4DSHIELD-B-M12-90	100kg	M12	90	70	35	24	31	47	88	56	50	85	24	70	37,5
GBMU4DSHIELD-Z-M12-90	100kg	M12	90	70	35	24	31	47	88	56	50	85	24	70	37,5
GBMU4DSHIELD-B-M16-110	200kg	M16	110	85	40	30	42	60	91	63	60	88	26	80	36,5
GBMU4DSHIELD-Z-M16-110	200kg	M16	110	85	40	30	42	60	91	63	60	88	26	80	36,5

Gate wing standardization

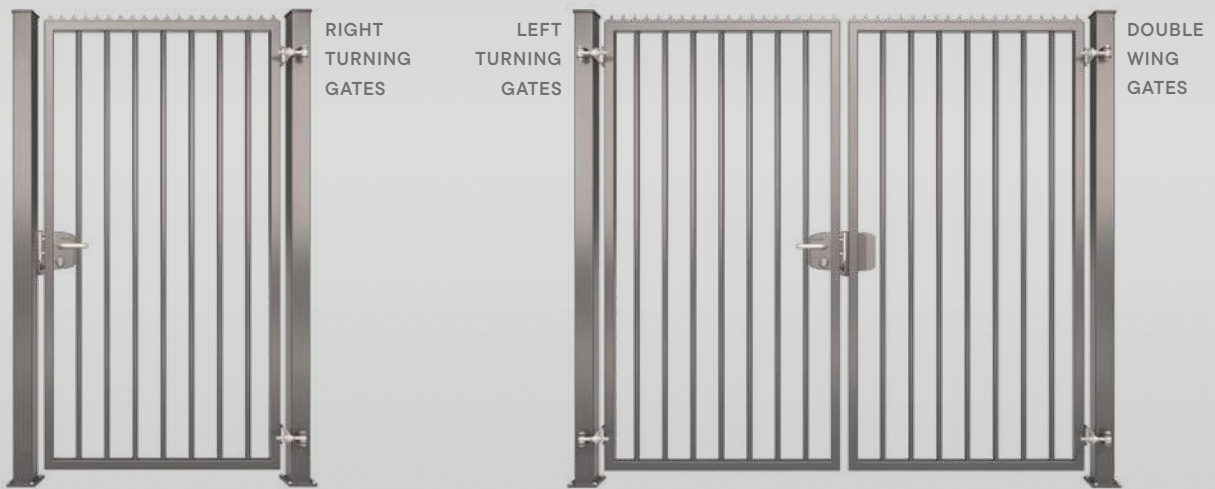
 Time-saving

 Left/right reversible

 Easy to stack

 Only 1 drill pattern

One wing that works both ways



Advantages of wing standardization

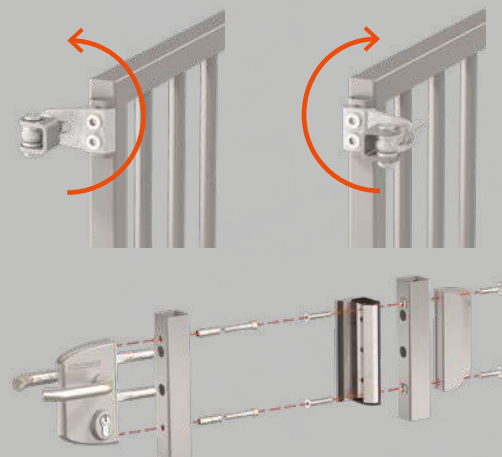
EASY TO STACK AND TRANSPORT

A gate wing where the hardware such as hinges and locks can be installed afterwards. Easier to stack, to keep on stock and easier to transport!



HINGE, LOCK AND KEEP REVERSIBILITY

A gate wing can be used for left or right turning. Locinox locks and keeps are reversible and the hinges can be installed in both directions.





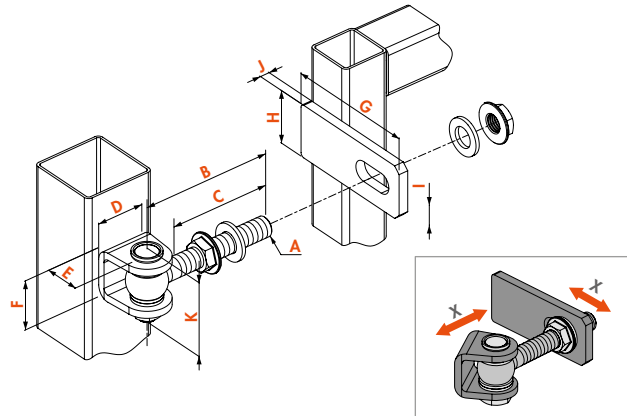
GBMU (Patented)

3-way adjustable 180° hinge

3-way adjustable hot-dip galvanized 180° hinge. Depth and spacing between gate and post are adjustable after installation. The welding parts are available in black steel or zinc plated.

SPECIFICATIONS

- Vandal-proof eyebolt & crossbolt
- 500h salt spray resistant



ORDER CODES

Welding parts in black steel (B)	Welding parts zinc plated (Z)		A	B	C	D	E	F	G	H	I	J	K
GBMU-B-M12-90	GBMU-Z-M12-90	100 kg	M12	Length 90 mm	70	35	24	31	90	35	13	6	47
GBMU-B-M16-110	GBMU-Z-M16-110	200 kg	M16	Length 110 mm	85	40	30	42	110	45	17	8	60
GBMU-B-M16-150	GBMU-Z-M16-150	200 kg	M16	Length 150 mm	125	40	30	42	110	45	17	8	60
GBMU-B-M18-105	GBMU-Z-M18-105	250 kg	M18	Length 105 mm	80	40	30	42	120	50	19	8	62
GBMU-B-M18-150	GBMU-Z-M18-150	250 kg	M18	Length 150 mm	125	40	30	42	120	50	19	8	62
GBMU-B-M20-130	GBMU-Z-M20-130	400 kg	M20	Length 130 mm	105	60	35	51	130	60	21	12	72
GBMU-B-M20-150	GBMU-Z-M20-150	400 kg	M20	Length 150 mm	115	60	35	51	130	60	21	12	72
GBMU-B-M22-145	GBMU-Z-M22-145	440 kg	M22	Length 145 mm	115	60	35	51	130	60	23	12	74
GBMU-B-M22-160	GBMU-Z-M22-160	440 kg	M22	Length 160 mm	130	60	35	51	130	60	23	12	74



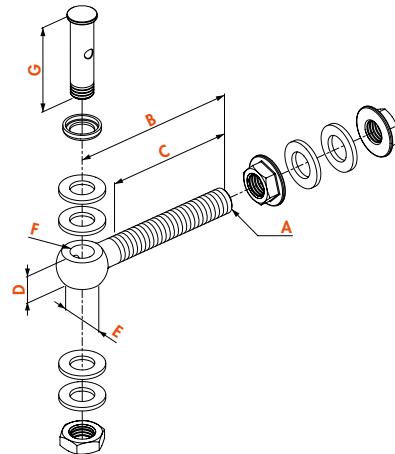
1034HDGA (Patented)

Hot-dip galvanized eyebolt set

Eyebolt set hot-dip galvanized. Vandal-proof.

SPECIFICATIONS

- Hot-dip galvanized bearing eyebolt, transverse bolt and screws
- Stainless steel ring (6 x DIN125A)
- Vandal-proof
- 500h salt spray resistant



ORDER CODES

	A	B	C	D	E	F	G
1034HDGA-M12-90	M12	Length 90 mm	70	14	24	Ø12,5	47
1034HDGA-M16-110	M16	Length 110 mm	85	19	31	Ø14,5	60
1034HDGA-M16-150	M16	Length 150 mm	125	19	31	Ø14,5	60
1034HDGA-M18-105	M18	Length 105 mm	80	20	36	Ø16,5	62
1034HDGA-M18-150	M18	Length 150 mm	125	20	36	Ø16,5	62
1034HDGA-M20-130	M20	Length 130 mm	105	22	40	Ø18,5	72
1034HDGA-M20-150	M20	Length 150 mm	115	22	40	Ø18,5	72
1034HDGA-M22-145	M22	Length 145 mm	115	24	42	Ø20,5	74
1034HDGA-M22-160	M22	Length 160 mm	130	24	42	Ø20,5	74



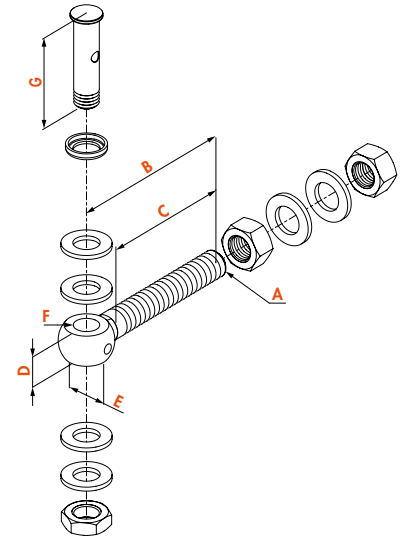
1034A2 (Patented)

Corrosion-resistant and vandal-proof eyebolt set

Corrosion-resistant and vandal-proof eyebolt set in stainless steel.

SPECIFICATIONS

- M16 Eyebolt set in stainless steel, including: eyebolt, cross bolt, nuts and washers
- Vandal-proof
- 500h salt spray resistant



ORDER CODE

1034A2-M16-110-50

A	B	C	D	E	F	G
M16	Length 110 mm	85	19	31	Ø14,5	60



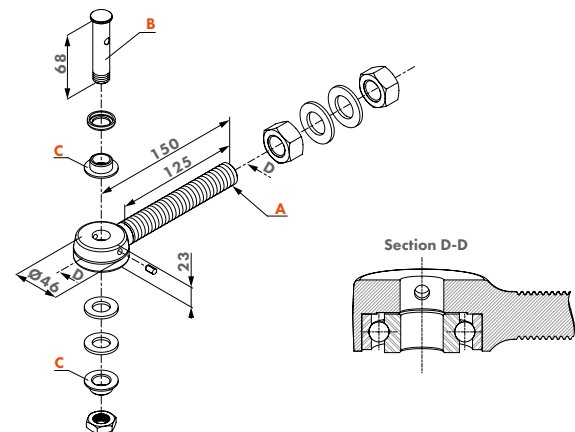
1034ROLL-HDG

Hot-dip galvanized bearing eyebolt for 3D and 4D hinges

This bearing eyebolt can be integrated in every GBMU M16 and M20 hinge. It guarantees a very flexible opening and closing of your gates. Perfect combination with Locinox gate closers. Resistant to vandalism.

SPECIFICATIONS

- Recommended combination with Locinox gate closers
- Hot-dip galvanized bearing eyebolt, transverse bolt and screws
- Stainless steel ring (6 x DIN125A)
- Dual sealed stainless steel bearing
- Vandal-proof
- 500h salt spray resistant



ORDER CODES

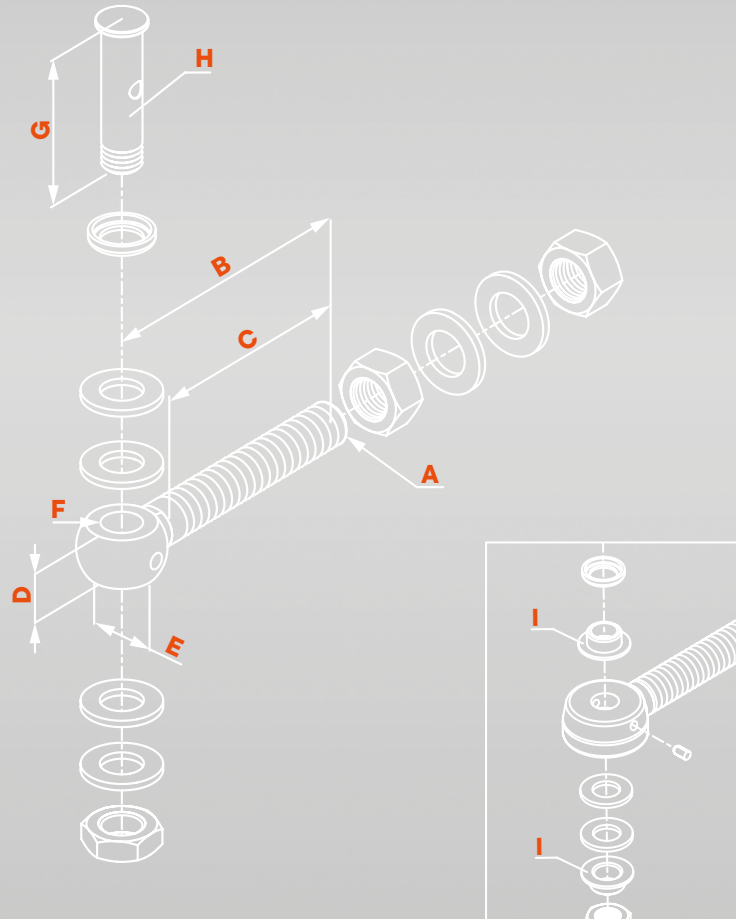
1034ROLL-HDG-M16
1034ROLL-HDG-M20

A	B	C
Eyebolt M16	Crossbolt Ø14 mm	
Eyebolt M20	Crossbolt Ø14 mm	Ø19 => Ø14

Eyebolt set comparison

Eyebolt sets

Stainless steel or hot dip galvanized bearing eyebolts are essential for the connection between post and gate and enabling the rotating functionality of any hinge. We offer some vandal-proof options that can easily be combined with various other parts to become an industrial quality hinge. These sets include eyebolt, transverse or crossbolt and screws.



1034	INFORMATION								
	A	B	C	D	E	F	G	H	I
HDGA									
1034HDGA-M12-90	M12	90	70	14	24	Ø 12,5	47	Crossbolt M12	
1034HDGA-M16-110	M16	110	85	19	31	Ø 14,5	60	Crossbolt M14	
1034HDGA-M16-150	M16	150	125	19	31	Ø 14,5	60	Crossbolt M14	
1034HDGA-M18-105	M18	105	80	20	36	Ø 16,5	62	Crossbolt M16	
1034HDGA-M18-150	M18	150	125	20	36	Ø 16,5	62	Crossbolt M16	
1034HDGA-M20-130	M20	130	105	22	40	Ø 18,5	72	Crossbolt M18	
1034HDGA-M20-150	M20	150	115	22	40	Ø 18,5	72	Crossbolt M18	
1034HDGA-M22-145	M22	145	115	24	42	Ø 20,5	74	Crossbolt M20	
1034HDGA-M22-160	M22	160	130	24	42	Ø 20,5	74	Crossbolt M20	
A2									
1034A2-M16-110-50	M16	110	85	19	31	Ø 14,5	60	Crossbolt M14	
ROLL-HDG									
1034ROLL-HDG-M16	M16	150	125	23	46		68	Crossbolt M14	
1034ROLL-HDG-M20	M20	150	125	23	46		68	Crossbolt M14	Ø 19 → Ø 14



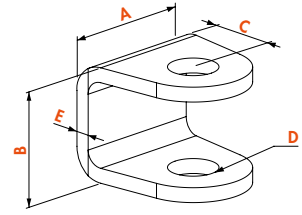
INDUSTRIAL
HINGE PARTS



1001U

U-shaped ear plate

U-shaped ear plate for 180° hinges. Compatible with GBMU / GBMU4D16 / GBMU4D20 / GBMU4DSHIELD hinges.



SPECIFICATIONS

- U-shaped ear plate to weld on in black steel or zinc plated

ORDER CODES

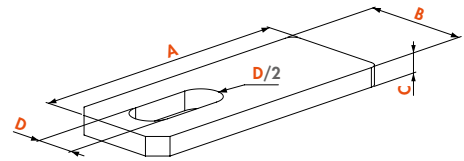
Black steel (B)	Zinc plated (Z)	A	B	C	D	E
1001U-B-12	1001U-Z-12	35	31	24	Ø13	4
1001U-B-16	1001U-Z-16	40	42	30	Ø15	6
1001U-B-18	1001U-Z-18	40	42	30	Ø17	6
1001U-B-20	1001U-Z-20	60	51	35	Ø19	8
1001U-B-22	1001U-Z-22	60	51	35	Ø21	8



1002M

Groove plate

Groove plate to weld on for 180° hinges. Compatible with GBMU hinge.



SPECIFICATIONS

- Black steel or zinc plated groove plate to weld on

ORDER CODES

Black steel (B)	Zinc plated (Z)	A	B	C	D
1002M-B-12	1002M-Z-12	90	35	6	13
1002M-B-16	1002M-Z-16	110	45	8	17
1002M-B-18	1002M-Z-18	120	50	8	19
1002M-B-20	1002M-Z-20	130	60	12	21
1002M-B-22	1002M-Z-22	130	60	12	23



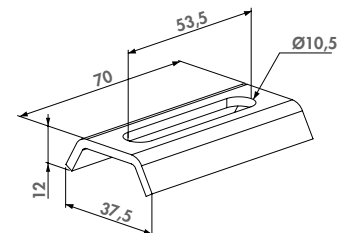
KLAUW12

Gate Claw

Black steel or zinc plated gate claw to weld on. Compatible with GBMU4DSHIELD-12.

SPECIFICATIONS

- Gate claw in black steel



ORDER CODES

Black steel (B)	Zinc plated (Z)	
KLAUW12-B	KLAUW12-Z	Compatible with GRIP12 & 4DFIX-I-12



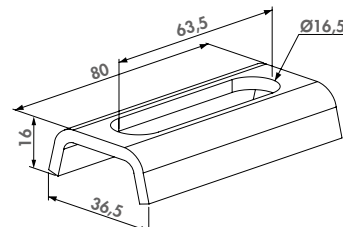
KLAUW

Gate Claw

Black steel or zinc plated welding part for a precise, strong and aesthetic connection to min. 40 mm profiles. Compatible with GBMU4D16, GBMU4D20 and Bearing Hinge.

SPECIFICATIONS

- Gate claw in black steel or zinc plated



ORDER CODES

Black steel (B)

Zinc plated (Z)

KLAUW-B

KLAUW-Z

Compatible with GRIP16, GRIP20 & 4DFIX-I



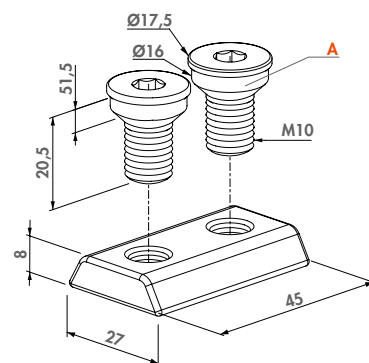
4DFIX-I-12

Claw nut and bolts for 4D hinges

Hot-dip galvanized claw nut with stainless steel M10 bolts. Part of the GBMU4D12 hinge.

SPECIFICATIONS

- Claw nut hot-dip galvanized
- 2 stainless steel bolts M10 × 20,5 mm
- Component of the GBMU4DSHIELD12 hinge



ORDER CODE

4DFIX-I-12

A

Bolts: M10x20,5 mm (2x)



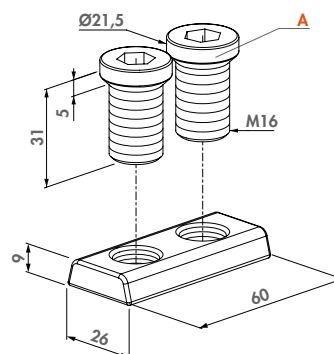
4DFIX-I

Claw nut and bolts for 4D hinges

Hot-dip galvanized claw nut with stainless steel M16 bolts. Part of the GBMU4D16 and 20 hinge.

SPECIFICATIONS

- Claw nut hot-dip galvanized
- 2 bolts M16 × 32 mm in stainless steel
- Component of the GBMU4D16 and GBMU20 hinges



ORDER CODE

4DFIX-I

A

Bolts: M16x32 mm (2x)



GRIP

Fixation grip for hinge GBMU4D

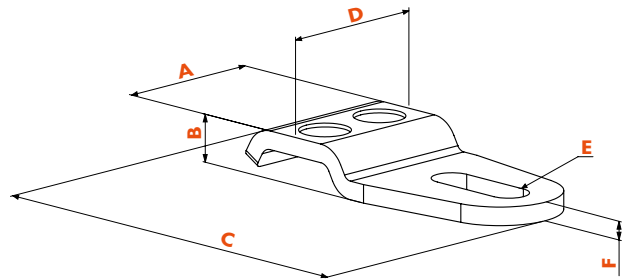
Fixation grip for hinge GBMU4D12, GBMU4D16 or GBMU4D20

COLOR OPTIONS

ALUM 9005 7016 6009 6005

SPECIFICATIONS

- Available in different colours
- Hot-dip galvanized steel



ORDER CODES

	A	B	C	D	E	F
GRIP12	50	15,5	108	50	∅13	6
GRIP16	60	20,5	111	60	∅17	6
GRIP20	60	23	127,5	60	∅21	8



GRIP16-L

Fixation grip for hinge GBMU4D16 with larger depth adjustment

This extra long GRIP out of hot-dip galvanized steel allows you to center mount a gate on a fixed post from 70 mm up to 120 mm. For GBMU4D16 hinge only.

SPECIFICATIONS

- Hot-dip galvanized steel
- Only to be used with GBMU4D16 hinge
- Compatible eyebolt set: 1034HDGA-M16 or 1034ROLL-M16

ORDER CODE

GRIP16-L-

G90Z (Patented)

Vandal-proof one way 90° hinge

Vandal-proof hot-dip galvanized 90° hinge. This secured hinge is the perfect solution for all your small industrial gates. The eyebolt can not be tampered with when the gate is closed.



SPECIFICATIONS

- 90° opening
- Nut in black steel for welding
- Earplate in black steel or cold zinc plated
- Vandal-proof
- 500h salt spray resistant

HINGE PARTS



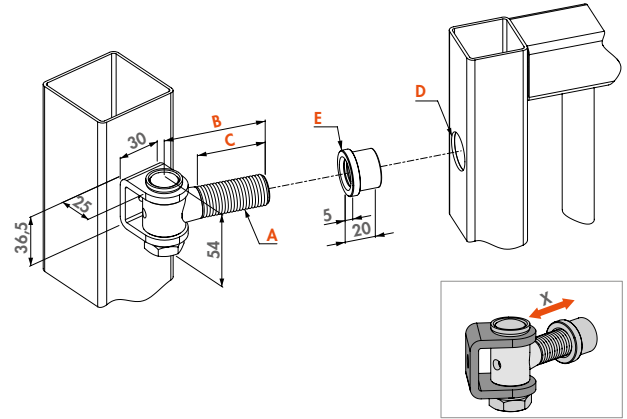
1036
P. 146



1039SET
P. 145



1127
P. 146



ORDER CODES

Welding parts in black steel (B)		Welding parts zinc plated (Z)		kg	A	B	C	D	E
G90Z-B-M16-65		G90Z-Z-M16-65		150	M16	65 mm	47	Ø21	Ø25,5
G90Z-B-M16-110		G90Z-Z-M16-110		150	M16	110 mm	92	Ø21	Ø25,5
G90Z-B-M16-150		G90Z-Z-M16-150		150	M16	150 mm	132	Ø21	Ø25,5
G90Z-B-M20-67		G90Z-Z-M20-67		300	M20	67 mm	45	Ø25	Ø29,5
G90Z-B-M20-150		G90Z-Z-M20-150		300	M20	150 mm	128	Ø25	Ø29,5

G90LR (Patented)

Vandal-proof one way 90° hinge with adjustable welding nut

Vandal-proof hot-dip galvanized 90° hinge. This hinge is the perfect solution for all your small industrial gates. The eyebolt can not be tampered with when the gate is closed. With the LR welding nut you can easily adjust the hinge.



SPECIFICATIONS

- 90° opening
- Adjustable nut zinc plated
- Zinc-plated earplate
- Vandal-proof
- 500h salt spray resistant

HINGE PARTS



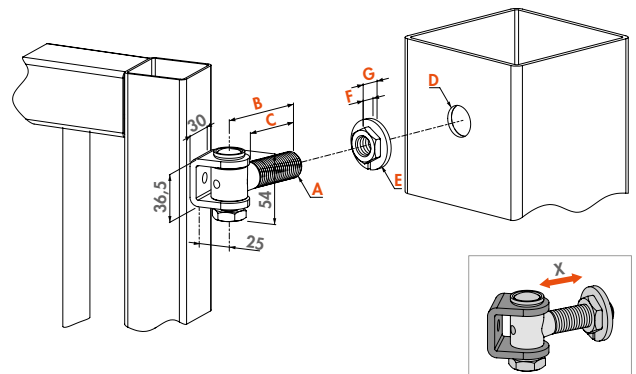
1036-Z
P. 146



1039SET
P. 145



LR
P. 149



ORDER CODES

Welding parts zinc plated (Z)		kg	A	B	C	D	E	F	G
G90LR-Z-M16-65		150	M16	Length 65 mm	47	Ø26	Ø38	10	14,5
G90LR-Z-M16-110		150	M16	Length 110 mm	92	Ø26	Ø38	10	14,5
G90LR-Z-M16-150		150	M16	Length 150 mm	132	Ø26	Ø38	10	14,5
G90LR-Z-M20-67		300	M20	Length 67 mm	45	Ø32	Ø46	11	17,5
G90LR-Z-M20-150		300	M20	Length 150 mm	128	Ø32	Ø46	11	17,5



G90WP (Patented)

Vandal-proof one way 90° hinge with adjustable steel wall plate

Vandal-proof hot-dip galvanized 90° hinge. This secured hinge is the perfect solution for all your small and medium-sized gates. The eyebolt can not be tampered with when the gate is closed. Thanks to the wall plate with adjustable nut you can easily adjust the hinge.

SPECIFICATIONS

- 90° opening
- Wall plate with adjustable nut
- Black steel ear plate for welding
- Vandal-proof
- 500h salt spray resistant

HINGE PARTS



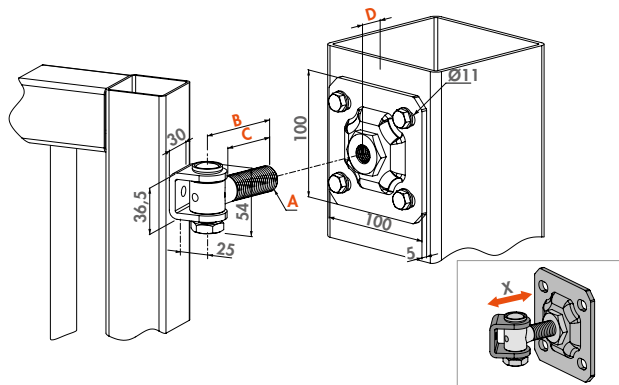
1036-B
P. 146



1039SET
P. 145



1005WP
P. 149



ORDER CODES

Welding parts in black steel (B)	kg	A	B	C	D
G90WP-B-M16-65	150 kg	M16	Length 65 mm	47	19
G90WP-B-M16-110	150 kg	M16	Length 110 mm	92	19
G90WP-B-M16-150	150 kg	M16	Length 150 mm	132	19
G90WP-B-M20-67	300 kg	M20	Length 67 mm	45	20
G90WP-B-M20-150	300 kg	M20	Length 150 mm	128	20



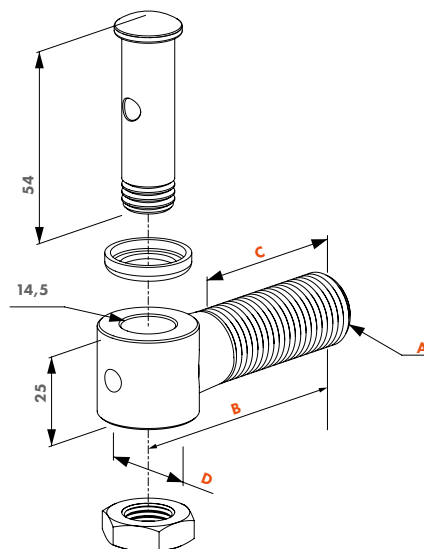
1039SET (Patented)

Eyebolt set for earplate 1036

Eyebolt set for earplate 1036

SPECIFICATIONS

- Eyebolt and hot-dip galvanized bolt
- 500h salt spray resistant



ORDER CODES

Hot-dip galvanized eyebolt set	A	B	C	D
1039SET-M16-65	M16	Length 65 mm	47	23
1039SET-M16-110	M16	Length 110 mm	92	23
1039SET-M16-150	M16	Length 150 mm	132	23
1039SET-M20-67	M20	Length 67 mm	45	27
1039SET-M20-150	M20	Length 150 mm	128	27



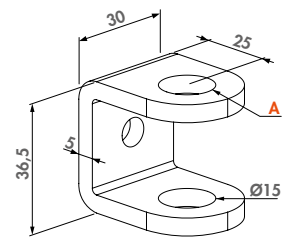
1036

Earplate for eyebolt 1039SET

Earplate for hinge 1039SET

SPECIFICATIONS

- U-shaped ear plate to weld on in black steel or zinc plated
- Compatible with eyebolt set 1039SET-M16 and M20



ORDER CODES

Black steel (B)

Zinc plated (Z)

A

1036-B

1036-Z

For crossbolt Ø14 mm



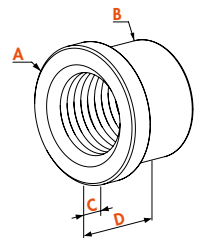
1127

Weld nut

M16 or M20 weld nut

SPECIFICATIONS

- Compatible with eyebolt set 1039SET
- Black steel or zinc plated welding nut



ORDER CODES

For eyebolt

Zinc plated (Z)

A B C D

1127-M16

1127-Z-M16

Ø25,5 Ø20,8 5 20

1127-M20

1127-Z-M20

Ø29,5 Ø24,8 5 20



G-ORNA-WP

Ornamental hinge set with wall plate

Hot-dip galvanized hinge set including greaser and wall plate with adjustable nut for ornamental gates.

SPECIFICATIONS

- Ornamental hinge set
- Black steel or zinc plated welding base
- Hot-dip galvanized wall plate
- Hot-dip galvanized clamp hinge with stainless steel bolt
- Welding base 35x35 mm, M20 clamp hinge

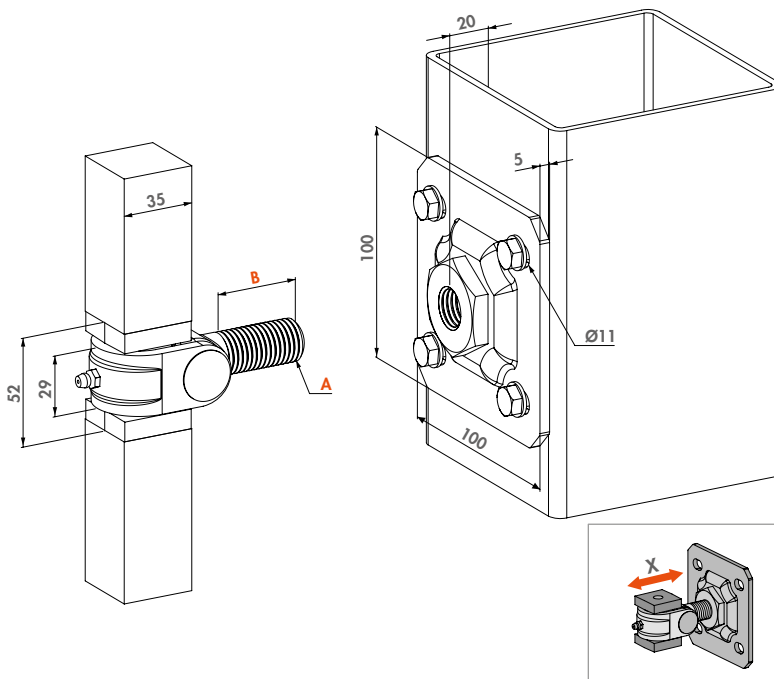
HINGE PARTS



1002B
P. 148

1004ORNA
P. 148

1005WP-M20
P. 149



ORDER CODES

Welding block in black steel (B)

G-ORNA-WP-B-M20



300 kg

A

B

M20 Length 40 mm

G-ORNA-LR

Ornamental hinge set

Hot-dip galvanized hinge set including greaser and adjustable nut for ornamental gates.



SPECIFICATIONS

- Ornamental hinge set
- Black steel or zinc plated welding base
- Zinc plated adjustable nut
- Hot-dip galvanized clamp hinge with stainless steel bolt

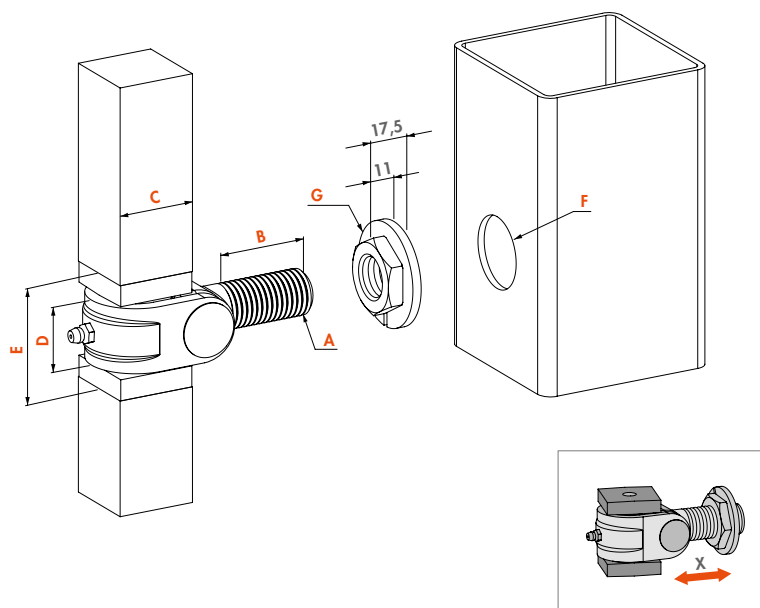
HINGE PARTS



1002B
P. 148

1004ORNA
P. 148

LR
P. 149



ORDER CODES

Welding block in black steel (B)

G-ORNA-LR-B-M20

G-ORNA-LR-B-M24

G-ORNA-LR-B-M27



300 kg

400 kg

500 kg

A

B

C

D

E

F

G

M20 Length 40 mm Welding base 35 29 52 Ø32 Ø46

M24 Length 45 mm Welding base 40 34 57 Ø35 Ø50

M27 Length 60 mm Welding base 50 39 62 Ø38 Ø53



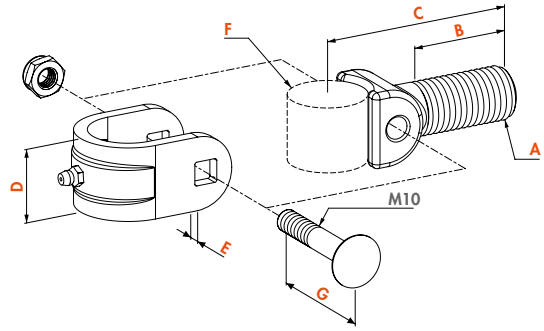
1004ORNA

Clamp hinge

Hot-dip galvanized clamp hinge.

SPECIFICATIONS

- Hot-dip galvanized clamp hinge with stainless steel bolt



ORDER CODES

	A	B	C	D	E	F	G
1004ORNA-M20	M20	Length 40 mm	81	29	6	Ø30	55
1004ORNA-M24	M24	Length 45 mm	89	34	6	Ø35	60
1004ORNA-M27	M27	Length 65 mm	106	39	6	Ø40	65



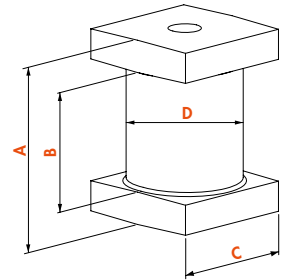
1002B

Welding block for ornamental hinge

Black steel plated welding block for ornamental clamp hinges.

SPECIFICATIONS

- Black steel plated welding base



ORDER CODES

Black steel (B)	A	B	C	D
1002B-B-35	52	32	35	Ø30
1002B-B-40	57	37	40	Ø35
1002B-B-50	62	42	50	Ø40





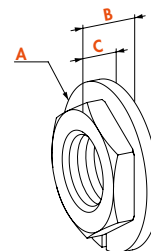
LR

Adjustable nut

Zinc plated adjustable welding nut for ornamental gates. With this system you can finetune your installed gate.

SPECIFICATIONS

- Adjustable welding nut, zinc-plated



ORDER CODES

	A	B	C
LR-M16	Ø38	15,5	10,5
LR-M20	Ø46	17,5	11
LR-M24	Ø50	17,5	11
LR-M27	Ø53	17,5	11



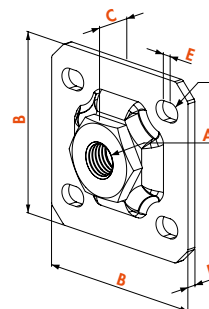
1005WP

Wall plate hot-dip galvanized

Hot-dip galvanized wall plate with adjustable nut for garden gate hinges.

SPECIFICATIONS

- Steel wallplate hot dip galvanized



ORDER CODES

	A	B	C	D	E	F
1005WP-M12	M12	60	15	3	5	Ø7
1005WP-M16	M16	100	19	5	5	Ø11
1005WP-M20	M20	100	20	5	5	Ø11



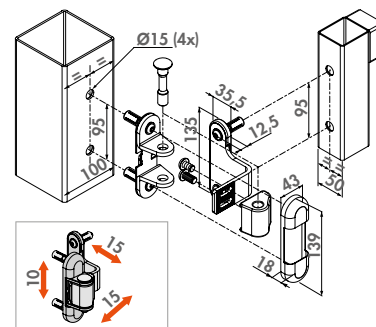
3DM (Patented)

3-way adjustment hinge

Stainless steel hinge for aluminium/metal gates equipped with the fast Quick-Fix system. The hinge is adjustable in three dimensions: height, left/right alignment and swing direction. Also available with hot-dip galvanized arm.

SPECIFICATIONS

- 180° hinge for metal & aluminium gates
- Innovative Quick-Fix mounting
- Reversible for left/right swinging gates
- 15 mm adjustable in width, 10 mm in height and 15 mm in depth
- Vandal-proof
- Hinge socket, axle and socket cover plate in stainless steel



ORDER CODES

Hinge arm in stainless steel	Hinge arm in hot-dip galvanized steel	kg	A
3DM-VP100-P50-A2	3DM-VP100-P50-HDG	150	For Quick-Fix Ø15 mm



HINGES FOR
INDUSTRIAL GATES



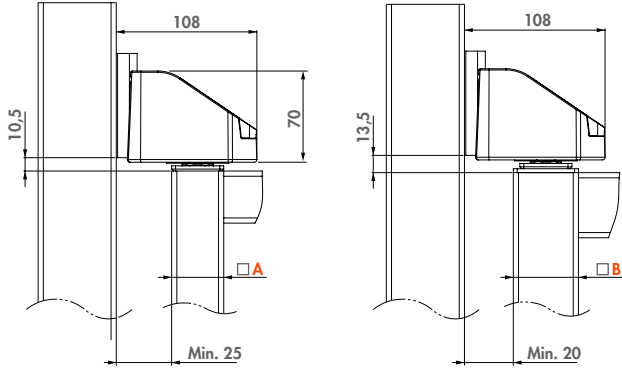
BEARING HINGE

Adjustable 90° hinge with bearing

Stainless steel maintenance free bearing hinge for mounting on all your automated gate projects. The hinge is adjustable in height and width.

SPECIFICATIONS

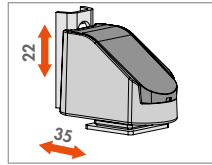
- Specially developed for automated gates
- Stainless steel housing
- Equipped with a stainless steel bearing
- Can be used as top & bottom hinge



HINGE PART



KLAUW
P. 142



ORDER CODE

BEARING HINGE

200 kg

A B
Gate frame 40x40 mm 50x50 mm



DINO

180° double bearing hinge

The Dino hinge is a double bearing hinge in an aluminium housing. The stainless steel bearings guarantee a smooth opening and closing of the gate. Easy to install with Quick-Fix.

COLOR OPTIONS

SILV 9005

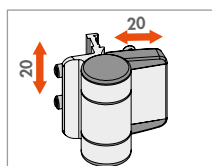
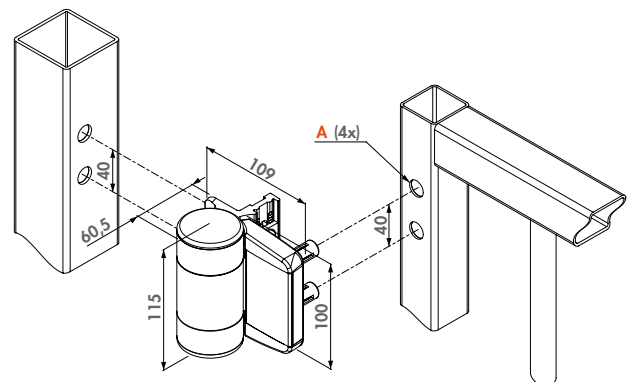
SPECIFICATIONS

- Aesthetic design & powder coated aluminium housing
- Fixing: Anti-theft & vandal-proof
- Fast and easy fixing with Quick-Fix

COMPATIBLE GATE CLOSER



MAMMOTH180
P. 20



ORDER CODE

DINO

150 kg

A
For Quick-Fix Ø15 mm



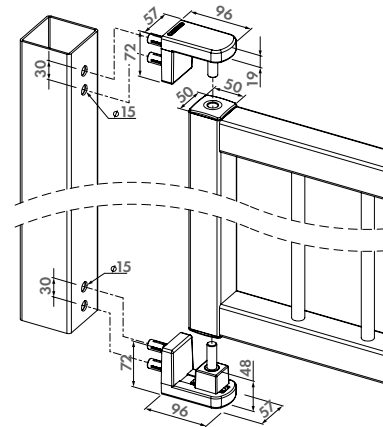
NOSEHINGE-I

Compact, 2-way 90° hinge

Adjustable and compact 90° hinge. The inner parts are made out durable extruded aluminium and guarantee thus a long life span. Easy installation guaranteed thanks to our patented Quick-Fix bolts. Given its sleek and aesthetic design, Nosehinge is a perfect fit for residential gates. For 50 mm gate frames only.

SPECIFICATIONS

- Made out of extruded aluminium parts with plastic covers
- Easy to fix with Quick-Fix
- For left & right turning gates
- 15 mm width adjustable and 25 mm depth adjustable
- Includes two hinges, one for bottom and one for top
- Includes DURA-5050 gate plug for 50 mm gate frames
- Max width of the gate: 2500 mm
- Max weight of the gate: 120 kg



ORDER CODE

NOSEHINGE-I-50

Gate frame 50x50 mm

HINGES FOR INDUSTRIAL GATES



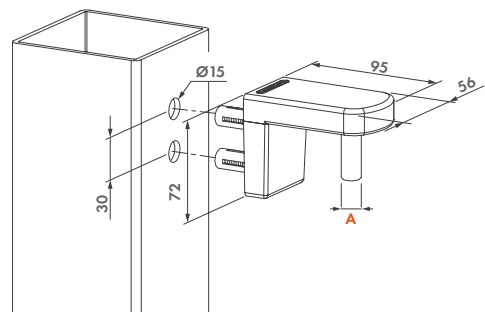
NOSEHINGE-A

Compact, 2-way 90° hinge

Adjustable and compact 90° hinge. The inner parts are made out durable extruded aluminium and guarantee thus a long life span. Easy installation guaranteed thanks to our patented Quick-Fix bolts. Given its sleek and aesthetic design, Nosehinge is a perfect fit for residential gates.

SPECIFICATIONS

- Made out of extruded aluminium parts with plastic covers
- Easy to fix with Quick-Fix
- For left & right turning gates
- 15 mm width adjustable and 25 mm depth adjustable
- Includes two hinges
- Max width of the gate: 2500 mm
- Max weight of the gate: 120 kg
- Compatible with DURA-4040-16 & DURA-5050-16



ORDER CODE

NOSEHINGE-A

A
Ø13,5 mm



PUMA

Compact 2-way adjustable 180° surface mounted hinge

The Puma hinge is a compact surface mounted hinge with a powder coated aluminium housing. Its 180° opening angle together with its vertical and horizontal adjustability make the hinge flexible. Simple to install thanks to the Quick-Fix fastening system; no welding needed. This hinge easily supports gates up to 1 metre wide and 60 kg. The Puma hinge's aesthetic design perfectly fits aluminium and smaller residential gates.

COLOR OPTIONS

SILV 9005

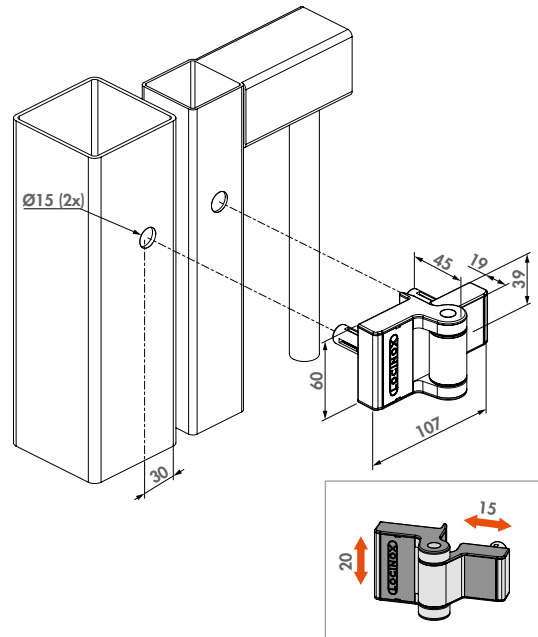
SPECIFICATIONS

- For gates up to 1 m wide and 60 kg
- For left and right opening gates
- 15 mm adjustable in width and 20 mm in height
- No welding required: drill holes and fix with Quick-Fix

COMPATIBLE WITH TIGER GATE CLOSER



TIGER
P. 19



ORDER CODE

PUMA

60 kg 2 x Quick-Fix

SWING40 (Patented)

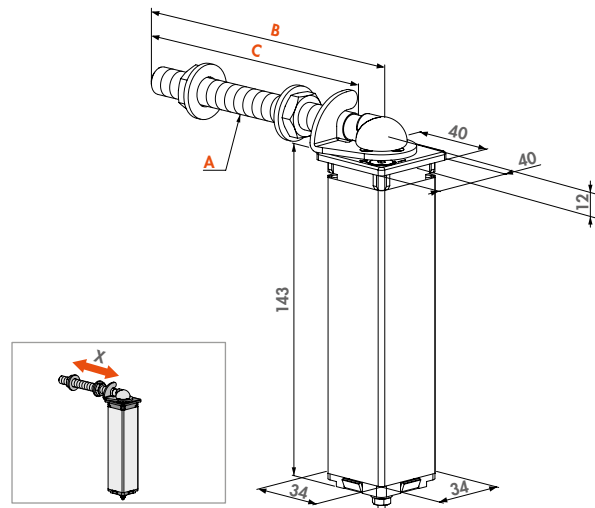
Spring hinge for garden gates

Spring hinges for garden gates and pedestrian gates. The set can easily be fitted inside a 40x40 mm tubing. The force can be adjusted by means of an Allen key.



SPECIFICATIONS

- One for the top, one for the bottom
- Fixing: slides in gate frame
- Only for gate frames 40x40/2 mm
- Reversible: left/right
- Adjustable spring tension: M3 allen key
- Maximum width of the gate: 1300 mm
- Maximum weight: 75 kg
- Maximum profile thickness: 2 mm



ORDER CODES

Hangerbolt length	kg	A	B	C
SWING40-130	75 kg	M12	Length 130 mm	110
SWING40-150	75 kg	M12	Length 150 mm	130



GBM12

Hinge set with polyamide plugs for garden gates

Stainless steel garden gate hinge set. The set consists of 2 threaded M12 hinge axles with polyamide hinge plugs. The economical quality solution for all your garden/walk gate projects.

SPECIFICATIONS

- Hinge axle M12 in stainless steel
- Plug available for profile 30×30 mm or 40×40 mm
- Length of the threaded axle: 130 mm or 150 mm
- Fixing: slide in plug

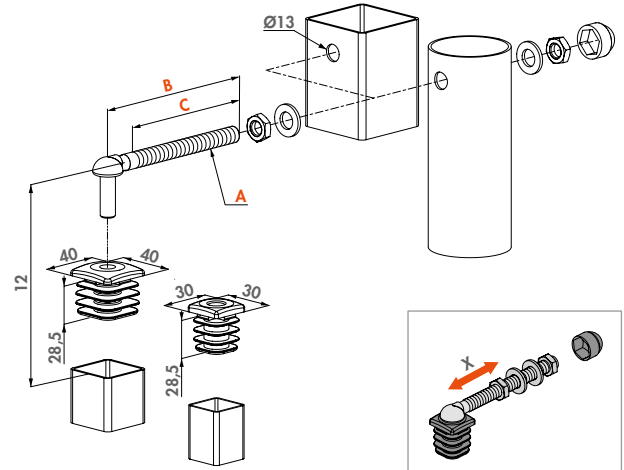
HINGE PART



1040TPSM12
P. 158

ORDER CODES

For square profiles 30 × 30 mm	For square profiles 40 × 40 mm	kg	A	B	C
GBM12-30-130	GBM12-40-130	60	M12	Length 130 mm	110
GBM12-30-150	GBM12-40-150	60	M12	Length 150 mm	130



GBM12-DP40 (Patented)

Hinge set with aluminium plugs for garden gates

Stainless steel garden gate hinge set with reinforced aluminium plugs for extra stability. The economical quality solution for all your garden/walk gate projects.



SPECIFICATIONS

- Hinge set with aluminium reinforced hinge post plugs
- Hinge axle M12 in stainless steel
- Plug available for profile 40×40 mm
- Length of the threaded axle: 130 mm or 150 mm
- Fixing: slide in plug

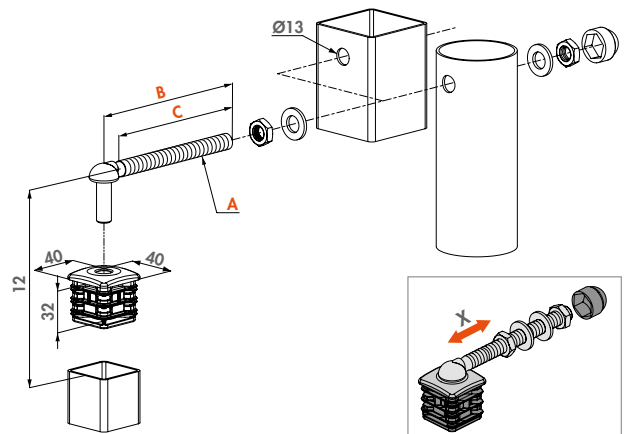
HINGE PARTS



1040TPSM12 DURA
P. 158 P. 158

ORDER CODES

Hangerbolt length	kg	A	B	C
GBM12-DP-40-130	75	M12	Length 130 mm	110
GBM12-DP-40-150	75	M12	Length 150 mm	130



GBM16

Hinge set with polyamide plugs for garden gates



Hot-dip galvanized hinge set. The set consist of 2 threaded M16 hinge axles with polyamide hinge plugs. The economical quality solution for all your garden/walk gate projects.

SPECIFICATIONS

- With plastic hinge plug 40×40 mm
- Hinge axle M16 in hot-dip galvanized steel
- Length of the threaded axle: 160 mm or 180 mm
- Fixing: slide in plug

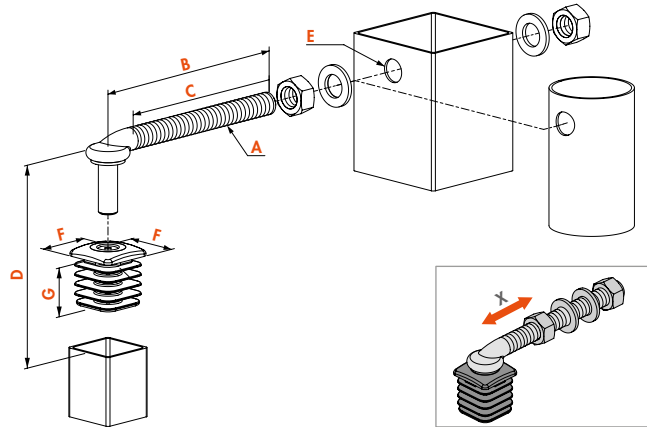
HINGE PART



1040HDSM16
P. 158

ORDER CODES

Hangerbolt length		A	B	C
GBM16-40-160	75 kg	M16	Length 160 mm	135
GBM16-40-180	75 kg	M16	Length 180 mm	155



GBM16-DP (Patented)

Hinge set with aluminium plugs for garden gates



Hot-dip galvanized steel garden gate hinge set with reinforced aluminium plugs for extra stability. The economical quality solution for all your garden/walk gate projects.

SPECIFICATIONS

- Hinge set with aluminium reinforced hinge post plugs
- Hinge axle M16 in hot-dip galvanized steel
- Plug available for profile 40×40 mm or 50×50 mm
- Length of the threaded axle: 160 mm or 180 mm
- Fixing: slide in plug

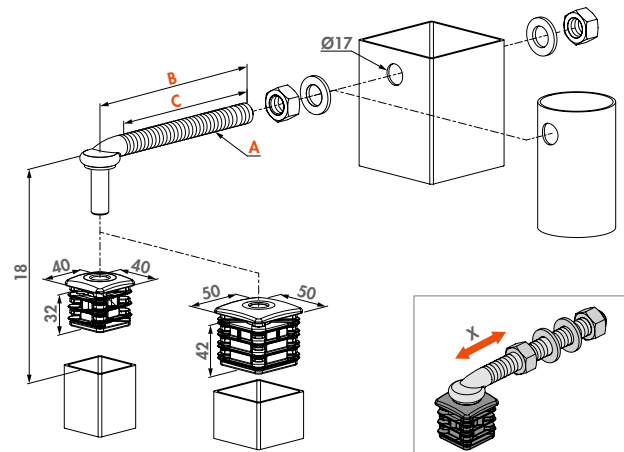
HINGE PARTS



1040HDSM16 DURA
P. 158 P. 158

ORDER CODES

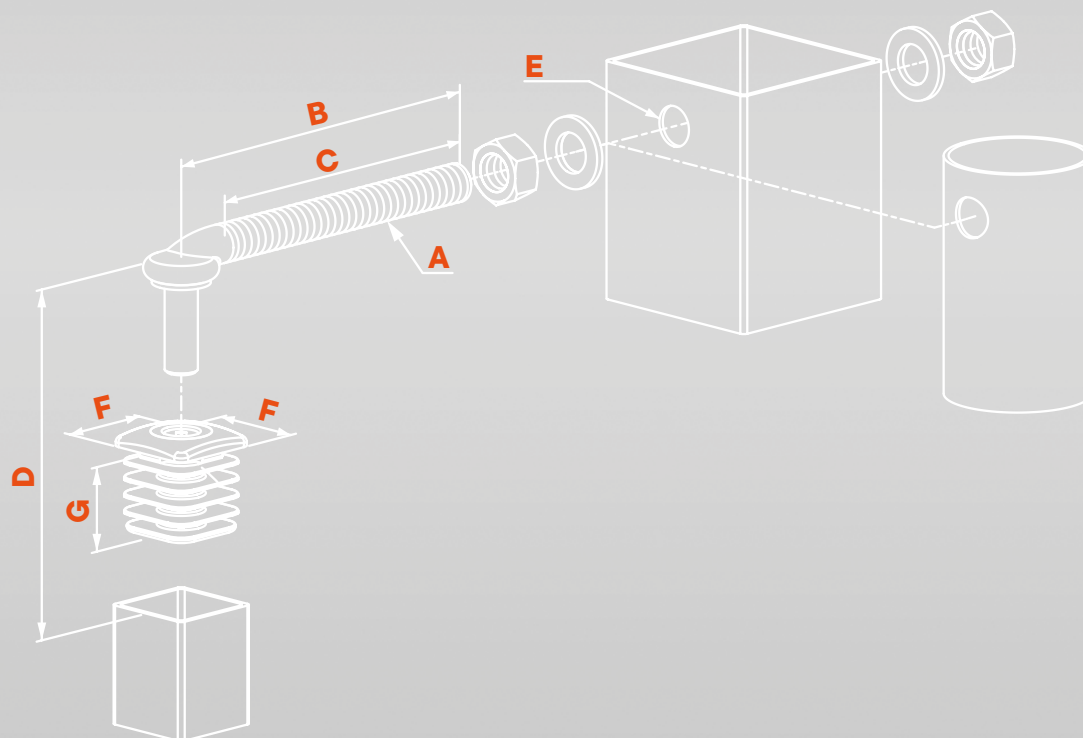
For square profiles 40 × 40 mm	For square profiles 50 × 50 mm		A	B	C
GBM16-DP-40-160	GBM16-DP-50-160	100 kg	M16	Length 160 mm	135
GBM16-DP-40-180	GBM16-DP-50-180	100 kg	M16	Length 180 mm	155



GBM comparison

Garden gates hinges

We have several economical quality solutions for garden or pedestrian gates. These are made of stainless steel or hot-dip galvanized steel and come with polyamide or aluminium plugs for fixation in the gate profile.



GBM	kg	MATERIAL	INFORMATION						
			A	B	C	D	E	F	G
12									
GBM12-30-130	60kg	Polyamide	M12	130	110	12	Ø 13	30	28,5
GBM12-40-130	60kg	Polyamide	M12	130	110	12	Ø 13	40	28,5
GBM12-30-150	60kg	Polyamide	M12	150	130	12	Ø 13	30	28,5
GBM12-40-150	60kg	Polyamide	M12	150	130	12	Ø 13	40	28,5
12-DP									
GBM12-DP40-130	75kg	Aluminium	M12	130	110	12	Ø 13	40	32
GBM12-DP40-150	75kg	Aluminium	M12	150	130	12	Ø 13	40	32
16									
GBM16-40-160	75kg	Polyamide	M16	160	135	18	Ø 17	40	36,5
GBM16-40-180	75kg	Polyamide	M16	180	155	18	Ø 17	40	36,5
16-DP									
GBM16-DP40-160	100kg	Aluminium	M16	160	135	18	Ø 17	40	37,5
GBM16-DP50-160	100kg	Aluminium	M16	160	135	18	Ø 17	50	37,5
GBM16-DP40-180	100kg	Aluminium	M16	180	155	18	Ø 17	40	36,5
GBM16-DP50-180	100kg	Aluminium	M16	180	155	18	Ø 17	50	36,5

GAM12

Hinge set for garden gates

Stainless steel garden gate hinge set. The set consists of 2 threaded M12 hinge axles with 2 black steel welding ears. The economical quality solution for all your garden/walk gate projects.



SPECIFICATIONS

- Hinge axle M12 in stainless steel
- Length of the threaded axle: 130 mm or 150 mm
- Welding ear in black steel

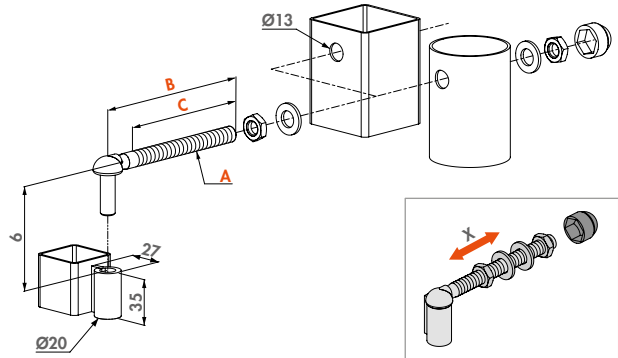
HINGE PARTS



1040TPSM12
P. 158



1041-01
P. 158



ORDER CODES

Hangerbolt length

	kg	A	B	C
GAM12-130	100	M12	Length 130 mm	110
GAM12-150	100	M12	Length 150 mm	130

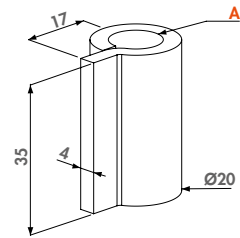




1041-01

Welding ear in black steel

Welding ear in black steel. Compatible with hinge axle 1040TPS-M12. Just weld on the ear to your gate and it's ready for coating. A basic hinge solution for your small garden gates.



SPECIFICATIONS

- Component of the GAM12 hinge

ORDER CODE

1041-01

A

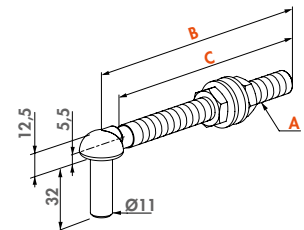
For hangerbolt axle Ø12



1040TPSM12

Stainless steel hinge axle M12

Stainless steel hinge axle M12. Available in 2 versions: 130 or 150 mm.



SPECIFICATIONS

- Stainless steel M12 hangerbolt

ORDER CODES

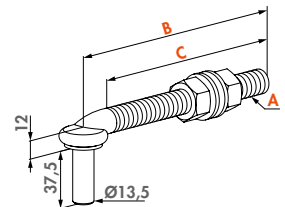
Hangerbolt length	A	B	C
1040TPS-M12-130	M12	Length 130 mm	110
1040TPS-M12-150	M12	Length 150 mm	130



1040HDSM16

Hot-dip galvanized hinge axle M16

Hot-dip galvanized hinge axle M16. Compatible with hinge plug DURA-4040-16 and DURA-5050-16.



SPECIFICATIONS

- Hot-dip galvanized hangerbolt M16

ORDER CODES

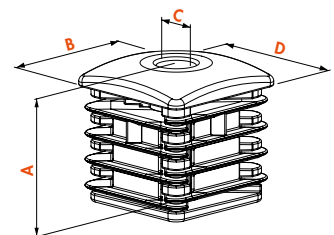
Hangerbolt length	A	B	C
1040HDS-M16-160	M16	Length 160 mm	135
1040HDS-M16-180	M16	Length 180 mm	155



DURA (Patented)

Aluminium reinforced post plug for hinges

Hinge plug reinforced with aluminium for extra stability.



SPECIFICATIONS

- Aluminium reinforced hinge plug

ORDER CODES

For 1040-TPS-M12	For 1040-HDS-M16	A	B	C	D
DURA-4040-12	DURA-4040-16	32	40	Ø11/Ø14	40
	DURA-5050-16	47	50	Ø14	50

4DW (Patented)

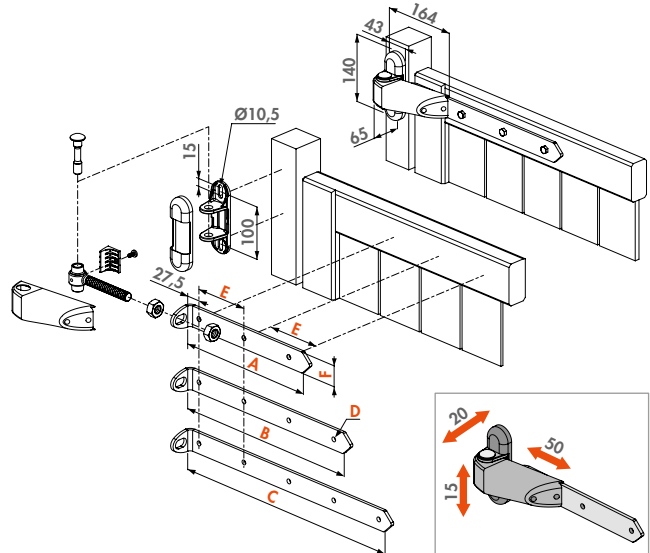
Vandal-proof 4D-hinge for wooden gates



Aesthetic, vandal proof hinge for wooden gates. The stainless steel hinge can be adjusted in 4 dimensions. Height, depth, left / right alignment and rotational direction can be adjusted. Adjustments can be made after installing the hinges. This way your gate is always perfectly aligned.

SPECIFICATIONS

- 180° hinge for wooden gates
- Adjustable in 4 dimensions: height, depth, left / right alignment and rotational direction
- ± 50 mm longitudinal adjustability
- 20 mm depth adjustability (14 mm outside and 6 mm inside of fixed pole)
- Vandal-proof
- Available with 300, 400 or 500 mm stainless steel hinge arm
- Perfect in combination with the H-Wood lock and SHKW keep



ORDER CODES

Hinge arm in stainless steel		A	B	C	D	E	F
4DW-300-A2	150 kg	Length 300 mm			∅9 (3x)	110	40
4DW-400-A2	150 kg		Length 400 mm		∅9 (4x)	110	40
4DW-500-A2	150 kg			Length 500 mm	∅9 (5x)	110	40

3DW (Patented)

180° 3-way adjustment hinge for wooden gates



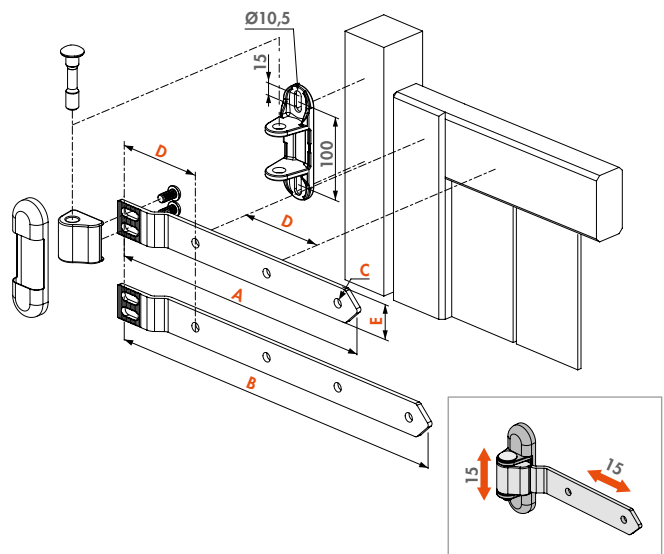
Stainless steel hinge for wooden gates. The hinge is adjustable in three dimensions: height, left/right alignment and swing direction. Also available with hot-dip galvanized arm.

COLOR OPTIONS

SILV 9005

SPECIFICATIONS

- 180° hinge for wooden gates
- Reversible for left/right swinging gates
- Vandal-proof
- Hinge socket, axle and socket cover plate in stainless steel



ORDER CODES

Hinge arm in stainless steel	Hinge arm in hot-dip galvanized steel		A	B	C	D	E
3DW-350-A2	3DW-350-HDG	350 kg	Length 350 mm		∅11 (3x)	110	40
	3DW-450-HDG	350 kg		Length 450 mm	∅11 (4x)	110	40



DROP BOLTS &
GROUND CATCHERS

Drop bolts & ground catchers

The Locinox range of drop bolts and ground stops offers a wide array of solutions. From the economical VSF drop bolt to the internal SUBY or motorised ELECTRADROP, designed for ease of use and aesthetics. For every situation, there is a reliable solution that combines functionality and style.



DROP BOLTS &
GROUND CATCHERS



ELECTRADROP (Patent pending)

Motorized electrical drop bolt

Electric 24V drop bolt with 115 mm throw for safe locking of automated swing gates. By securing your gate with an Electradrop you disburden the electric gate motors.



STAINLESS
STEEL



COLOR OPTIONS

SILV 9005

SPECIFICATIONS

- Vandal-proof, anodized aluminium housing
- To be connected to the warning light on automated gates (min 3 sec prewarning signal) or directly on the gate automation
- Mechanical release possible (by key) in case of emergency
- The integrated obstacle detection will automatically stop the drop bolt movement in case of overpressure to avoid injuries.
- Power consumption: Normal: 25 W / Peak: 72W / Standby: 0,2 W
- 5 m cable included
- Included: 3012-37-STD cylinder
- To connect to a Locinox PowerStone-24V-60W power supply
- IP66 rated

ORDER CODE

ELECTRADROP-E	Motorized electrical drop bolt with Fail Close functionality
ELECTRADROP-E-P	Motorized electrical drop bolt with bolt position detection and Fail Close functionality
ELECTRADROP-R	Motorized electrical drop bolt with integrated emergency batteries
ELECTRADROP-R-P	Motorized electrical drop bolt with bolt position detection and integrated emergency batteries

COMPATIBLE PRODUCTS



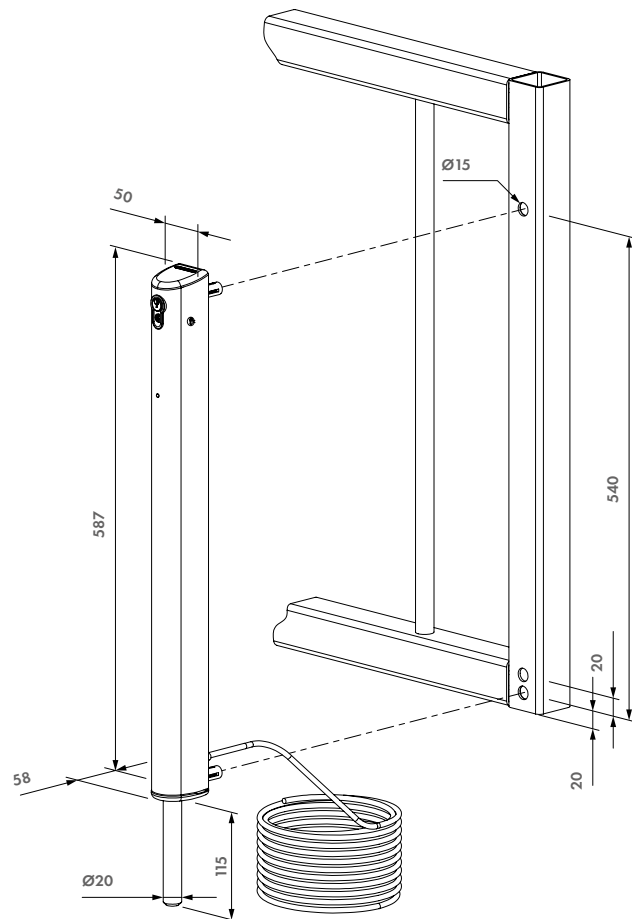
OGS
P. 168



SABO
P. 168



POWERSTONE
P. 60





VSA / VSF

Surface mounted drop bolt

Standard drop bolts with the innovative Quick-Fix. The drop bolt is auto-locked between the double wings.

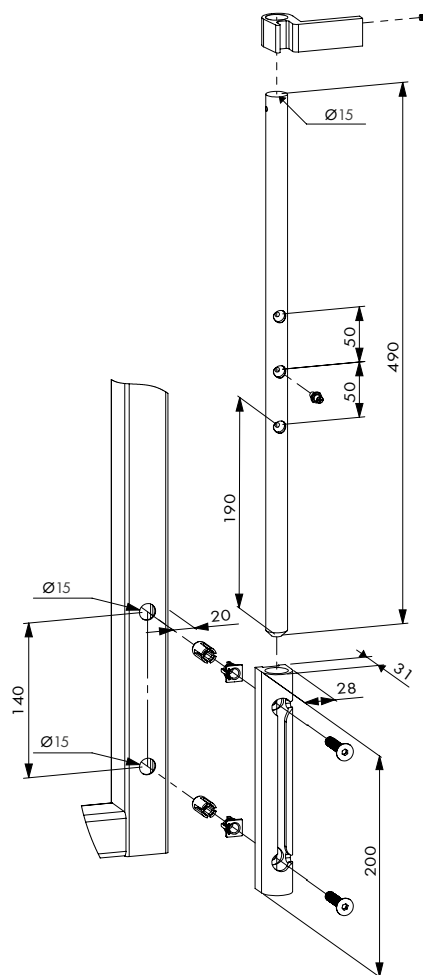


COLOR OPTIONS

ALUM 9005 7016 6009 6005

SPECIFICATIONS

- Type VSF: hot-dip galvanized pin
- Type VSA: aluminium pin
- With aluminium head block
- For profiles as of 40 mm or more
- Height adjustability of the drop bolt: 100 mm
- Throw: 140 mm
- Locks itself between the wings of the gate
- Fast and easy fixing with Quick-Fix
- Easy to retrofit



ORDER CODES

VSA-K-QF1BL With aluminium pin

VSF-K-QF1BL With hot-dip galvanized pin

COMPATIBLE GROUND STOPS



OGS
P. 168



SABO
P. 168



EGS
P. 167

DROP BOLTS & GROUND CATCHERS



KEYDROP (Patented)

Lockable drop bolt

Lockable drop bolt interchangeable with the standard VSA-VSF drop bolts. This product enables you to lock the drop bolt in open or closed position.

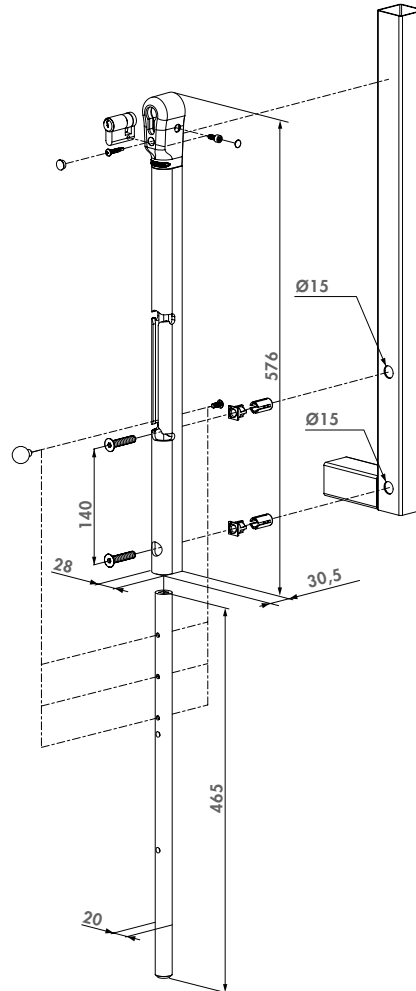


COLOR OPTIONS

SILV 9005 7016 6005

SPECIFICATIONS

- Throw: 140 mm
- Lockable drop bolt with cylinder
- Same drilling pattern as VSF and VSA
- Possibility to work with same key as gate lock
- Height adjustability of the drop bolt: 100 mm
- Height adjustability in 3 positions: 50 mm / position
- The gate can be locked in open or closed position
- For gate profiles 40×40 mm or more



ORDER CODE

KEYDROP For profiles 40 × 40 mm or more

COMPATIBLE GROUND STOPS



OGS
P. 168



SABO
P. 168



EGS
P. 167

SUBY (Patented)

Internal drop bolt

Internal aluminium drop bolt. The drop bolt is operated at a convenient height. The aesthetical solution for all your double-wing gates.

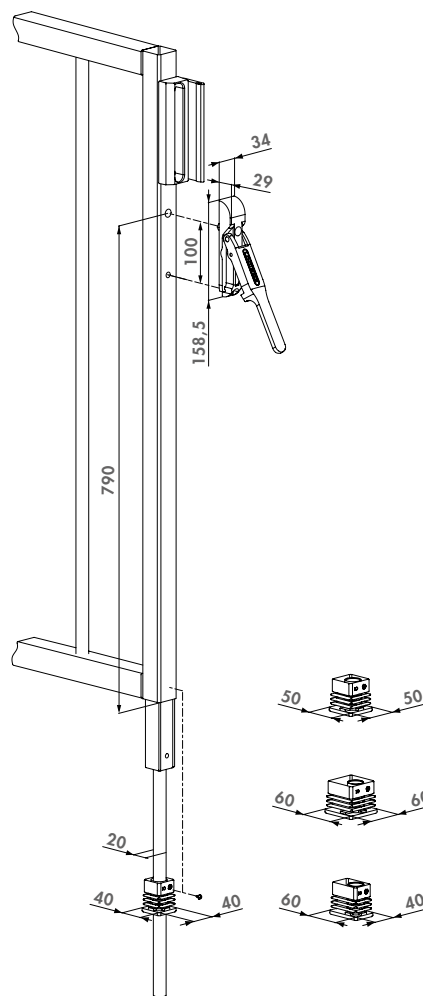


COLOR OPTIONS

SILV 9005 6009 6005

SPECIFICATIONS

- Height adjustability of the drop bolt: 100 mm
- Internal drop bolt in aluminium
- Throw: 120 mm
- Steel handle with black overmoulded polyamide provides the optimal combination between robustness, ergonomics and protection against corrosion
- Internal push spring guarantees a perfect closure (even if the drop bolt is blocked by dirt inside the ground stop) and prevents overpressure
- Fast & easy fixing: 2 screws
- User-friendly manipulation of the drop bolt at a convenient height
- For gate profiles: 40×40 mm, 50×50 mm, 60×60 mm and 60×40 mm
- For profiles of 40 × 40 mm and 40 × 60 mm: max. wall thickness of 2 mm
- For profiles of 50 × 50 mm and 60 × 60 mm: up to a wall thickness of 3 mm



ORDER CODE

SUBY For gate profiles 40×40 mm, 50×50 mm, 60×60 mm and 60×40 mm

COMPATIBLE GROUND STOPS



CGS
P. 167



EGS
P. 167

EGS

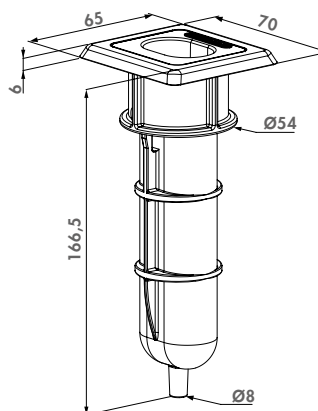
Economic ground catcher

Economic ground catcher for drop bolts with maximum axle of Ø20 mm. With draining hole.



SPECIFICATIONS

- Simple and economic ground stop to put into concrete
- Without stop plate
- Hot-dip galvanized base-plate with polypropylene catcher
- For drop bolts with a maximum axle of Ø20 mm



COMPATIBLE DROP BOLTS



SUBY
P. 166



KEYDROP
P. 165



VSA / VSF
P. 164



ELECTRADROP
P. 163

ORDER CODE

EGS Economic ground stop, without stop plate

CGS

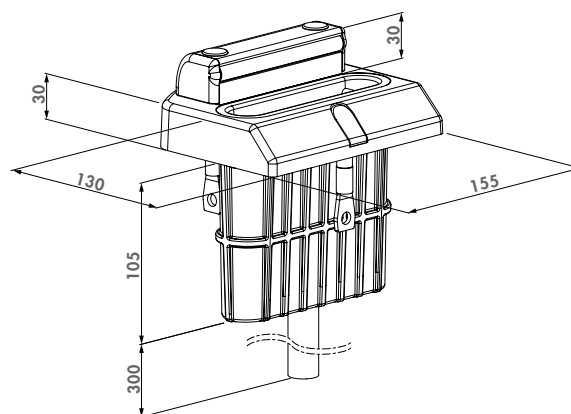
Centered ground stop

Strong ground stop for double wings. Advised in combination with the internal SUBY drop bolt. The CGS has a removable recipient for easy and fast cleaning.



SPECIFICATIONS

- Glass Fibre reinforced Polypropylene base with anodised Aluminium bumper
- Only suitable with internal SUBY drop bolts
- Adjustable stop plate for 40 mm till 60 mm gate frames
- Removable polyamide cleaning recipient
- With water evacuation hose



COMPATIBLE DROP BOLT



SUBY
P. 166

ORDER CODE

CGS Adjustable stop plate for 40 mm to 60 mm gate frames

SABO

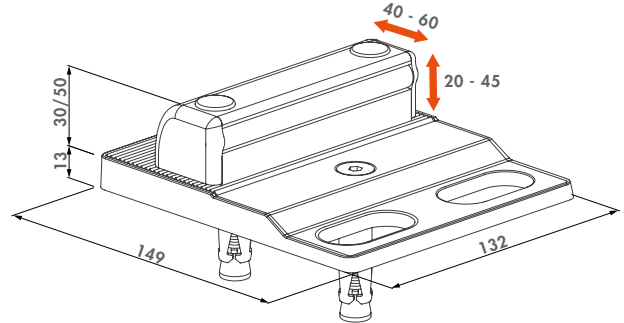
Bolt-on off-centered ground stop

Strong surface mounted aluminium ground stop for double wing gates. Drop bolts with a maximum axle of $\varnothing 20$ mm are the perfect fit.



SPECIFICATIONS

- Surface mounted design, suitable for surface mounted drop bolts
- Maximum drop bolt axle diameter: $\varnothing 20$ mm
- Adjustable in height: distance between finished ground level & bottom of the gate: 20 to 45 mm
- Adjustable in depth, different gate profiles possible: VSA - VSF - Keydrop: 40 to 60 mm; Electradrop: 40 to 50 mm
- Anchor pins included
- Material: black anodized aluminium top plate



ORDER CODE

SABO Bolt-on off-centered ground stop

COMPATIBLE DROP BOLTS



ELECTRADROP
P. 163



KEYDROP
P. 165



VSA / VSF
P. 164

OGS

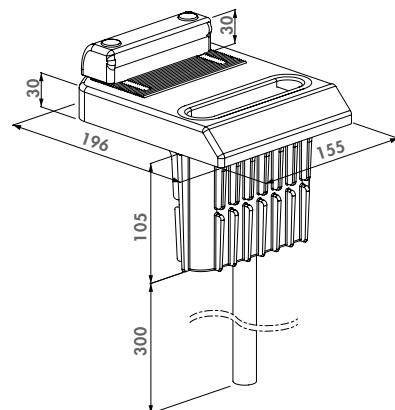
Off-centered ground stop

Strong ground stop for double wings. The OGS has a removable recipient for easy and fast cleaning of the ground stop.



SPECIFICATIONS

- Glass Fibre reinforced Polypropylene
- Suitable for surface mounted drop bolts (VSF - VSA - Electradrop - Keydrop)
- Adjustable stop plate for 40 mm till 60 mm gate frames
- Removable polyamide cleaning recipient
- With water evacuation hose



COMPATIBLE DROP BOLTS



ELECTRADROP
P. 163



KEYDROP
P. 165



VSA / VSF
P. 164

ORDER CODE

OGS Adjustable stop plate for 40 mm to 60 mm gate frames



DROP BOLTS &
GROUND CATCHERS



GATE CATCHERS

Gate catchers

Gate catchers hold your gate open without inflicting any damage. They are adjustable in height to fit your gate and the used profiles. The gate catchers are made of aluminium or hot-dip galvanized steel.



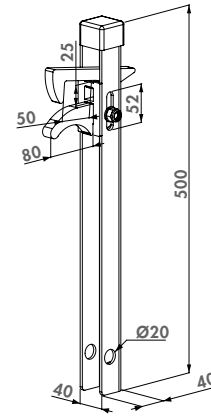
ABK

Gate hold-back catch hot-dip galvanized

Hot-dip galvanized gate catcher to put into concrete. The catch hook is 52 mm adjustable in height. The ABK is developed to catch a horizontal profile. For gate profiles up to 50 mm.

SPECIFICATIONS

- Hot-dip galvanized U-profile in steel
- Tumble element in aluminium
- Height adjustability: 52 mm



ALTERNATIVE GATE CATCHERS



UNDER-GATE CATCHER
P. 173



IN-GATE CATCHER
P. 173

ORDER CODE

ABK For gate profiles with a max. width of 50 mm



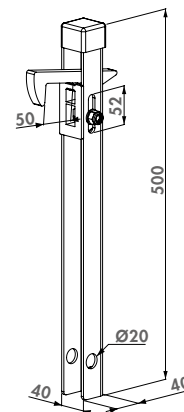
ABL

Gate hold-back catch hot-dip galvanized

Hot-dip galvanized gate catcher to put into concrete. The catch hook is 52 mm adjustable in height. For gate profiles up to 50 mm.

SPECIFICATIONS

- Hot-dip galvanized U-profile in steel
- Stainless steel bolt
- Tumble element in aluminium
- Height adjustability: 52 mm



ALTERNATIVE GATE CATCHERS



UNDER-GATE CATCHER
P. 173



IN-GATE CATCHER
P. 173

ORDER CODE

ABL For gate profiles with a max. width of 50 mm



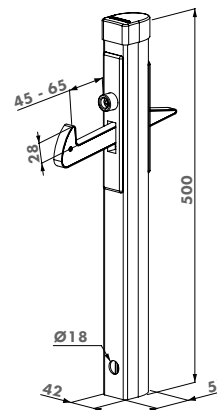
UNDER-GATE CATCHER

Aluminium gate hold-back catch

Aluminium gate catcher. The adjustable catch hook can easily be reversed. The stop rubber and polyamide catch hook avoid damaging the gate frame. Very fast and strong fixing in concrete. For gate profiles from 40 mm till 60 mm. Simple height adjustment of 40 mm.

SPECIFICATIONS

- Aluminium powder coated chassis
- Anchoring holes for concrete
- Height adjustability of the catch hook: 40 mm
- Stop rubber and polyamide catch hook avoid damaging the gate frame
- Stop rubber adjustable for profiles 40 mm till 60 mm
- Reversibility of the catch hook: pre-mounted with hook up
- Catches underside of the gate



ORDER CODE

UNDER-GATE CATCHER Under-gate Catcher for 40 mm till 60 mm



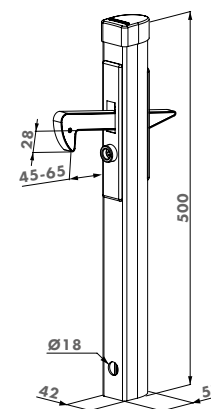
IN-GATE CATCHER

Aluminium gate hold-back catch

Aluminium gate catcher. The adjustable catch hook can easily be reversed. The stop rubber and polyamide catch hook avoid damaging the gate frame. Very fast and strong fixing in concrete. For gate profiles from 40 mm till 60 mm. Simple height adjustment of 40 mm.

SPECIFICATIONS

- Aluminium powder coated chassis
- Anchoring holes for concrete
- Height adjustability of the catch hook: 40 mm
- Stop rubber and polyamide catch hook avoid damaging the gate frame
- Stop rubber adjustable for profiles 40 mm till 60 mm
- Reversibility of the catch hook: pre-mounted with hook down
- Catches upper side of the gate



ORDER CODE

IN-GATE CATCHER In-gate catcher for 40 mm till 60 mm





Tools

Locinox guarantees a quick, qualitative and perfect installation thanks to the in-house developed jigs.



MULTITOOL

Multifunctional tool

7-in-1 multifunctional tool for Locinox products. There are seven essential functions, including two screwdrivers (PH1 and PH2), a flathead screwdriver (1.0mm x 5mm) and an assortment of four hex keys (HEX3, HEX4, HEX5, HEX6).

SPECIFICATIONS

- Steel tools
- 9 cm x 3.5 cm x 1.5 cm
- Available in RAL9005

ORDER CODE

MULTITOOL



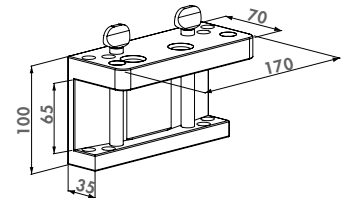
3970LA

Drilling jig

Drilling jig to prepare the gate-/strike-post for swing gate locks and according keeps. The jig can be adjusted for profiles 40-50-60 mm. The jig guarantees a perfect center alignment of the Locinox lock/keep on your posts.

SPECIFICATIONS

- Drilling jig for surface mounted swing gate locks and its keeps
- Adjustable for profiles from 40-50-60 mm



ORDER CODE

3970LA

For swing gate locks



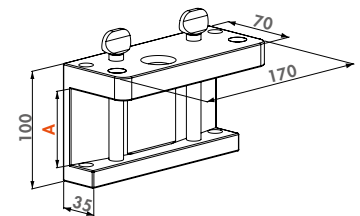
3970LS

Drilling jig

Drilling jig to prepare the gate- and strike-post for sliding gate locks and according keep. The jig can be adjusted for profiles 40-50-60 mm or 60-80 mm according to the version. The jig guarantees a perfect center alignment of the Locinox lock/keep on your posts.

SPECIFICATIONS

- Drilling jig for: LS, LL, LG locks and SSKZ QF keep
- Available in two versions: for profiles from 40-50-60 mm or 60-80 mm



ORDER CODES

3970LS-4060

For sliding gate locks 40-50-60 mm

3970LS-6080

For sliding gate locks 60-80 mm



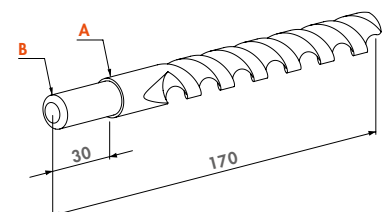
DRILL HSS 15

Drilling bit Ø15 mm with drill-chuck Ø13 mm

HSS drill with Ø15 mm and drill-chuck Ø13 mm. Fits any drilling machine.

SPECIFICATIONS

- Drilling bit Ø15 mm with drill-chuck Ø13 mm
- For preparation of your profiles
- For use with the drilling jig 3970LA



ORDER CODE

DRILLØ15

A B
Ø15 mm Ø13 mm



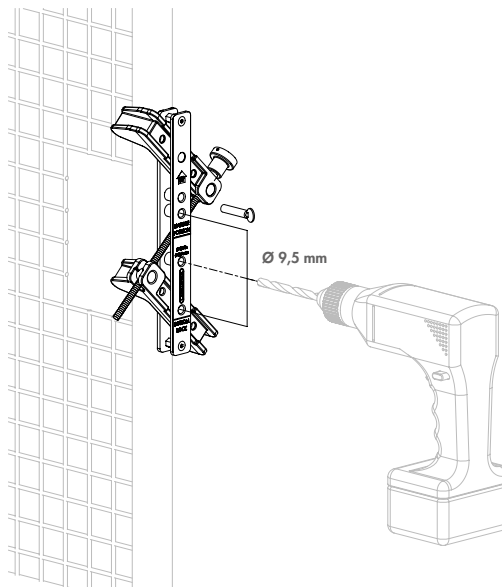
DRILLFIX

Tool case with drilling jig for surface mounted lock and corresponding keep

Quickly and accurately install Locinox surface mounted locks and keeps with our brand new Drill-Fix jig. This jig is designed to self-center on square or round posts, and guarantees perfect alignment. This will allow you to easily drill the 4 hole pattern for the lock or the two holes necessary for the keep. The Drill-Fix comes in a sleek and sturdy case that includes all the necessary accessories to install Locinox locks and keeps.

SPECIFICATIONS

- Tool case with self-centering drilling tool for fast assembly of Locinox surface mounted gate locks and keeps
- Drill jig can be used for round, square or rectangular profiles from 30 up to 76 mm
- Includes 3 drill bits (Ø9,5 mm, Ø15 mm, Ø18 mm)
- Installation of Locinox surface mounted locks and keeps in 4 easy steps
- Includes Locitool LA
- Includes Allen Key and positioning pin



ORDER CODE

DRILLFIX Tool case with drilling jig for lock and keep



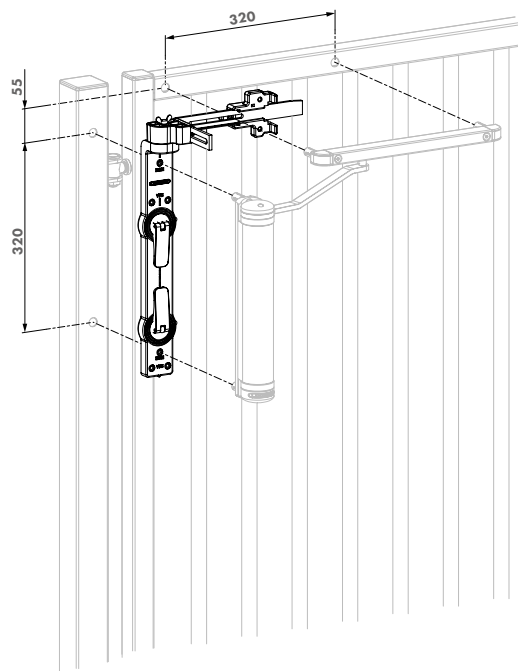
LION-VTC-DRILL

Assembly and drill jig for Lion and Verticlose-2 gate closers

Toolbox with the required tools to install both Lion and Verticlose-2 gate closers very quickly and efficiently. The Lion-VTC Drill guarantees a flawless alignment of the gate closer in relation to the gate. No more measuring - just fix, drill, install and ready. Highly recommended.

SPECIFICATIONS

- Sturdy box with compartments
- Spare set with 10 Quick-Fix expanders
- 2 supplied drills Ø5 / Ø15 mm



ORDER CODE

LION-VTC-DRILL Installation and drilling jig for Lion & VTC-2 gate closers



TIGERDRILL

Installation and drilling jig for Tiger gate closer

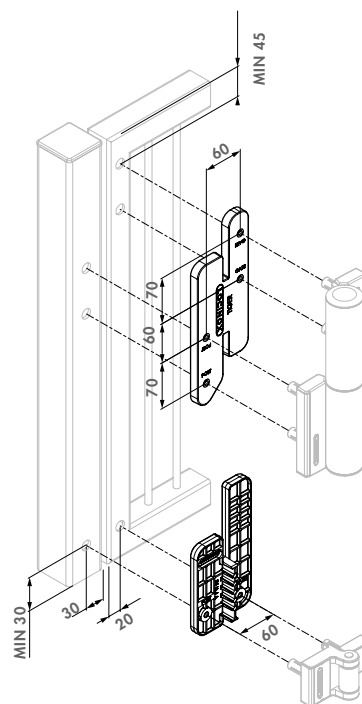
Tool case with installation and drilling jig to perfectly align and install the Tiger gate closer and its Puma hinge. This tool guarantees perfect alignment and a fast and easy installation. No measuring needed, just fix the tool on the post, drill the holes, install the Tiger and Puma, and close the gate.

SPECIFICATIONS

- 2 supplied drills $\varnothing 5 / \varnothing 15$ mm
- Spare set with 10 Quick-Fix expanders
- Solid plastic box with compartments for convenient storage
- Including accessories for mounting and adjustment of Tiger
- Recommended to be combined with Drillvise-IV

ORDER CODE

TIGERDRILL Installation and drilling jig for Tiger gate closer



RHINODRILL

Assembly and drill jig for Rhino gate closer

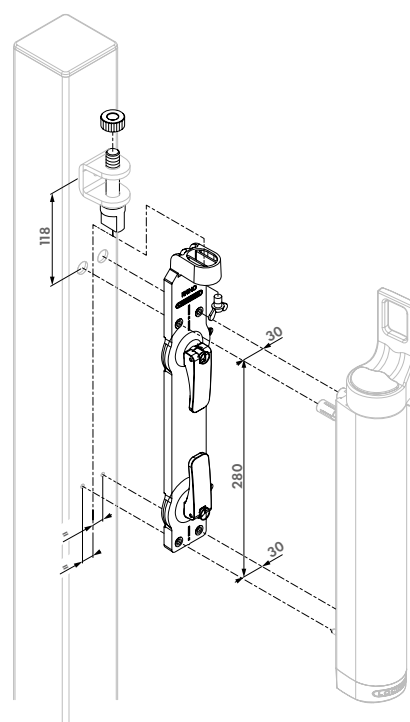
Toolbox with installation kit to drill holes when mounting Rhino gate closer on Locinox hinges. Rhino uses the hinge to close the gate. This tool guarantees a perfect alignment of the Rhino gate closer to the existing hinge. No more measuring: fix, drill, install and ready.

SPECIFICATIONS

- 2 supplied drills $\varnothing 5 / \varnothing 15$ mm
- Spare set with 10 Quick-Fix expanders
- Solid plastic box with compartments for convenient storage
- Positions Rhino perfectly with regards to the Locinox hinge
- Including accessories for assembly and adjustment of Rhino

ORDER CODE

RHINODRILL Assembly and drill calibre for Rhino gate closer



Quick-Fix

The unique Quick-Fix fastening system guarantees an extremely secure fixing on all your gates and fences. As a unique patented solution, Quick-Fix ensures an assembly which is twice as quickly.

QUICK ASSEMBLY

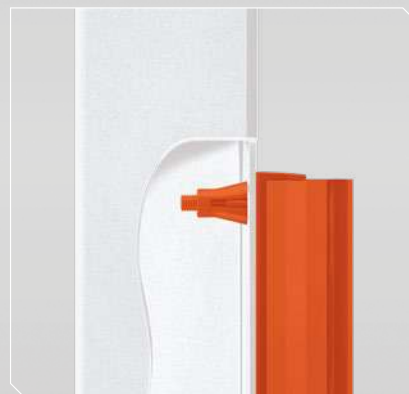
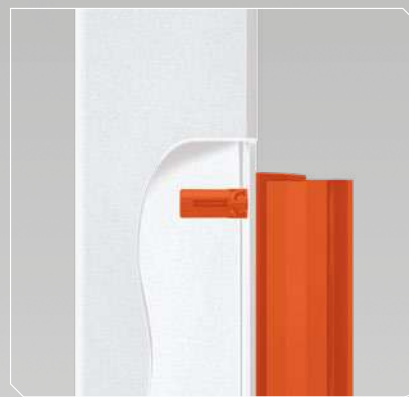
Quick-Fix is pre-assembled on the product. You win valuable time on site, which allows you to be quicker with your next customer. You only need to drill the required 15 mm holes, place the product on the holes, fix and ready!

FIRM ANCHORING

With its 1,000 kg tensile strength a firm anchoring is always guaranteed. Quick-Fix is available for profiles with a wall thickness from 1 up to 5 mm or from 4 up to 8 mm.

CORROSION FREE

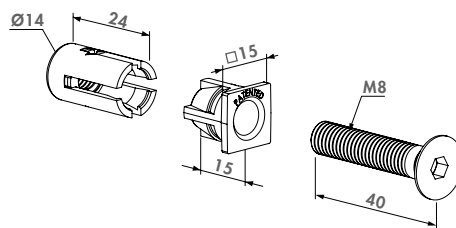
Locinox relies upon the best materials. This also applies to Quick-Fix which is 100% made of premium stainless steel. Quick-Fix easily passes the 500h salt spray test.



QUICK-FIX (Patented)

Stainless steel fixation bolt with high pulling resistance

Quick-Fix guarantees an easy, fast and highly robust mounting. The new generation of the Quick-Fix can be reused completely many times thanks to its innovative design.



SPECIFICATIONS

- Patented mounting system out of stainless steel
- Very strong: 1.000 kg pulling resistance
- Innovative design which guarantees reuse of the Quick-Fix
- For profiles with thickness till 5 mm

ORDER CODE

QUICK-FIX

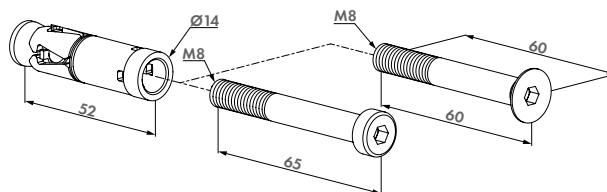
Patented mounting system



WALL-FIX

Wall fixation set for keeps

The Wall-Fix ensures a firm anchoring of most Locinox keeps in (brick) walls. The components of this fixation set are made out of steel.



SPECIFICATIONS

- For a solid anchoring of keeps in walls
- Can be used for SAKL, SHKL, SMKL, SFKB, SFKP and all Modulec - keeps
- Consists out of 2 expansion anchors with matching bolts

ORDER CODE

WALL-FIX

Wall fixation set for keeps

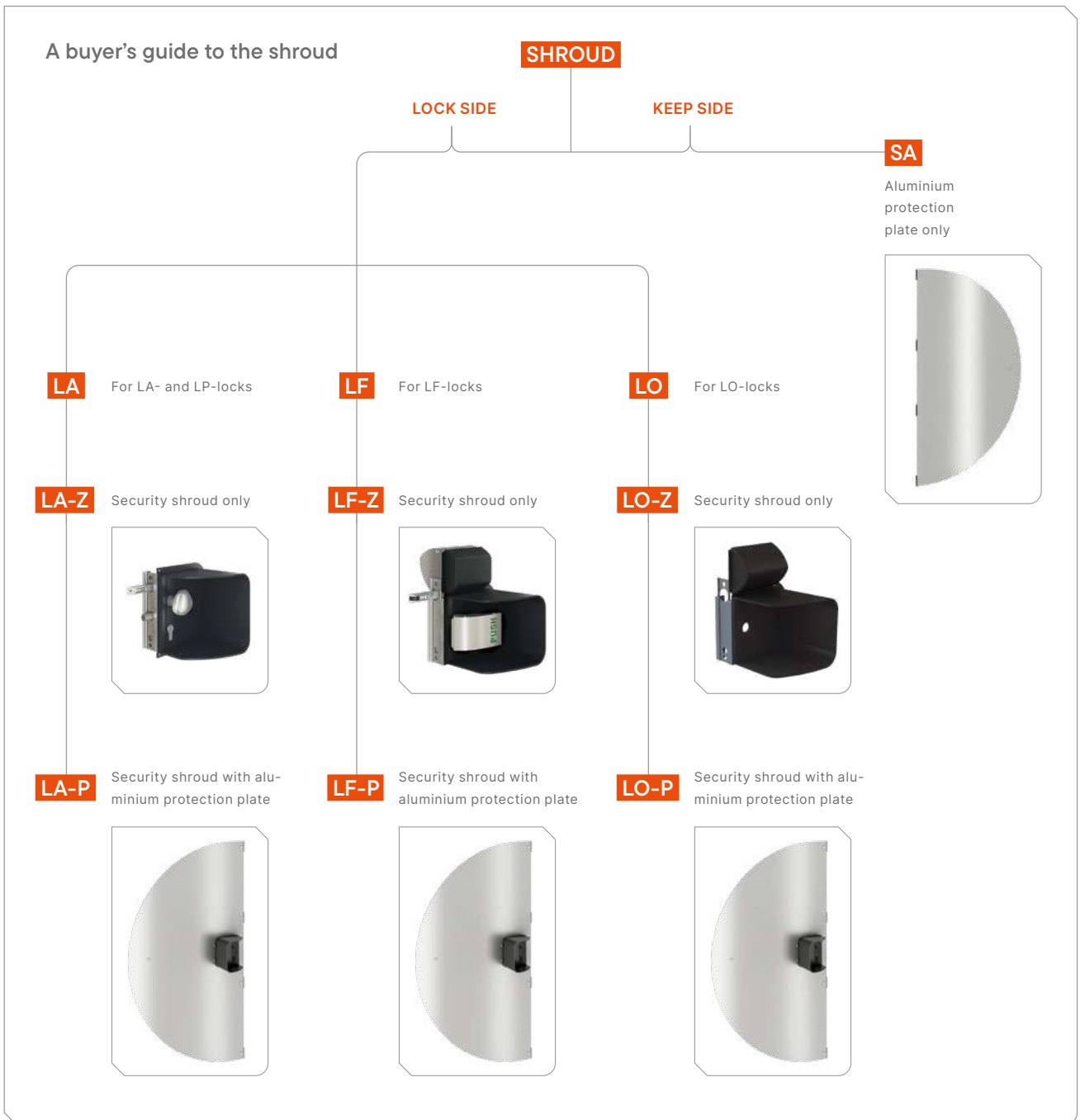




Accessories

Modularity, compatibility and flexibility within our product range give you an endless amount of solutions. Build your own product to fit your production processes and product range. Locinox makes sure your orders are handled quickly and correctly.

A buyer's guide to the shroud



SHROUD-SA

Protection plate to avoid access to the handle from the outside

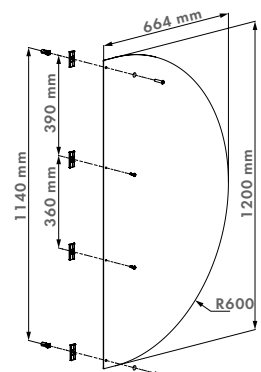
Semi-round aluminium protection plate restricting access from the outside of the gate, on the keep side, to the handles.

SPECIFICATIONS

- Uncoated aluminium shield plate
- Installed on the keep side of the gate
- Perfect shielding on gate and post side when installed together with SHROUD-LA-P / LF-P
- Easy installation and security guaranteed
- For 40, 50 and 60 mm gate profiles

ORDER CODE

SHROUD-SA Protection plate to avoid access to the handle from the outside

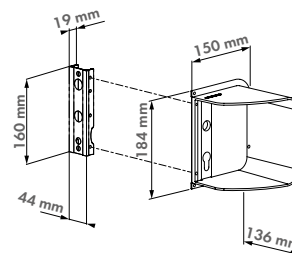




SHROUD-LA

Security shroud for surface mounted locks with free exit configuration

This polyamide shroud restricts access to the handle from outside the gate.



SPECIFICATIONS

- Compatible with free exit type configs of single Europrofile cylinder locks (LP, LA, ...)
- Compatible with 3006R-2, KIDLOC-2, 3006KR and 3006PUSH door handles only
- Easy installation and security guaranteed
- Available with (-P) or without (-Z) untreated aluminium shield plate
- For 40, 50 and 60 mm gate profiles

ORDER CODES

SHROUD-LA-P	Security shroud for surface mounted locks with free exit configuration, with untreated aluminium shield plate
SHROUD-LA-Z	Security shroud for surface mounted locks with free exit configuration, without untreated aluminium shield plate

COMPATIBLE HANDLES



3006R-2
P. 188

3006KR
P. 184

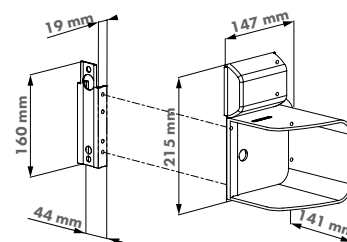
3006PUSH
P. 186



SHROUD-LF

Security shroud for free exit mechanical code lock

This polyamide shroud restricts access to the handle from outside the gate.



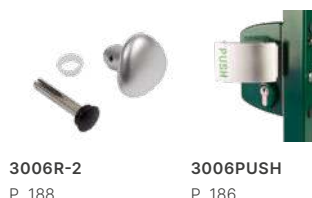
SPECIFICATIONS

- Shroud made out of polyamide with black matte finish
- Compatible with Free Vinci mechanical code lock
- Compatible with 3006C-2, 3006R-2 and PUSH door handles only
- Easy installation and security guaranteed
- Available with (-P) or without (-Z) untreated aluminium shield plate
- For 40, 50 and 60 mm gate profiles

ORDER CODES

SHROUD-LF-P	Security shroud for free exit mechanical code lock, with untreated aluminium shield plate
SHROUD-LF-Z	Security shroud for free exit mechanical code lock, without untreated aluminium shield plate

COMPATIBLE HANDLES



3006R-2
P. 188

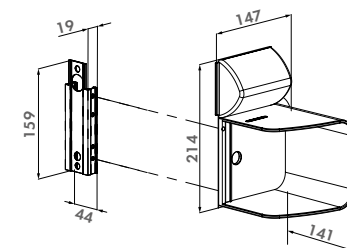
3006PUSH
P. 186



SHROUD-LO (Patented)

Security shroud for free exit code lock

This polyamide shroud restricts access to the handle from outside the gate. Compatible with the free exit handle of our mechanical (Free Vinci) and electronic (Valentino) code lock.



SPECIFICATIONS

- Shroud made out of polyamide with black matte finish
- Compatible with electronic (Valentino) code lock
- Compatible with 3006C-2, 3006R-2 and PUSH door handles only
- Easy installation and security guaranteed
- Available with (-P) or without (-Z) untreated aluminium shield plate
- For 40, 50 and 60 mm gate profiles

ORDER CODES

SHROUD-LO-Z	Security shroud for free exit code lock, without untreated aluminium shield plate
-------------	---

COMPATIBLE PRODUCTS



LOKQY2
P. 76

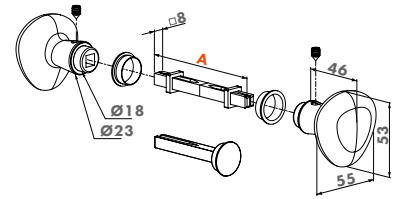
LFKQX1
P. 79



3006KR

Aluminium handle blocking set

Aluminium round knob set. The kit allows following combinations: one side fixed with one side operational, both sides fixed or one side blinded. The set is advised in combination with all aluminium lock boxes when access control is needed and highly recommended with electric strikes.



SPECIFICATIONS

- Highly recommended with Locinox electric keeps

ORDER CODE

3006KR

A

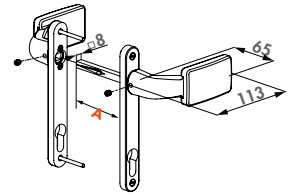
Follower length 90 mm



3006FIX

Aluminium anodized handle pair with fixed and/or rotating operation

Anodized aluminium handle pair and cover shield allowing following combinations: both sides rotating, one side fixed or both sides fixed. The handle pair is compatible with the Fortylock, Fiftylock, Sixtylock and Eightylock insert locks.



COLOR OPTIONS

ALUM

9005

ORDER CODE

3006FIX

A

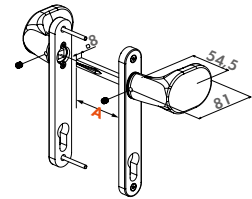
Follower length 120 mm



3006PAD

Handle set with rounded corners in anodised aluminium with fixed and/or rotating functionality

Handle set with rounded corners in anodized aluminium. Following combinations are possible: both sides rotatable, one side rotatable and one side fixed or both sides fixed.



COLOR OPTIONS

ALUM

9005

ORDER CODES

3006PAD

A

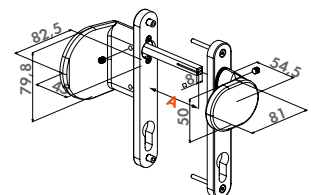
Follower length 120 mm



3006HOLD

Handle set with rounded corners in anodized aluminium with fixed and rotating action

Handle set with rounded corners in anodized aluminium in two possible combinations: One side rotatable and one side fixed or both sides fixed.



COLOR OPTIONS

ALUM

9005

ORDER CODES

3006HOLD-PAD

A

Follower length 120 mm



BAR-A

Fixed anodized aluminium handle

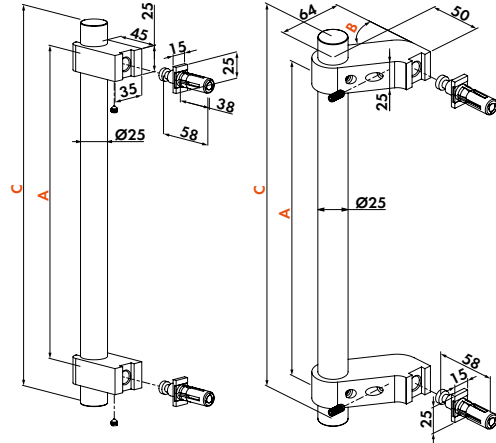
Fixed anodized aluminium handle with straight or angled mounting brackets. Can be used single or double sided.

COLOR OPTIONS

9005

SPECIFICATIONS

- Length: 365 mm
- Fixation Center Distance: 300 mm
- Compatible with 3025-HYB-BLIND
- Anodized aluminium



ORDER CODES

	A	B	C
BAR-A-300-00-365-1	300 mm	0°	365 mm
BAR-A-300-00-365-2	300 mm	0°	365 mm
BAR-A-300-60-365-1	300 mm	60°	365 mm
BAR-A-300-60-365-2	300 mm	60°	365 mm



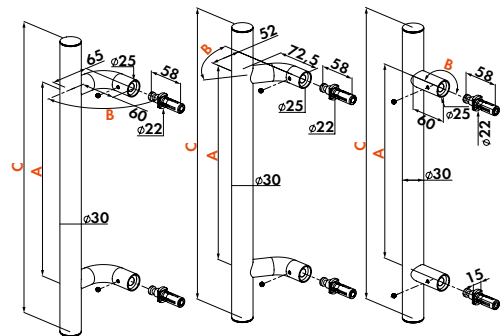
BAR-I

Fixed stainless steel handle

Fixed stainless steel handle with straight or angled mounting brackets. Can be used single or double sided.

SPECIFICATIONS

- Length: 450 mm
- Fixation Center Distance: 300 mm
- Compatible with 3025-HYB-BLIND
- Type 316 Stainless Steel



ORDER CODES

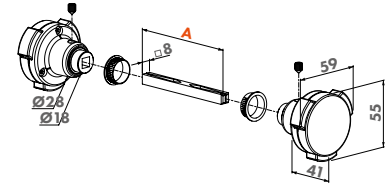
	A	B	C
BAR-I-300-00-450-1	300 mm	0°	450 mm
BAR-I-300-00-450-2	300 mm	0°	450 mm
BAR-I-300-60-450-1	300 mm	60°	450 mm
BAR-I-300-60-450-2	300 mm	60°	450 mm
BAR-I-300-90-450-1	300 mm	90°	450 mm
BAR-I-300-90-450-2	300 mm	90°	450 mm



KIDLOC (Patented)

Childproof security knob

Anodized aluminium and polyamide security knob providing child safety. At least one button must be pressed while turning the knob. Conform to the French standard for child safety at swimming pools NF P90-306.



SPECIFICATIONS

- For all locks with a 8 mm follower
- Anodized aluminium and polyamide
- Security knob for swimming pools, playgrounds, kennels,...
- Conform with the swimming pool safety standard NF P90-306

ORDER CODE

KIDLOC

A

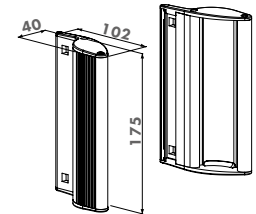
Follower length 90 mm



3006PULL

Handle set 3006PULL

Aluminium powder coated handle set with elegant design. This handle set can be used in combination with our MAGMAG locks (e.g. if used top/bottom).



COLOR OPTIONS

SILV

9005

ORDER CODE

3006PULL

Fixation bolts not included

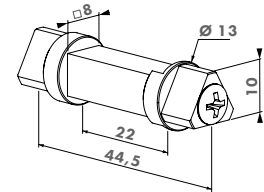


3006T11

Triangular spindle

SPECIFICATIONS

- Spindle in a triangular form of 11 mm to be used with triangle key
- Possible to insert in the handle opening of any LA lock



ORDER CODES

3006T11

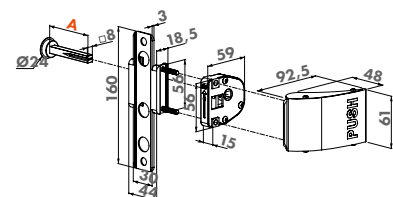
11 mm triangular spindle



3006PUSH

Push handle set in aluminium

Push handle set for easy opening of the gate by a simple push. The 3006PUSH replaces the standard handle, can be quickly installed on new or existing locks and operates the daybolt. One side blinded.



SPECIFICATIONS

- Compatible with all locks with a U-lock box and all surface mounted code locks for swing gates
- The 3006PUSH replaces the handles
- Facilitates opening the gate

ORDER CODE

3006PUSH

A

Follower length 60,5 mm



PUSHBAR-L

Push bar in aluminium for surface mounted gate locks

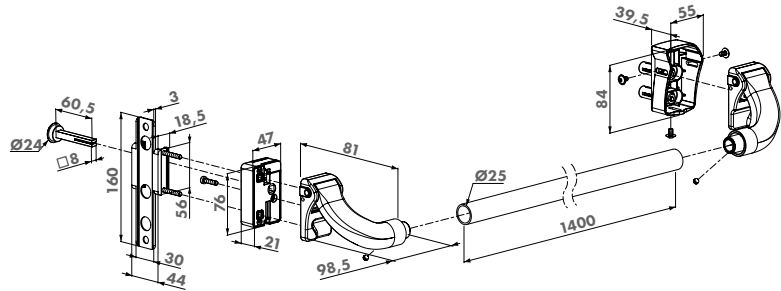
Push bar for an easy opening of a gate by a simple push. The aluminium PUSHBAR replaces the standard handle, operates the daybolt and can quickly be installed on new or existing Locinox surface mounted gate locks (LA, LP and LF chassis). The PUSHBAR is available in a long version (1400 mm). The push bar can however be perfectly shortened to fit any gate.

COLOR OPTIONS

9005

SPECIFICATIONS

- Black powder coated aluminium push bar with stainless steel mechanism
- For left and right turning gates
- Easy to install on the gate with Quick-Fix
- Blinded 8 mm follower included
- Possible to combine with half handle sets with 8 mm follower



COMPATIBLE LOCKS



LAKQU2
P. 71

LPKQU2
P. 75

LFKQX1
P. 79

ORDER CODE

PUSHBAR-L-1400 Aluminium push bar for surface mounted locks - Length 1400 mm



PUSHBAR-H

Aluminium push bar for insert locks

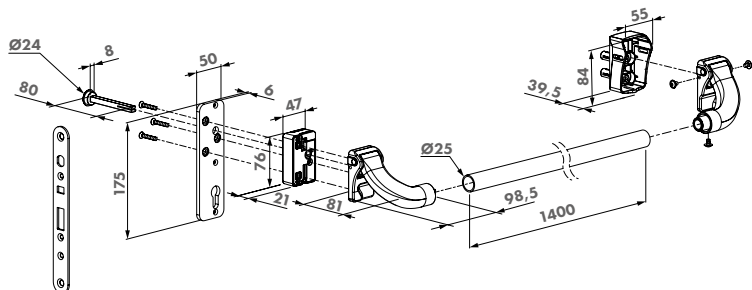
Push bar for an easy opening and a free exit of a gate by a simple push. The aluminium PUSHBAR replaces the standard handle, operates the daybolt and can quickly be installed on new or existing Locinox hybrid insert locks. The PUSHBAR is available in a long version (1400 mm). The push bar can however be perfectly shortened to fit any gate.

COLOR OPTIONS

9005

SPECIFICATIONS

- Black powder coated aluminium push bar with stainless steel mechanism
- Only compatible with H-Metal, H-Wood and Sixtylock
- Easy & fast mounting: Quick-Fix
- For left and right turning gates
- Blinded 8 mm follower included
- Possible to combine with half handle sets with 8 mm follower



COMPATIBLE LOCKS



H-METAL
P. 103

H-WOOD
P. 107

SIXTYLOCK
P. 96

ORDER CODE

PUSHBAR-H-1400 Aluminium push bar for insert locks - Length 1400mm



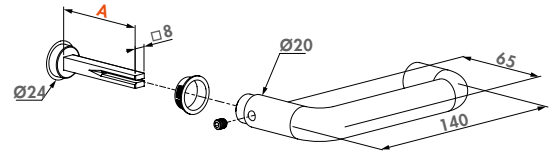
3006A-2

Half anodized aluminium anti-panic handle

Half handle for LPKQ U2 anti-panic gate lock that guarantees a safe and quick exit.

SPECIFICATIONS

- Square 8 mm follower
- Handle made of anodized aluminium
- EN 179 certified for use with the LPKQ U2 anti-panic gate lock



ORDER CODE

3006A-2

A

Follower length 60 mm



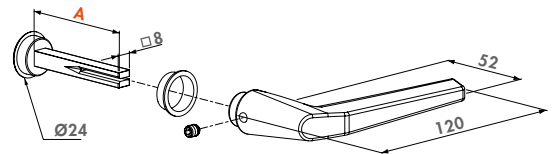
3006M-2

Half aluminium handle

Half aluminium handle - one side blinded.

SPECIFICATIONS

- Square 8 mm follower
- Half handle made of aluminium



ORDER CODE

3006M-2

A

Follower length 60 mm



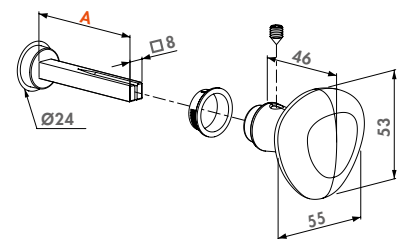
3006R-2

Half aluminium round handle

Half aluminium round handle. One side blinded.

SPECIFICATIONS

- Square 8 mm follower
- Round knob in aluminium



ORDER CODE

3006R-2

A

Follower length 60 mm



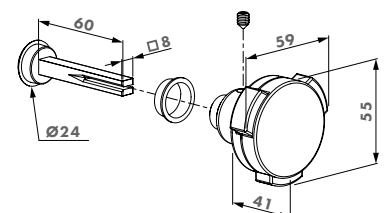
KIDLOC-2

Childproof security knob half handle

Anodized aluminium and polyamide security knob providing child safety. At least one button must be pressed while turning the knob. Conform to the French standard for child safety at swimming pools NF P90-306.

SPECIFICATIONS

- Polyamide and aluminium



ORDER CODE

KIDLOC-2

A

Follower length 60 mm



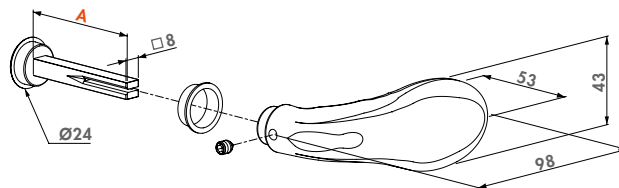
NEW **3006C-2**

Half aluminium club handle

Half aluminium club handle - one side blinded.

SPECIFICATIONS

- Square 8 mm follower
- Half handle made of aluminium



ORDER CODE

3006C-2

A

Follower length 60 mm



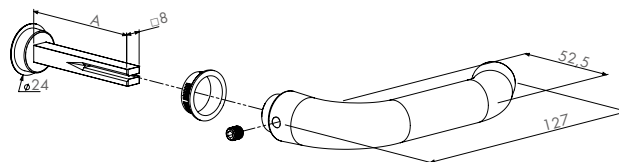
NEW **3006D-2**

Half aluminium handle

Half aluminium handle - one side blinded.

SPECIFICATIONS

- Square 8 mm follower
- Handle pair made of anodized aluminium



ORDER CODES

3006D-2

A

Follower length 60 mm



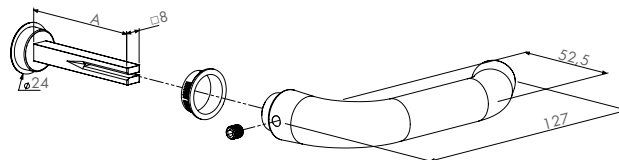
NEW **3006B-2**

Black anodized aluminium half handle pair

Black anodized aluminium half handle - one side blinded

SPECIFICATIONS

- Square 8 mm follower



ORDER CODE

3006B-2

A

Follower length 60 mm



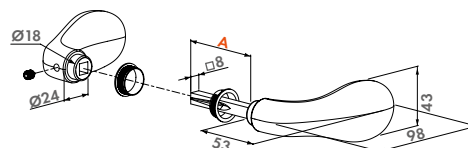
3006C

Handle pair made of anodized aluminium

Aluminium club handle pair.

SPECIFICATIONS

- Square 8 mm follower
- Handle pair made of anodized aluminium



ORDER CODE

3006C

A

Follower length 60 mm



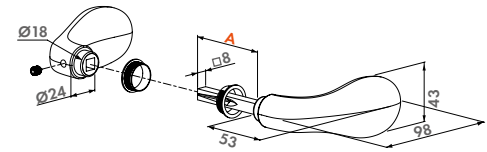
NEW **3006CB**

Handle pair made of black anodized aluminium

Black aluminium club handle pair.

SPECIFICATIONS

- Square 8 mm follower
- Handle pair made of anodized aluminium



ORDER CODE

3006CB

A

Follower length 60 mm



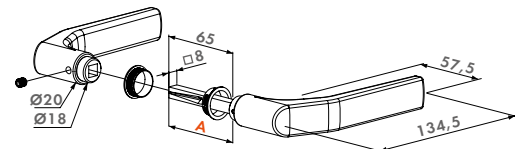
3006J

Anodized aluminium handle pair

Aluminium handle pair

SPECIFICATIONS

- Special design avoids bumping of the hand against the stop plate
- Square 8 mm follower



ORDER CODE

3006J

A

Follower length 65 mm



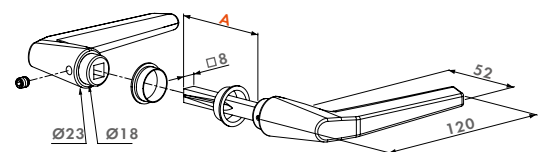
3006M

Handle pair made of anodized aluminium

Aluminium handle pair.

SPECIFICATIONS

- Square 8 mm follower
- Handle pair made of anodized aluminium



ORDER CODE

3006M

A

Follower length 60 mm



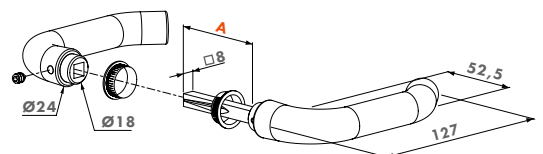
3006B

Black anodized aluminium handle pair

Black anodized aluminium handle pair

SPECIFICATIONS

- Square 8 mm follower



ORDER CODE

3006B

A

Follower length 60 mm



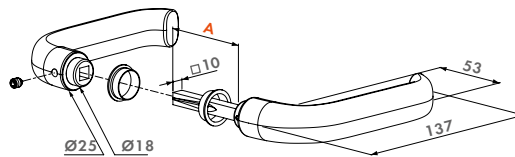
3006S

Reinforced aluminium handle pair

Handle pair, ideally combined with sliding gate locks.

SPECIFICATIONS

- Square 10 mm follower
- Only applicable on LSKZ sliding gate lock



ORDER CODE

3006S

A

Follower length 60 mm



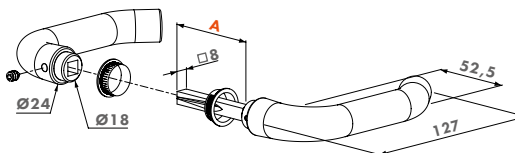
3006D

Aluminium handle pair

Aluminium handle pair.

SPECIFICATIONS

- Square 8 mm follower
- Handle pair made of anodized aluminium



ORDER CODE

3006D

A

Follower length 60 mm



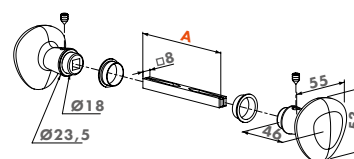
3006R

Aluminium round knobs

Aluminium round handle pair.

SPECIFICATIONS

- Square 8 mm follower
- Round knobs in aluminium



ORDER CODE

3006R

A

Follower length 90 mm



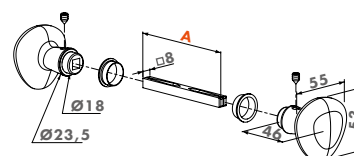
NEW 3006RB

Black aluminium round knobs

Black aluminium round handle pair.

SPECIFICATIONS

- Square 8 mm follower
- Round knobs in aluminium



ORDER CODE

3006RB

A

Follower length 90 mm



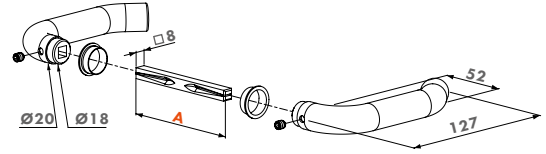
3006I

Handle pair in stainless steel

Stainless steel handle pair.

SPECIFICATIONS

- Square 8 mm follower
- Handle pair made of stainless steel



ORDER CODE

3006I

A

Follower length 90 mm



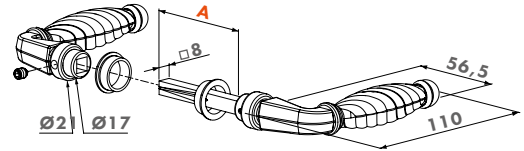
3006FA

Handle pair in zamac

Zamac ornamental handle pair.

SPECIFICATIONS

- Square 8 mm follower
- Handle pair in powder coated zamac



ORDER CODE

3006FA

A

Follower length 65 mm



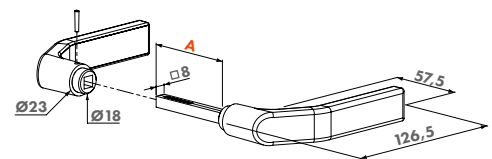
3006G

Handle pair in polyamide

Handle pair in polyamide.

SPECIFICATIONS

- Special design avoids bumping of the hand against the stop plate



ORDER CODE

3006G

A

Follower length 66,5 mm



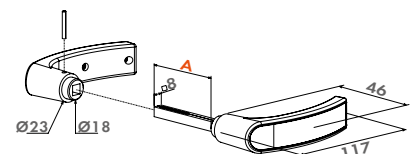
3006P

Handle pair in polyamide

Polyamide handle pair.

SPECIFICATIONS

- Square 8 mm follower
- Applicable with garden gate locks



ORDER CODE

3006P

A

Follower length 54 mm



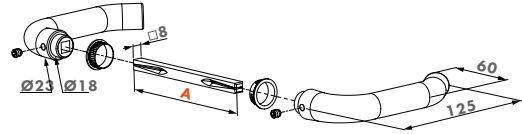
3006B-H

Black anodized aluminium handle pair for insert locks

Black anodized aluminium handle pair with 120 mm long spindle for insert locks

SPECIFICATIONS

- Square 8 mm follower



ORDER CODE

3006B-H

A

Follower length 120 mm



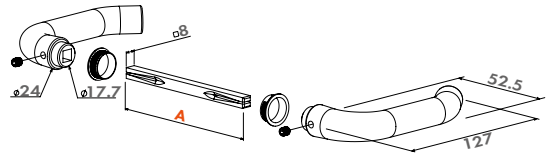
3006D-H

Anodized aluminium handle pair for insert locks

Handle set in anodized aluminium with 120 mm crank pin for use with insert locks

SPECIFICATIONS

- Square 8 mm follower



ORDER CODE

3006D-H

A

Follower length 120 mm



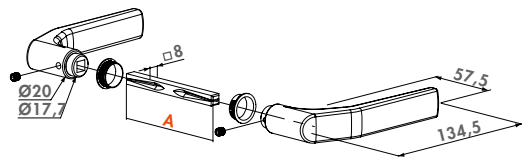
3006J-H

Handle pair in aluminium for insert locks

Handle pair in aluminium with square 120 mm spindle for insert locks.

SPECIFICATIONS

- Square 8 mm follower
- Special design avoids bumping of the hand against the stop plate



ORDER CODE

3006J-H

A

Follower length 120 mm



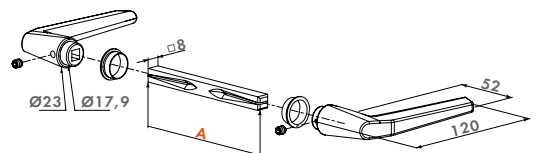
3006M-H

Handle pair in aluminium for insert locks

Aluminium handle pair with 120 mm long spindle for use with insert locks

SPECIFICATIONS

- Square 8 mm follower
- Handle pair made of anodized aluminium



ORDER CODE

3006M-H

A

Follower length 120 mm



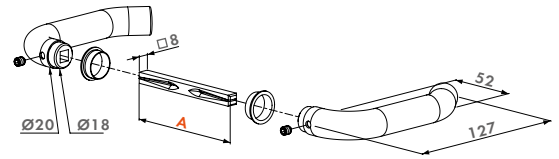
3006I-H

Handle pair in stainless steel for insert locks

Handle pair in stainless steel with square 120 mm spindle for insert locks.

SPECIFICATIONS

- Square 8 mm follower
- Handle pair made of stainless steel



ORDER CODE

3006I-H

A

Follower length 120 mm



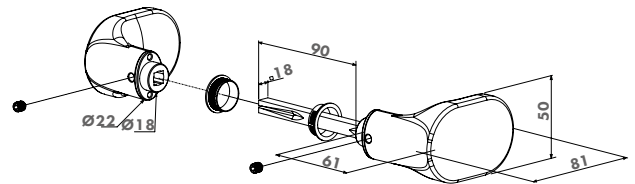
NEW 3006PAD-H

Handle set with rounded corners in anodised aluminium

Handle set with rounded corners in anodized aluminum.

SPECIFICATIONS

- Square 8 mm follower
- Available in two colours: RAL 9005 & SILV



ORDER CODES

3006PAD-H

A

Follower length 120 mm





SHIELD

Anti-theft protection plate for Locinox keeps

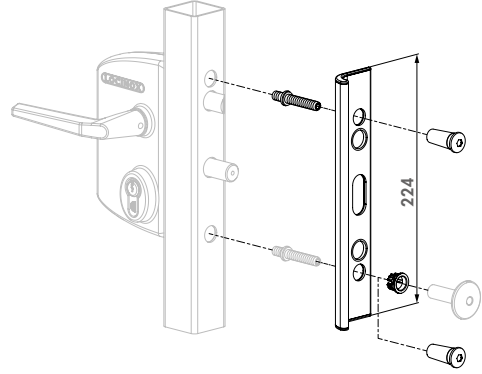
Vandal-proof protection plate in aluminium. This plate protects the day bolt and the nightbolt. Compatible with Locinox keeps (type SA, SH and Modulec).

COLOR OPTIONS

ALUM 9005 7016 6005

SPECIFICATIONS

- Vandal-proof protection plate
- Aluminium powder coated
- Provided with plastic sliding sleeves for a perfect pen guidance. Very convenient in combination with gate closers
- Shield can easily be mounted on the surface mounted lock and is available for 40-60 mm gate frames



COMPATIBLE KEEPS



MODULEC-SA
P. 112



MODULEC-SH
P. 112



SAKLQF
P. 113

ORDER CODE

SHIELD

Anti-theft protection plate for standard SA/SH and Modulec-SA/SH keeps



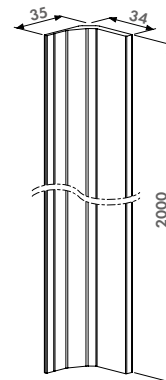
SHIELDLINE

Aesthetic closure of the opening between gate wings

2-meter profile of extruded aluminium that fills the space between the two gate wings for increased privacy. Works in conjunction with the SFKU and can also be applied to the hinge sides.

SPECIFICATIONS

- Extruded aluminium
- 2 metres long
- Compatible with SFKU: connection parts delivered in SFKU packaging
- Available in ALUM, RAL7016 and RAL9005



COMPATIBLE KEEP



SFKU
P. 122



SFKU-V
P. 127



UNILEC
P. 123

ORDER CODE

SHIELDLINE-SFKU-40- Aesthetic closure of the opening between gate wings

LOCK.GUIDE

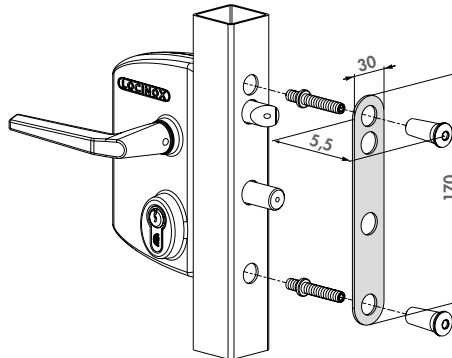


Guide plate for a smooth guidance of the bolts of the surface mounted lock

Stainless steel guide plate for a smooth guidance of the bolts of any surface mounted Locinox lock. Easy installation guaranteed.

SPECIFICATIONS

- 2 mm thick stainless steel guidance plate
- Combinable with all surface mounted gate locks
- Available for 40 mm up to 100 mm gate frames



COMPATIBLE LOCKS



LAKQU2
P. 71

LPKQU2
P. 75

ORDER CODES

LOCK.GUIDE-4060	Guide plate for 40 till 60 mm gate frames
LOCK.GUIDE-80100	Guide plate for 80 till 100 mm gate frames

3018MOD

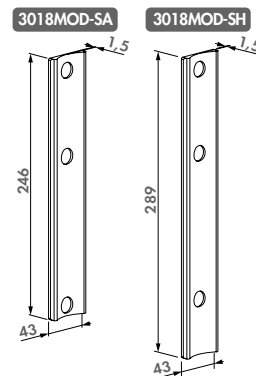
Adaptor plate for Modulec strike



Adaptor plate for square to round posts for Modulec electric strike. The plate is mounted between strike and post. A perfect connection on a Ø60 mm profile is ensured.

SPECIFICATIONS

- Aluminium adaptor plate for Modulec on Ø60 mm profiles
- Black anodized
- Separate versions for SA and SH available
- Is easily installed between strike and post



COMPATIBLE KEEPS



MODULEC-SA
P. 112

MODULEC-SH
P. 112

ORDER CODES

3018MOD-SA	Adaptor plate for square to round posts for Modulec-SA electric strike
3018MOD-SH	Adaptor plate for square to round posts for Modulec-SH electric strike



3019LA

Adaptor plate for LA, LM and LS locks

The adaptor plate is mounted between the lock and gate frame.

SPECIFICATIONS

- Aluminium adaptor plate for LA & LS locks
- Adaptor plate ⇒ Ø34 mm

ORDER CODE

3019LA Adapter plate for round posts Ø34 mm



3018LA

Adaptor plate for SA keeps

The adaptor plate is mounted between the keep and post.

SPECIFICATIONS

- Polyamide adaptor plate for SA keep
- Adaptor plate ⇒ Ø60 mm

ORDER CODE

3018LA Adapter plate for round posts Ø60 mm



6403

Adaptor plate for SH keeps

The adaptor plate is mounted between the keep and post.

SPECIFICATIONS

- Aluminium adaptor plate for SH keeps
- Adaptor plate ⇒ Ø60 mm

ORDER CODE

6403 Adapter plate for round posts Ø60 mm



VENUS-ADAPTERPLATE

VENUS adapter plate for mounting on wall or 60 mm post

Aluminium adapter plate to mount the VENUS on a post 60 mm wide or on a wall. Easy attachment with the QUICK-FIX mounting bolts.

SPECIFICATIONS

- Compatible with any VENUS configuration
- Anodised aluminium profile, available in RAL 9005 & SILV
- Includes 5 QUICK-FIX for mounting the plate to the post and 3 screws for attaching the VENUS to the plate

ORDER CODE

VENUS-ADAPTERPLATE Adapter plate for mounting Venus on wall or 60 mm post

3018LION

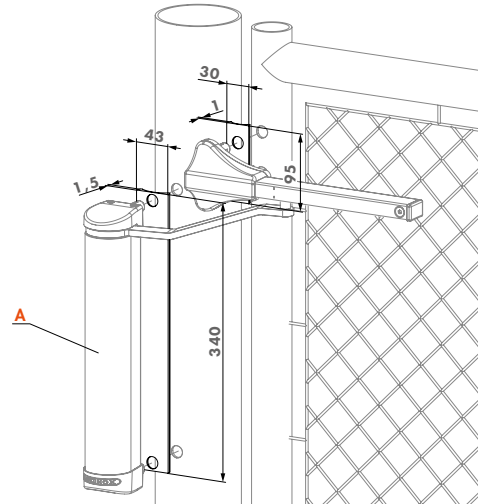
Adaptor plate for Lion gate closer



Black anodized aluminium adaptor plate for square to round posts for Lion gate closer. The plate is mounted between gate closer and post. A perfect connection on a $\varnothing 60$ mm post is ensured.

SPECIFICATIONS

- Aluminium adaptor plate for Lion on $\varnothing 60$ mm round profiles for the fixed post
- Black anodized
- For Lion 180° version, gate frames are as of $\varnothing 34$ mm
- For both 90° and 180° mounting situations
- Is easily installed between gate closer and post



ORDER CODE

3018LION

A
Lion



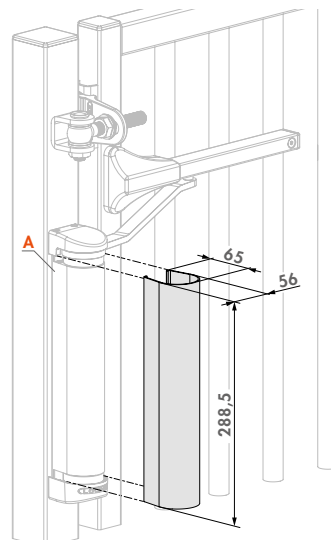
SHELL-LION

Uncoated aluminium shell for Lion gate closer

Match the colour of the Lion gate closer with the gate, or your company colours. The uncoated aluminium shell allows a powder coating in any colour possible. The aluminium shell replaces the anodized shell which comes with the Lion. Aesthetical finish guaranteed, no fixation bolts are visible after mounting.

SPECIFICATIONS

- Shell must be powder coated to avoid corrosion
- Powder coating in any colour possible
- Replaces the shell delivered with Lion



ORDER CODE

SHELL-LION-ALUM

A
Lion



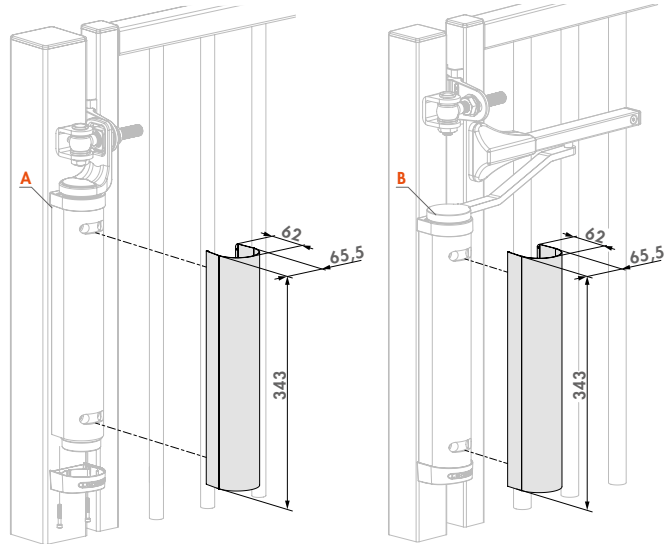
SHELL-RHINO-VTC

Uncoated aluminium cover for the Rhino and Verticlose-2 gate closers

Match the colour of the Rhino and Verticlose-2 gate closers with the gate, or your company colours. The uncoated aluminium shell allows a powder coating in any colour possible. The aluminium shell replaces the anodized shell which comes with the Lion or Verticlose-2. Aesthetical finish guaranteed, no fixation bolts are visible after mounting.

SPECIFICATIONS

- Shell must be powder coated to avoid corrosion
- Powder coating in any colour possible
- Replaces the shell delivered with Rhino and Verticlose 2



ORDER CODE

SHELL-RHINO-VTC-ALUM

A	B
Rhino	Verticlose-2





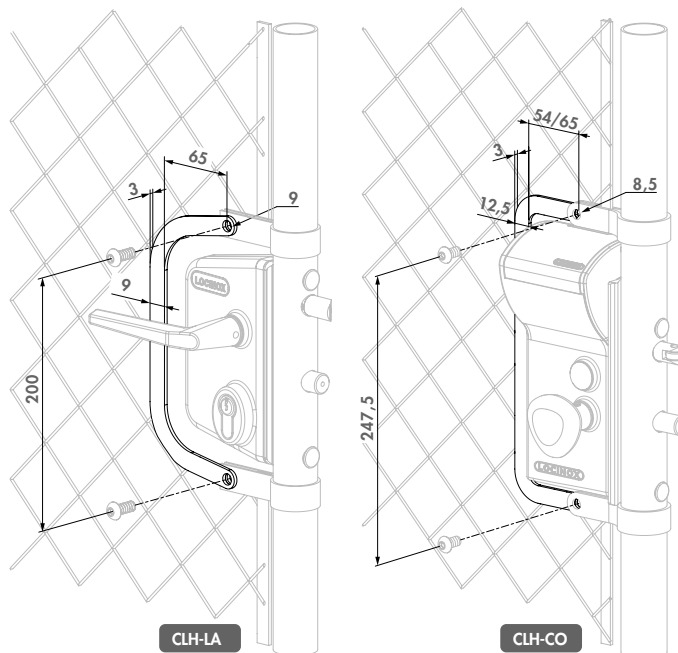
CLH

Chain link tension bar adapter

This tension bar adaptor fits around our industrial, electrical, garden and sliding gate locks to give an aesthetic, finished look to chain link gates. There is a separate chain link tension bar adapter available for the mechanical code locks.

SPECIFICATIONS

- Hot-dip galvanized steel
- Install with 2 tension bands (not included)
- Ties in with the tension bar for a finished look



ORDER CODES

CLH-LA
CLH-CO

Chain link tension bar adaptor for standard gate locks
Chain link tension bar adaptor for mechanical code locks



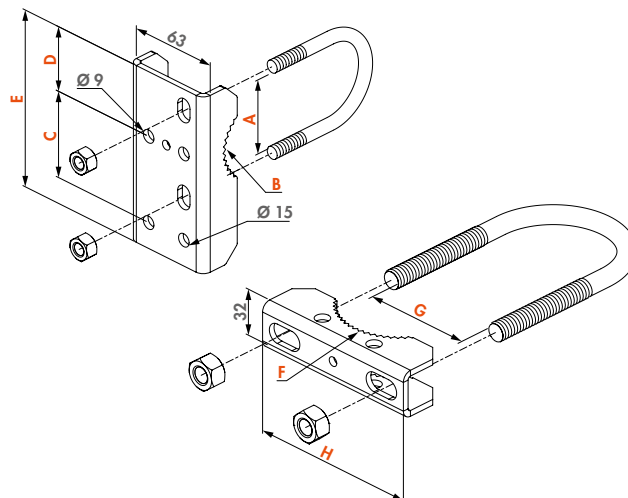
SB

Galvanized bracket to mount Samson-2 to chain link fence (USA only)

The chain link mounting bracket allows the Samson gate closer to easily adapt to gates with round profiles and round hinge posts. Brackets are made of galvanized steel with U-bolts and stainless SD&T screws to lock the brackets into position. Available to fit 3" or 4" round posts and 1-5/8" or 1-7/8" gate frames.

SPECIFICATIONS

- Compatible with Samson-2
- Galvanized steel mounting brackets for round frames



ORDER CODES

SB-3015
SB-3020
SB-4015
SB-4020

A	B	C	D	E	F	G	H
41,2	41,2	56	40	114	76,2	76,2	120
47,6	47,6	60	45	123	76,2	76,2	120
41,2	41,2	56	40	114	100	100	150
47,6	47,6	60	45	123	100	100	150

CLB-TIGER

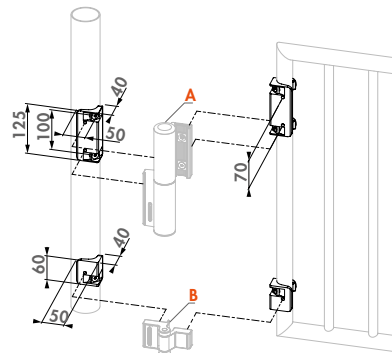
Chain link bracket for Tiger gate closer



High quality aluminium bracket for installation of Tiger gate closer on round chain link fences. The brackets are installed between gate closer and post. A perfect, firm and easy installation is guaranteed thanks to the drilling jig. The brackets for the Puma hinge are included.

SPECIFICATIONS

- Aluminium anodized assembly brackets for Tiger on chain link fences
- Diameter post: 48 to 76 mm
- Diameter gate profile: 35 to 48 mm
- All fixations included
- Drilling jig included for easy installation
- Gap from 16 to 33 mm



ORDER CODE

CLB-TIGER

A **B**

Tiger Puma



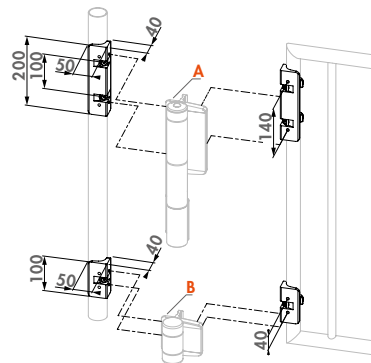
CLB-MAMMOTH

Chain link bracket for Mammoth gate closer

High quality aluminium bracket for installation of Mammoth gate closer on round chain link fences. The brackets are installed between gate closer and post. A perfect, firm and easy installation is guaranteed thanks to the drilling jig. The brackets for the Dino hinge are included.

SPECIFICATIONS

- Aluminium anodized assembly brackets for Mammoth on chain link fences
- Diameter post: 48 to 102 mm
- Diameter gate profile: 35 to 48 mm
- All fixations included
- Drilling jig included for easy installation
- Gap from 30 to 53 mm



ORDER CODE

CLB-MAMMOTH

A **B**

Mammoth-180 Dino



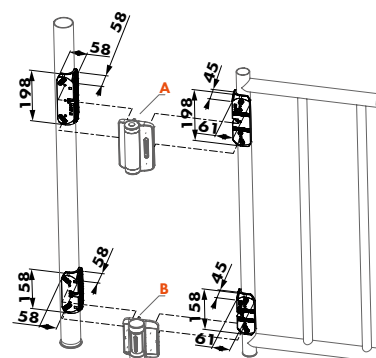
CLB-CARACAL

Chain link bracket for Caracal gate closer

High quality engineered plastic bracket for installation of the Caracal gate closer on round chain link fences. The brackets are installed between the gate closer and the post. A perfect, firm and easy installation is guaranteed. The brackets for the Serval hinge are included.

SPECIFICATIONS

- Engineered plastic brackets for Caracal on chain link fences
- Includes brackets for Serval hinge
- Diameter post: 48 to 76 mm
- Diameter gate profile: 35 to 48 mm
- All fixations included
- Gap from 30 to 50 mm



ORDER CODE

CLB-CARACAL

A **B**

Caracal Serval

VENUS-RAIL

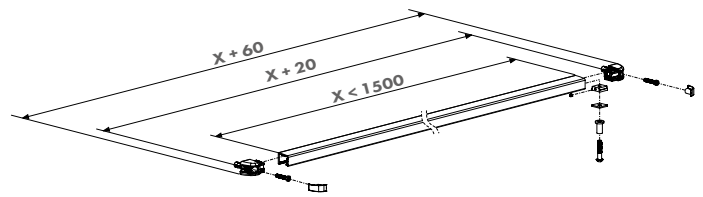
Accessory for VENUS-S and VENUS-A in combination with 180° hinges



The VENUS-RAIL, made of anodised aluminium, facilitates the installation of VENUS-A and VENUS-S on gates with 180° hinges or gates without an upper frame. Cut the RAIL to size and attach easily with QUICK-FIX mounting bolts.

SPECIFICATIONS

- Compatible with VENUS-S & VENUS-A
- Anodised aluminium profile with polyamid end caps
- Length: 1500 mm
- Available in two colours: RAL 9005 & SILV



ORDER CODE

VENUS-RAIL

Compatible with

Panther Lion Verticlose-2

RAIL-FIT

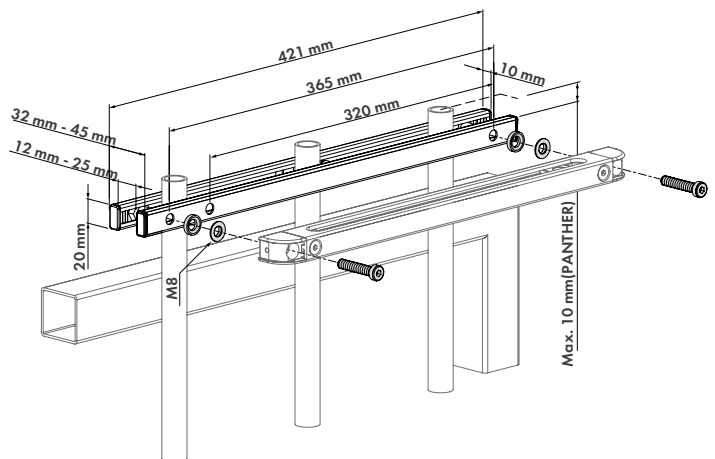
Stainless steel accessory for gate closer installation on barred fencing



Stainless steel accessory for installation of the gate closer rails on alternative fencing. The accessory can be clamped onto any bar to mount the rail of the Panther, Lion or Verticlose-2(-WALL) gate closer.

SPECIFICATIONS

- Stainless steel with polyamide finish
- Compatible with Panther, Lion and Verticlose-2 gate closers



ORDER CODE

RAIL-FIT

Compatible with

Panther Lion Verticlose-2



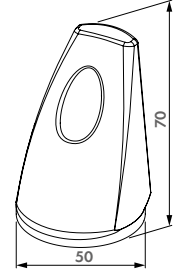
NOSTEP

Anti climb device to be mounted on top of the Serval spring hinge

The NoStep is installed on top of the Serval spring hinge and avoids children to use Serval as a step to climb over the gate. Made out of Fiberglass reinforced PA, the NoStep matches perfectly with the Serval. Easy installation guaranteed.

SPECIFICATIONS

- Made out of Fiberglass reinforced PA
- To be mounted on top of the Serval spring hinge



ORDER CODE

NOSTEP

Compatible with

Serval



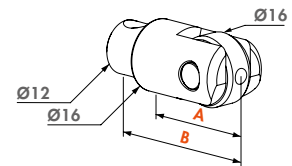
ROLLTOP

Adjustable rollerbolt

Stainless steel rollerbolt for swing gate locks. The standard chamfered self-latching top can be replaced with the rollerbolt. This ensures a smooth closing of the lock into the keep. The rollerbolt has a bolt adjustment-hole for finetuning your Locinox lock.

SPECIFICATIONS

- Adjustable rollerbolt in stainless steel
- Facilitates closing the gate
- Compatible with all surface mounted Locinox gate locks



ORDER CODES

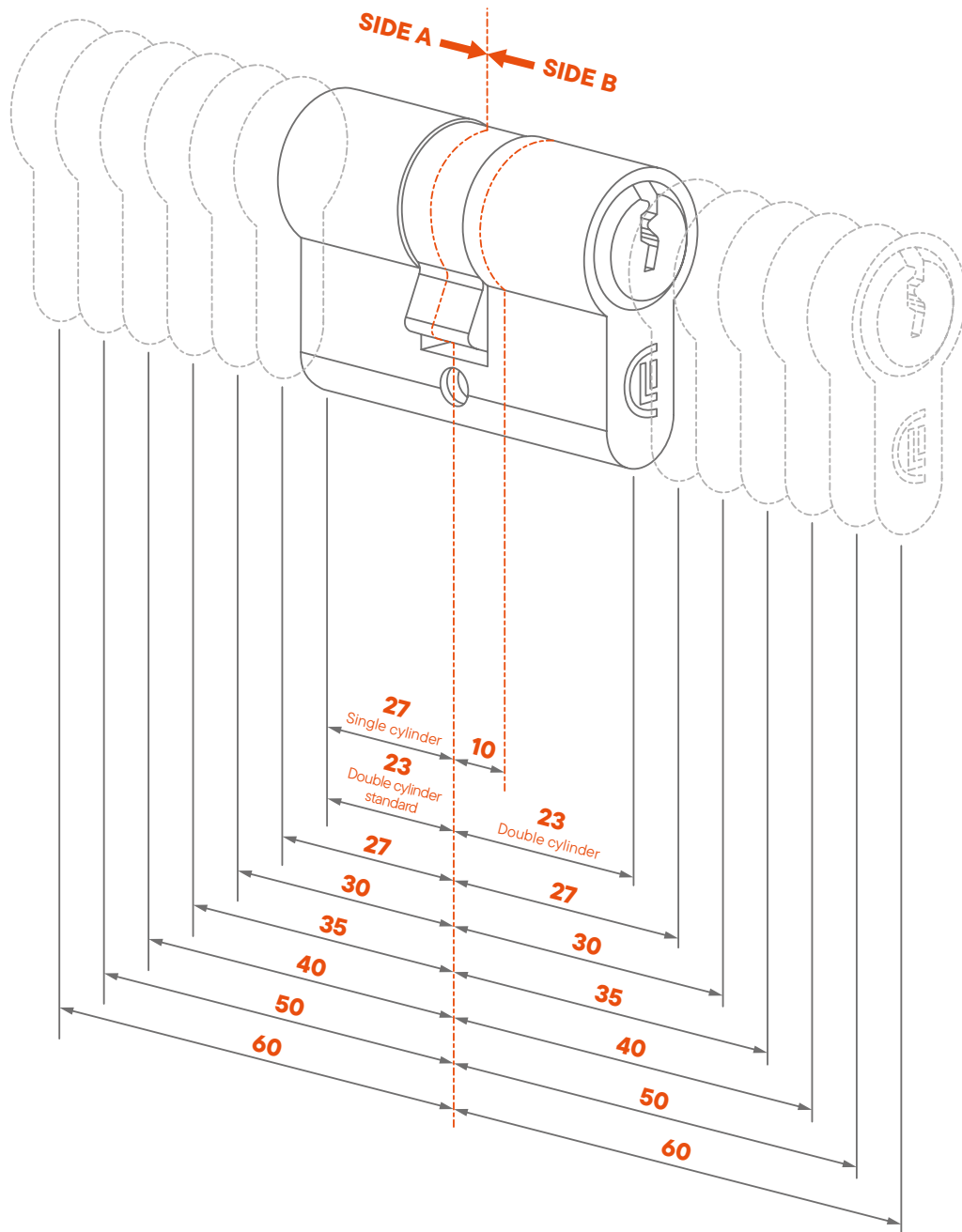
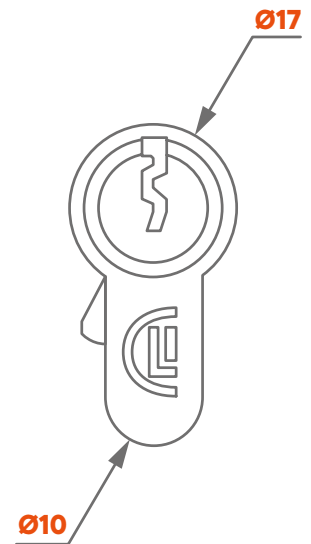
	A	B
ROLLTOP-30	18	28
ROLLTOP-40	26	36
ROLLTOP-60	46	56




How to choose your cylinder

For every specific need, there's a suitable euro profile cylinder. Choose a keyed alike cylinder for the convenience of one key operating multiple locks, or opt for keyed to differ cylinders for enhanced security with unique keys for each lock.

All euro profile cylinders come with 3 keys.





PRODUCT NAME		A	B	KEY CONFIGURATION	TYPICALLY USED IN	TYPE
3012-37-STD-GSZ	37	10	27	Keyed alike Z	Drop bolts	Half cylinder - 1 side key, 1 side blind
3012-40-STD-VEA	40	20	20	Keyed to differ	LAKZP1, Twist40	Symmetrical
3012-46-STD-VCA	46	23	23	Keyed to differ	Free Vinci (LFKQX1), Valentino (LOKQY2L), LAKYF2	Symmetrical
3012-46-STD-GCD	46	23	23	Keyed alike D	Free Vinci (LFKQX1), Valentino (LOKQY2L), LAKYF2	Symmetrical
3012-46-STD-GCC	46	23	23	Keyed alike C	Free Vinci (LFKQX1), Valentino (LOKQY2L), LAKYF2	Symmetrical
3012-46-STD-GCB	46	23	23	Keyed alike B	Free Vinci (LFKQX1), Valentino (LOKQY2L), LAKYF2	Symmetrical
3012-46-STD-GCA	46	23	23	Keyed alike A	Free Vinci (LFKQX1), Valentino (LOKQY2L), LAKYF2	Symmetrical
3012-54-STD-VSZ	54	27	27	Keyed to differ	Vinci (LMKQV2), LAKQU2, LSKZU2, LAKQH2, LDKZD1, LGKZD1, Fortylock	Symmetrical
3012-54-STD-GSZ	54	27	27	Keyed alike Z	Vinci (LMKQV2), LAKQU2, LSKZU2, LAKQH2, LDKZD1, LGKZD1, Fortylock	Symmetrical
3012-54-STD-GSY	54	27	27	Keyed alike Y	Vinci (LMKQV2), LAKQU2, LSKZU2, LAKQH2, LDKZD1, LGKZD1, Fortylock	Symmetrical
3012-54-STD-GSX	54	27	27	Keyed alike X	Vinci (LMKQV2), LAKQU2, LSKZU2, LAKQH2, LDKZD1, LGKZD1, Fortylock	Symmetrical
3012-54-STD-DSA	54	27	27	Dummy	For panic gates - disables deadbolt locking	Symmetrical dummy
3012-60-STD-VSZ	60	30	30	Keyed to differ	Fiftylock	Symmetrical
3012-60-STD-GSZ	60	30	30	Keyed alike Z	Fiftylock	Symmetrical
3012-70-STD-VSZ	70	35	35	Keyed to differ	Sixtylock	Symmetrical
3012-70-STD-GSZ	70	35	35	Keyed alike Z	Sixtylock	Symmetrical
3012-80-STD-VSZ	80	40	40	Keyed to differ	Eightylock	Symmetrical
3012-80-STD-GSZ	80	40	40	Keyed alike Z	Eightylock	Symmetrical
3012-30-50-STD-VSZ	80	30	50	Keyed to differ	Vita, Vera	Assymmetrical
3012-30-50-STD-GSZ	80	30	50	Keyed alike Z	Vita, Vera	Assymmetrical
3012-35-50-STD-VSZ	85	35	50	Keyed to differ	Vita, Vera	Assymmetrical
3012-35-50-STD-GSZ	85	35	50	Keyed alike Z	Vita, Vera	Assymmetrical
3012-35-55-STD-VSZ	90	35	55	Keyed to differ	Vita, Vera	Assymmetrical
3012-35-55-STD-GSZ	90	35	55	Keyed alike Z	Vita, Vera	Assymmetrical
3012-40-55-STD-VSZ	95	40	55	Keyed to differ	Vita, Vera	Assymmetrical
3012-40-55-STD-GSZ	95	40	55	Keyed alike Z	Vita, Vera	Assymmetrical
3012-50-50-STD-VSZ	100	50	50	Keyed to differ	Vita, Vera	Symmetrical
3012-50-50-STD-GSZ	100	50	50	Keyed alike Z	Vita, Vera	Symmetrical
3012-40-60-STD-VSZ	100	40	60	Keyed to differ	Vita, Vera	Assymmetrical
3012-40-60-STD-GSZ	100	40	60	Keyed alike Z	Vita, Vera	Assymmetrical
3012-45-60-STD-VSZ	105	45	60	Keyed to differ	Vita, Vera	Assymmetrical
3012-45-60-STD-GSZ	105	45	60	Keyed alike Z	Vita, Vera	Assymmetrical
3012-55-55-STD-VSZ	110	55	55	Keyed to differ	Vita, Vera	Symmetrical
3012-55-55-STD-GSZ	110	55	55	Keyed alike Z	Vita, Vera	Symmetrical
3012-60-60-STD-VSZ	120	60	60	Keyed to differ	Vita, Vera	Symmetrical
3012-60-60-STD-GSZ	120	60	60	Keyed alike Z	Vita, Vera	Symmetrical



3012-60-KNOB

60 mm knob cylinder

Symmetric Europrofile cylinder with three keys and knob-turn on one side. Used when a free exit is required on one side.

SPECIFICATIONS

- 60 mm Europrofile cylinder with three keys
- One side key / one side knob
- Free entrance on one side

ORDER CODES

3012-60-KNOB-GSZ Symmetric 30 - 30 mm knob cylinder, keyed alike

3012-60-KNOB-VSZ Symmetric 30 - 30 mm knob cylinder, keyed to differ



3012-POC

Triangular cylinder set for triangle keys

Stainless steel symmetric Europrofile cylinder set with which you can equip each Locinox lock with a triangular key access control on cylinder level. Exchangeable with 54 mm or 60 mm cylinders. Available for the 11, 14 or 17 mm triangle key. Applications: waste management, access fire brigade, parking facilities,...

SPECIFICATIONS

- Quick and easy retro-fitting assembly
- Can replace every 54-60 mm symmetric Europrofile cylinder

ORDER CODES

3012-POC-T11 54 mm to 60 mm triangular cylinder for 11 mm triangle key

3012-POC-T14 54 mm to 60 mm triangular cylinder for 14 mm triangle key

3012-POC-T17 Symmetric 54 - 60 mm triangular cylinder, for 17 mm keys



KIK-114

Rekeyable KIK cylinder

Rekeyable Key-In-Knob (KIK) cylinder set with 2 keys, provided as standard in our FortiMa poolatch. Available in keyed alike and keyed to differ.

SPECIFICATIONS

- Schlage C-Keyway
- 5 Pins code (6 pins drilled - rekeyable)
- Satin Nickle Plated

ORDER CODES

KIK-114-GMA Keyed alike

KIK-114-VMZ Keyed to differ



MRT-118

Mortise cylinders set

Set with 2x Mortise cylinders and 4 keys. Fits our new LUKY lock. Cylinders available in keyed alike and keyed to differ.

SPECIFICATIONS

- Length 1"1/8 (28,5 mm)
- Adams Rite cam type 863A
- 5 Pins code (6 pins drilled - rekeyable)

ORDER CODES

MRT-118-GMA Keyed alike

MRT-118-VMZ Keyed to differ



3070-46

Blank key 46 mm

Key blank that allows you to reproduce copies

SPECIFICATIONS

- Blank key for cylinder 46 mm
- For reproducing cylinder keys for 3012-46-STD

ORDER CODE

3070-46 Blank key for reproducing 46 mm cylinders



3070-60

Blank key for cylinders 60 mm

Key blank that allows you to reproduce copies.

SPECIFICATIONS

- Blank key for XX mm cylinders
- For reproducing cylinder keys for 3012-XX-STD

ORDER CODE

3070-60 Blank key for cylinders 60 mm



3071

Triangle key

Compatible with a lock that is equipped with an 11 mm or 14 mm triangle instead of a handle.

SPECIFICATIONS

- Compatible with 3012-POC-T11 / 3012-POC-T14 / 3006T11
- Zinc-plated

ORDER CODES

3071-T11 11 mm triangle key for cylinder 3012-POC-T11

3071-T14 14 mm triangle key for cylinder 3012-POC-T14



SECUNUT

Security nuts

Stainless steel anti-theft nuts for security applications.

SPECIFICATIONS

- Stainless steel security nuts for anti-theft applications
- Available in M6, M8 and M10

ORDER CODES

SECUNUT-M8 Anti-theft nuts M8, Packed per 100 pieces

SECUNUT-M10 Anti-theft nuts M10, Packed per 50 pieces



ACCESSORIES FOR GATES



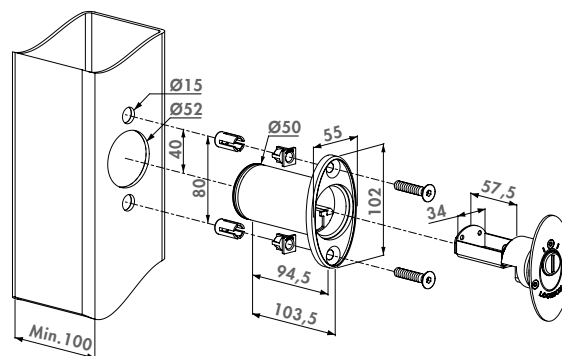
KEYSAFE-QF

Keysafe Quick-Fix

Stainless steel Keysafe. Supplied with Quick-Fix to mount inside metal profiles. Used for a safe storage of your spare gate lock keys.

SPECIFICATIONS

- Keysafe with Europrofile cylinder
- For safe storage of your gate lock keys
- Rust-resisting frontcover
- Stainless steel cylinder cover
- Aluminium housing
- Fast and easy fixing with Quick-Fix



ORDER CODE

KEYSAFE QF

Including 3012-37-STD-GSZ



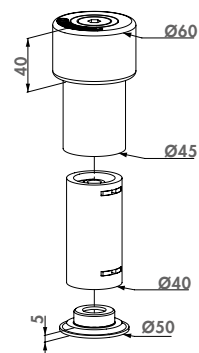
GATESTOP

Gatestop with rubber

Aluminium gatestop. The rubber stop prevents the gate from being damaged. Height adjustability from 100 mm till 140 mm. Can also be used as a wall stop. Including anchor bolt.

SPECIFICATIONS

- Fast and easy fixing
- Height adjustable: min 100 mm till 140 mm
- Aluminium body with rubber stop
- Included anchor bolt M12 for concrete fixing



ORDER CODE

GATESTOP

Including anchor bolt

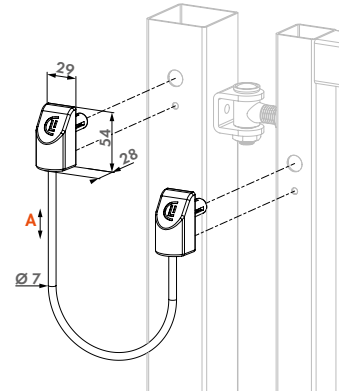


EN 12604

U-SAFE

Stainless steel safety cable for gates up to 500 kg

The U-Safe gate safety cable avoids the gate to fall in case of hinge failure. Thanks to the patented Quick-Fix fixation system, the U-Safe is easily yet firmly fixed into the post.



SPECIFICATIONS

- Stainless steel cable rated at 1500 kg in case of hinge failure
- 300 mm long, 5mm thick with 1 mm thick protective transparent sleeve
- Firmly fixed thanks to patented Quick-Fix system
- In accordance with EN 12604
- For gates up to 500 kg
- Easy installation guaranteed

ORDER CODE

U-SAFE

A

Length 300 mm

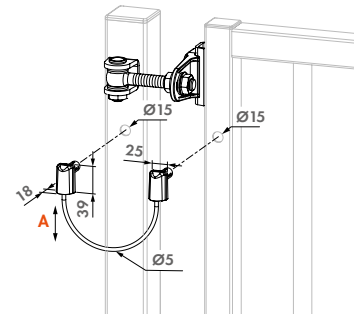


EN 12604

B-SAFE

Stainless steel safety cable for gates up to 500 kg

The B-Safe gate safety cable avoids the gate to fall in case of hinge failure. Thanks to the patented Quick-Fix fixation system, the B-Safe is easily yet firmly fixed into the post. The B-Safe cable is rated up to 1000 kg and prevents gates up to 500 kg from falling in case both hinges might fail. B-Safe has been developed to secure a gate in accordance with EN 12604.



SPECIFICATIONS

- Cable length 220 mm long, 4mm thick with 1 mm thick protective transparent sleeve
- Firmly fixed thanks to patented Quick-Fix system
- In accordance with EN 12604
- For gates up to 500 kg
- Easy installation guaranteed

ORDER CODE

B-SAFE

A

Length 220 mm





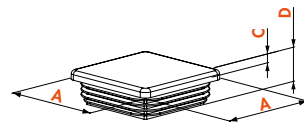
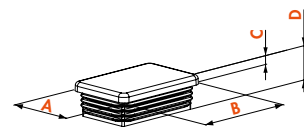
TC

Post plug

Polypropylene post plugs.

SPECIFICATIONS

- Polypropylene post plug for square profiles
- Available in RAL6005 and RAL9005



ORDER CODES

For square profiles	For rectangular profiles	A	B	C	D
TC-4040		40	5	19,4	
TC-5050		50	5	19,4	
TC-6060		60	5	19,4	
	TC-4060	40	60	5	19,4



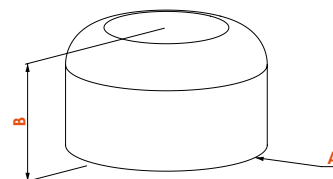
TCR

Post caps

Polypropylene post caps.

SPECIFICATIONS

- Polypropylene post cap for round profiles
- Available in RAL6005 and RAL9005



ORDER CODES

For round profiles	A	B
TCR-42	Ø45	29,5
TCR-48	Ø51	30
TCR-60	Ø63	38



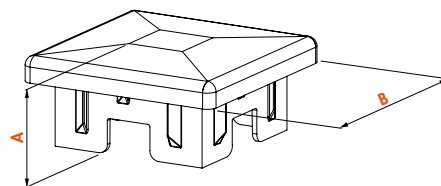
TCO-STD

Square post cap

Polypropylene post cap. Protects the upper borders of the posts.

SPECIFICATIONS

- Polypropylene square post cap for 60×60 mm, 80×80 mm and 100×100 mm
- Protects upper borders of posts



ORDER CODES

For square profiles	A	B
TCO-STD-6060	41	67,5
TCO-STD-8080	41	89
TCO-STD-100100	47	110



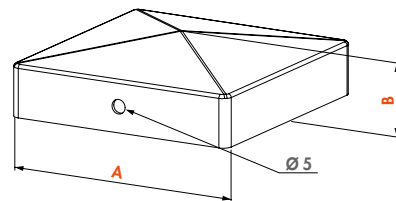
TCO-SCR

Post cap to screw on

Hot-dip galvanized post caps with screw hole. Perfect to protect and finish your posts.
Applications: wood, aluminium or metal.

SPECIFICATIONS

- Hot-dip galvanized post caps to screw on



ORDER CODES

For square profiles	A	B
TCO-SCR-HDG-4040	43	22
TCO-SCR-HDG-5050	53	23
TCO-SCR-HDG-6060	63	24
TCO-SCR-HDG-8080	83	25
TCO-SCR-HDG-100100	103	27
TCO-SCR-HDG-120120	123	29



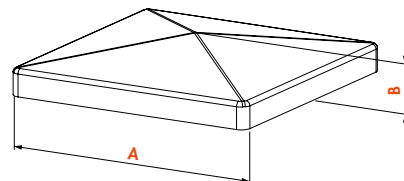
TCO-WLD

Post caps to weld on

Post caps to weld on in black steel or zinc plated. Perfect to protect and finish your posts.
Applications: metal.

SPECIFICATIONS

- Post caps in black steel or zinc plated



ORDER CODES

Black steel post caps	Zinc-plated post caps	A	B
TCO-WLD-B-4040	TCO-WLD-Z-4040	43,5	12
TCO-WLD-B-5050	TCO-WLD-Z-5050	53,5	13
TCO-WLD-B-6060	TCO-WLD-Z-6060	63,5	14
TCO-WLD-B-8080	TCO-WLD-Z-8080	83,5	16
TCO-WLD-B-100100	TCO-WLD-Z-100100	103,5	18
TCO-WLD-B-120120	TCO-WLD-Z-120120	123,5	19,5



PKWB2000

Security strip to weld on

Security strips in black steel to weld on. Packed per 20 pieces of 2 meter.

SPECIFICATIONS

- Black steel for welding
- Fixing: to weld on
- Profile: 33,5 × 3 mm
- Length: 2000 mm
- Packed in tubes per 20 pcs of 2000 mm

ORDER CODES

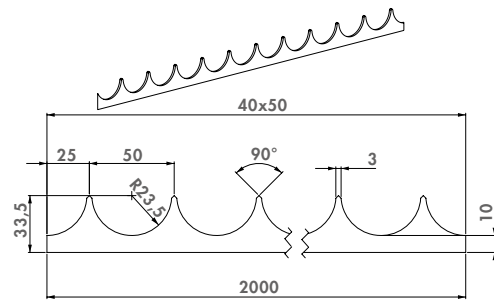
PKWB2000

PKWB2000-20

PKWB2000-100

PKWB2000-500

PKWB2000-1000



Security strips to weld on, packed in 1 tube of 20 pieces

Security strips to weld on, packed in 5 tubes of 20 pieces

Security strips to weld on, packed in 25 tubes of 20 pieces

Security strips to weld on, packed in 50 tubes of 20 pieces



PKSG2000

Security strip to screw on

Hot-dip galvanized L-security strips to screw on. Packed per 10 pieces of 2 meter.

SPECIFICATIONS

- Hot-dip galvanized toothed L-profile
- Fixing: screw on
- Profile: 36,5 × 25 × 3 mm
- Length: 2000 mm
- Easy to retrofit
- Packed in tubes per 10 pcs of 2000 mm

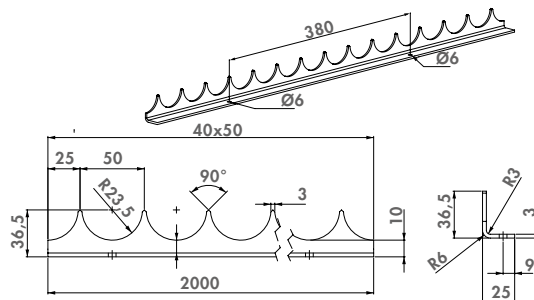
ORDER CODES

PKSG2000

PKSG2000-10

PKSG2000-50

PKSG2000-250



Security strips to screw on, packed in 1 tube of 10 pieces

Security strips to screw on, packed in 5 tubes of 10 pieces

Security strips to screw on, packed in 25 tubes of 10 pieces



PKWB2000-EP

Electrogalvanized security strips to weld on

Electrogalvanized security strips to weld on. Packed per 20 pieces of 2 meter.

SPECIFICATIONS

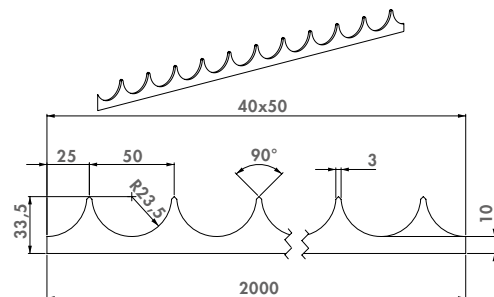
- Fixing: to weld on
- Profile: 33,5×3 mm
- Length: 2000 mm
- Packed in tubes per 20 pcs of 2000 mm

ORDER CODES

PKWB2000-EP

PKWB2000-EP-20

PKWB2000-EP-100



Electrogalvanized security strips to weld on, packed in 1 tube of 20 pieces

Electrogalvanized security strips to weld on, packed in 5 tubes of 20 pieces



TIGER

LA NOUVELLE RÉFÉRENCE POUR CHARNIÈRES HYDRAULIQUES AVEC 4 APRES-DE TÊTES

180°



GAIN DE TEMPS
Installation rapide et facile avec l'acier breveté Quick-Fit.



RÉSISTANCE AUX INTÉMPÉRIES
Finition parfaite en bois stratifié.



VITESSE & A-COUP FINAL
Facile à régler par de Allen.



300 000 CYCLES
Testé de façon intensive, extrêmement solide.



3 YEAR WARRANTY

LOCINOX



Sales support tools

Convince your clients of the Locinox quality. We developed several gate displays and demo cases of our best selling products. Every featured Locinox product is full-scale and functioning just like in real-life.

These handy sales support tools perfectly claim what Locinox is standing for: exceptional quality, good value, extreme durability, user friendly comfort, easy installation, and much more. Let the lightweight gate displays and complete demo cases be your closest ally during sales visits or showcase them in your showroom. They will be an eye catcher and make your sales talks much easier, believe us.

LOCINOX



PS-GATECLOSERS

Gate closer display with 5 different gate closers

Real-scale gate closer gate display with Tiger, Mammoth, Samson-2, Lion and Verticlose-2 gate closers. This display is an excellent sales tool to showcase the quality solutions for your showroom, events and trade fairs.

SPECIFICATIONS

- Includes gate with Tiger gate closer, Fortylock insert lock, VERA code lock, Puma hinge and SFKU-V keep
- Includes gate with Mammoth gate closer, SlimStone keypad, Modulec-SA keep, LAKQ lock and Dino hinge
- Includes gate with Samson-2 gate closer, Valentino (LOKQ) lock, Shield, SHKL keep and BoltonHD-4D hinge
- Includes gate with Lion gate closer, LAKZ lock, SMKL keep and Bolton-HD-4D hinge
- Includes gate with Verticlose-2 gate closer, LDKZ lock, SAKL keep and G90Z hinge

ORDER CODE

PS-GATECLOSERS

Full scale display with 5 gate closers and gate hardware

GATE CLOSERS



MAMMOTH180
P. 20



TIGER
P. 19



LION
P. 24



VERTICLOSE-2
P. 27



SAMSON-2
P. 23

ACCESS CONTROL



SLIMSTONE-2
P. 38



LOKQY2
P. 76



VERA
P. 101



MODULEC-SA
P. 112

GATE HARDWARE



FORTYLOCK
P. 94



LAKQU2
P. 71



LDKZD1
P. 74



LAKZP1
P. 84



PS-LION

Gate display with Lion gate closer, industrial lock and 90° hinge

Aluminium gate display featuring the Lion hydraulic gate closer with a hot-dip galvanized 90° hinge, an industrial lock and a stainless steel keep.

SPECIFICATIONS

- High quality and lightweight aluminium display
- Information panel in 4 languages

ORDER CODE

PS-LION Gate display with Lion gate closer, industrial lock and 90° hinge



PS-TIGER

Gate display with Tiger gate closer and industrial lock

Aluminium gate display featuring the Tiger hydraulic gate closer with the industrial lock and stainless steel keep.

SPECIFICATIONS

- High quality and lightweight aluminium display
- Information panel in 4 languages

ORDER CODE

PS-TIGER Gate display with Tiger gate closer and industrial lock



PS-RHINO

Gate display with Rhino gate closer, industrial lock and BoltonHD-4D hinge

Aluminium gate display featuring the Rhino hydraulic gate closer with the screwable 180° BoltonHD-4D hinge, an industrial lock and a stainless steel keep.

SPECIFICATIONS

- High quality and lightweight aluminium display
- Information panel in 4 languages

ORDER CODE

PS-RHINO Gate display with Rhino gate closer, industrial lock and BoltonHD-4D hinge



RADIO

DAB+ radio with aux jack

Portable rechargeable DAB+ radio. Shock- and waterproof. A nice gadget for your fencing installers.

SPECIFICATIONS

- Shock- and waterproof
- Power: 10 Watt
- AUX-jack
- Rechargeable batteries included

ORDER CODE

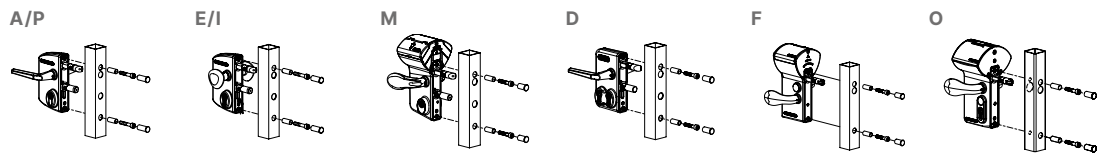
RADIO Portable site radio with rechargeable batteries included

Codebuilder for swing gates LA - LP - LE - LI - LM - LF - LD - LU - LO

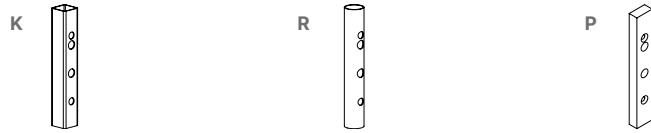
LOCK

L

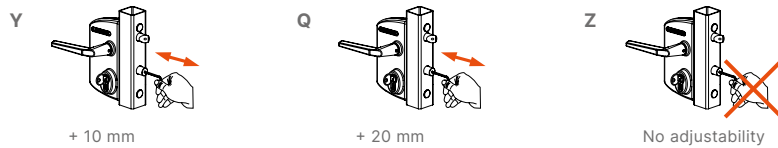
CHASSIS



PROFILE



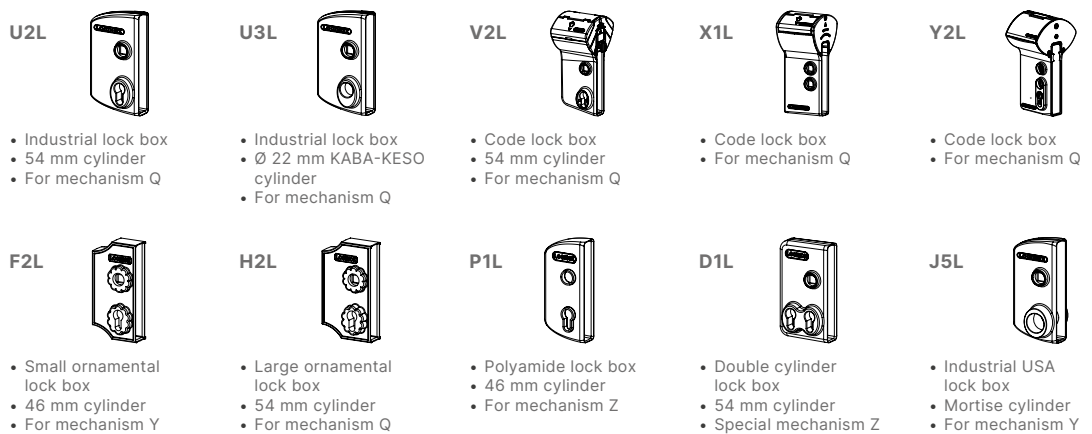
ADJUSTABILITY



DIMENSIONS

- | | | | | | | |
|--------------|-----------|-----------|---------------------------|-----------|-----------|------------|
| 10 | 30 | 40 | 50 | 60 | 80 | 100 |
| • 10 mm | • 30 mm | • 40 mm | • 50 mm | • 60 mm | • 80 mm | • 100 mm |
| • Not for LE | | | • Only for Y, Z-mechanism | | | |

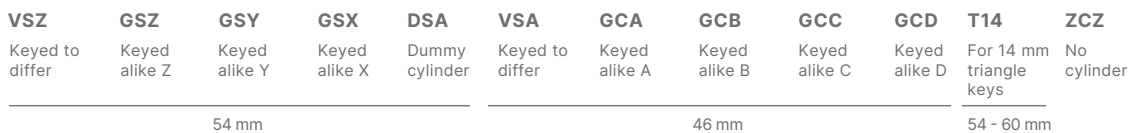
LOCK BOX



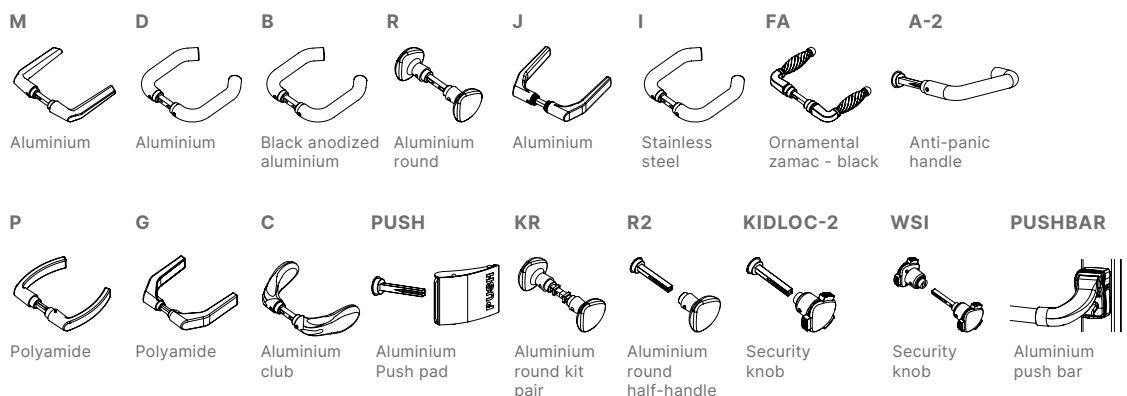
COLOURS



CYLINDERS



HANDLES

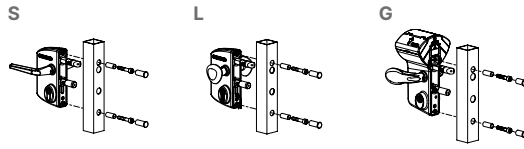


Codebuilder for sliding gates LS - LL - LG

LOCK

L

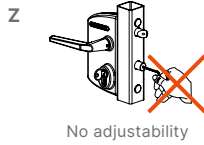
CHASSIS



PROFILE



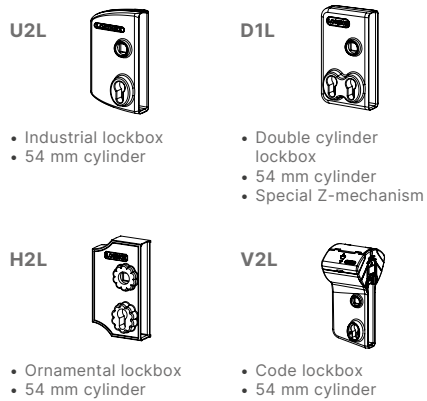
ADJUSTABILITY



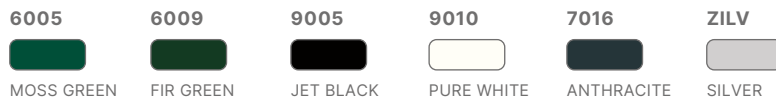
DIMENSIONS

- | | | | | | |
|----------------------|----------------------|----------------------|----------------------|------------------------|------------------------|
| 40
• 40 mm | 50
• 50 mm | 60
• 60 mm | 80
• 80 mm | 100
• 100 mm | 120
• 120 mm |
|----------------------|----------------------|----------------------|----------------------|------------------------|------------------------|

LOCK BOX



COLOURS



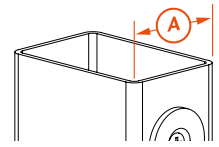
CYLINDERS



HANDLES



Handle compatibility



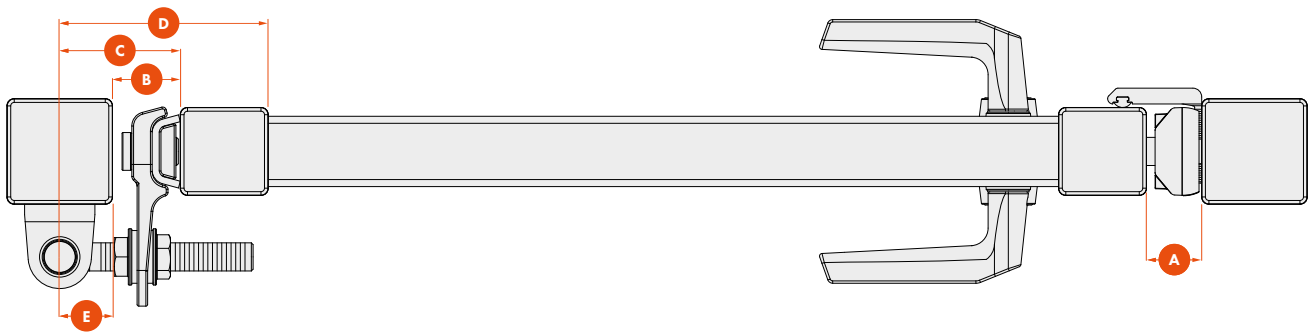
	SURFACE MOUNTED LOCKS	INSERT LOCKS			
		A = 30mm	A = 40mm	A = 50mm	A = 60mm
3006C/CB		•	•		
3006I		•	•	•	
3006D		•	•		
3006B		•	•		
3006A		•	•		
3006M		•	•		
3006J		•	•	•	
3006R/RB		•	•		
300FA		•	•		
3006P		•	•	•	
3006G		•	•	•	
3006B-H				•	•
3006D-H				•	•
3006I-H				•	•
3006M-H				•	•
3006J-H		•	•	•	•
3006R-2		•	•		
KIDLOC-2		•			
KIDLOC		•	•	•	
3006KR		•			
PUSHBAR		•		•	
3006PUSH		•			
3006T11		•			
3006FIX				•	•
3006-PAD				•	•
3006-HOLD				•	•

Minimum distances between gate and post

Perfect work begins with a perfect preparation!

All Locinox products can be adjusted accurately. We recommend however to consider the mounting depth when planning.

Below, you will find a clear overview of the minimum distances between gate and post. This guarantees that all is perfectly aligned.



	B	C	D	E
HINGES	MINIMUM	MAXIMUM	MAXIMUM	MINIMUM
GBMU4D12	22	80	-	20
GBMU4D16	35	115	-	25
GBMU4D20	36	130	-	25
EXCENTRO	35	-	-	30
BOLTONHD-4D-12	8	70	-	28
BOLTONHD-4D-16	8	88	-	28
GBMU-X-M12	6	77	-	20
GBMU-X-M16	8	95	-	25
GBMU-X-M18	8	88	-	25
GBMU-X-M20	12	112	-	25
GBMU-X-M22	12	112	-	30
G90Z-X-M16	48	30	-	18
G90Z-X-M20	53	28	-	23
DINO	13	43	-	23
PUMA	10	21,5	-	-
NOSEHINGE-I	25	-	101	51
BEARING HINGE 40X40	25	25	-	60
BEARING HINGE 50X50	20	20	-	55
3DM	16	76	-	10,5
4DW	0	25	-	21
3DW	0	25	-	10,5
GBM12-30-130	15	-	120	20
GBM12-30-150	10	-	120	20
GBM12-40-130	15	-	140	20
GBM12-40-150	10	-	140	20
GBM16-40-160	17	-	148	25
GBM16-40-180	17	-	168	25
GAM12-130	46	-	120	20
GAM12-150	46	-	140	20

	A
KEEPS	MINIMUM
SAKL	30
SH KL	30
SMKL	30
SKRZ	27
SE & SEH	26
SPKZ	8
SSKZ	21
STKQF	27
SF-	13
MODULEC-SA	30
MODULEC-SH	30

	A
KEEPS	MINIMUM
SHKC	6
SFKM	13
SFKI	13
SHKM	15
SHKW	15
SFKP	30
SFKB	30
SFKO	30
SFKU	12
MODULEC-SF	30
INTRALEC	7
UNILEC	2

	B	C	D	E
HINGES	MINIMUM	MAXIMUM	MAXIMUM	MINIMUM
SWING40-130	10	-	120	20
SWING40-150	10	-	140	20
G-ORNA-LR-B-M20	35	63	-	41,5
G-ORNA-LR-B-M24	35	70	-	44
G-ORNA-LR-B-M27	32,5	88	-	46,5
G90LR-X-M16-65	53	60,5	-	18
G90LR-X-M16-110	53	105,5	-	18
G90LR-X-M16-150	53	145,5	-	18
G90LR-X-M20-67	58	60,5	-	22
G90LR-X-M20-150	58	143,5	-	22
G90WP-B-M16-65	62	65	-	18
G90WP-B-M16-110	62	110	-	18
G90WP-B-M16-150	62	150	-	18
G90WP-B-M20-67	77	67	-	22
G90WP-B-M20-150	77	150	-	22

Table of contents

1001U	141	3006S	191
1002B	148	3006T11	186
1002M	141	3012-60-KNOB	206
1004ORNA	148	3012-POC	206
1005WP	149	3018LA	197
1034A2	138	3018LION	198
1034HDGA	137	3018MOD	196
1034ROLL-HDG	138	3019LA	197
1036	146	3020-HYB	105
1039SET	145	3025-HYB-BLIND-ALU	106
1040HDSM16	158	3025-HYB	105
1040TPSM12	158	3070-46	207
1041-01	158	3070-60	207
1127	146	3071	207
2005	60	3970LA	176
3006A-2	188	3970LS	176
3006B-2	189	3DM	149
3006B-H	193	3DW	159
3006B	190	4DFIX-I-12	142
3006C-2	189	4DFIX-I	142
3006C	189	4DW	159
3006CB	190	6403	197
3006D-2	189	ABK	172
3006D-H	193	ABL	172
3006D	191	AC-TRANS-12V-25W	60
3006FA	192	ARCO	43
3006FIX	184	B-MAG	53
3006G	192	B-SAFE	210
3006HOLD	184	BAR-A	185
3006I-H	194	BAR-I	185
3006I	192	BEARING HINGE	151
3006J-H	193	BOLTON-P	132
3006J	190	BOLTON-U	132
3006KR	184	BOLTONHD-4D	133
3006M-2	188	BOLTONHD-G	133
3006M-H	193	CARACAL	29
3006M	190	CGS	167
3006P	192	CLB-CARACAL	201
3006PAD-H	194	CLB-MAMMOTH	201
3006PAD	184	CLB-TIGER	201
3006PC	115	CLH	200
3006PULL	186	CONE	41
3006PUSH	186	CUBE	42
3006R-2	188	DC-ACCESS-12V-20W	60
3006R	191	DC-POWER-12V-20W	61
3006RB	191	DC-POWER-24V-25W	61



DINO	151	KLAUW12	141
DRILLFIX	177	KLAUW	142
DRILL HSS 15	176	LAKQH2	83
DURA	158	LAKQU2	71
DVK-HD	59	LAKQU3	72
DVK	58	LAKYF2	82
EGS	167	LAKZP1	84
EIGHTYLOCK	97	LAKZP1WSI	85
ELECTRADROP	163	LDKZD1	74
EXCENTRO	131	LEKQU2	80
FIFTYLOCK	95	LEONARDO	89
FIFTYSET	98	LFKQX1	79
FORTIMA	86	LGKZD1	91
FORTYLOCK	94	LIKQU2	81
FORTYSET	98	LION-VTC-DRILL	177
FREE VINCI	79	LION	24
G-ORNA-LR	147	LLKZV2	89
G-ORNA-WP	147	LMKQV2	78
G90LR	144	LNKQ (VOLTA)	77
G90WP	145	LOCK.GUIDE	196
G90Z	144	LOKQY2 (VALENTINO)	76
GAM12	157	LPKQU2	75
GATESTOP	209	LR	149
GATESWITCH	59	LSKZU2	90
GBM12-DP40	154	LUKYJ5	73
GBM12	154	MAG	47
GBM16-DP	155	MAGMAG	48
GBM16	155	MAGNUS	35
GBMU	137	MAGUNIT2500	54
GBMU4D	134	MAMMOTH-HD	21
GBMU4DSHIELD	134	MAMMOTH180	20
GRIP	143	MODULEC-SA	112
GRIP16-L	143	MODULEC-SF	124
GUARDIMA	87	MODULEC-SH	112
H-COMPACT	104	MRT-118	206
H-METAL-SET	103	MULTITOOL	176
H-METAL-WB	104	N-LINE-B-MAG-KIT	56
H-METAL	103	N-LINE-B-MAG	55
H-WOOD-SET	107	N-LINE-MAG-KIT-3000	51
H-WOOD	107	N-LINE-MAG	49
HEPTA	44	N-LINE-S-MAG	55
HWLB	106	NOSEHINGE-A	152
IN-GATE CATCHER	173	NOSEHINGE-I	152
INTRALEC	124	NOSTEP	203
KEYDROP	165	O-SET	117
KEYSAFE-QF	209	OGS	168
KIDLOC-2	188	PANTHER	22
KIDLOC	186	PB-1	58
KIK-114	206	PKSG2000	213

PKWB2000-EP	213	SLIMSTONE-2	38
PKWB2000	213	SLIMSTONE-X	38
POWERSTONE	60	SMKLQF	114
PS-GATECLOSERS	216	SPKZ-QF	116
PS-LION	217	SPKZ-TK	116
PS-RHINO	217	SSKZ QF	117
PS-TIGER	217	STKQF	118
PUMA	153	STR60 QF	118
PUSHBAR-H	187	SUBY	166
PUSHBAR-L	187	SWING40	153
QUICK-FIX	179	SWITCHSTONE-STD	61
RADIO	217	TC	211
RAIL-FIT	202	TCO-SCR	212
RHINO	25	TCO-STD	211
RHINODRILL	178	TCO-WLD	212
ROLLTOP	203	TCR	211
S-MAG	57	TIGER	19
SABO	168	TIGERDRILL	178
SAKLQF	113	TRICONE	45
SAMSON-2	23	TT-BM3S	66
SB	200	TT-CL2	67
SE	111	TT-DM3	66
SECUNUT	207	TT-FC2	67
SEH	111	TT-FO2	67
SERVAL	28	TT-MM3S	67
SF	115	TT-SDM4	66
SFKB	120	TT-SM4S	66
SFKI	121	TTEC	65
SFKM	122	TWIST40	88
SFKO-V	127	U-SAFE	210
SFKO	121	UNDER-GATE CATCHER	173
SFKP	120	UNILEC	123
SFKU-V	127	VALENTINO	76
SFKU	122	VENUS-ADAPTERPLATE	197
SH-KLQF	113	VENUS-ARM-A	36
SHELL-LION	198	VENUS-ARM-G	36
SHELL-RHINO-VTC	199	VENUS-ARM-S	36
SHIELD	195	VENUS-RAIL	202
SHIELDLINE	195	VENUS	37
SHKC	125	VERA	101
SHKM	126	VERTICLOSE-2-WALL	26
SHKW	126	VERTICLOSE-2	27
SHROUD-LA	183	VINCI	78
SHROUD-LF	183	VITA	102
SHROUD-LO	183	VOLTA	77
SHROUD-SA	182	VSA / VSF	164
SIXTYLOCK	96	WALL-FIX	179
SIXTYSET	98		
SKRZ	114		

LOCINOX HQ

Brabantstraat 107
8790 Waregem — Belgium
T. +32 (0)56 77 27 66

LOCINOX CEE

Irysowa 9
55-040 Bielany Wroctawskie — Poland
T. +48 (0)71 758 21 00

info@locinox.com
www.locinox.com



Product Catalogue - en-GB